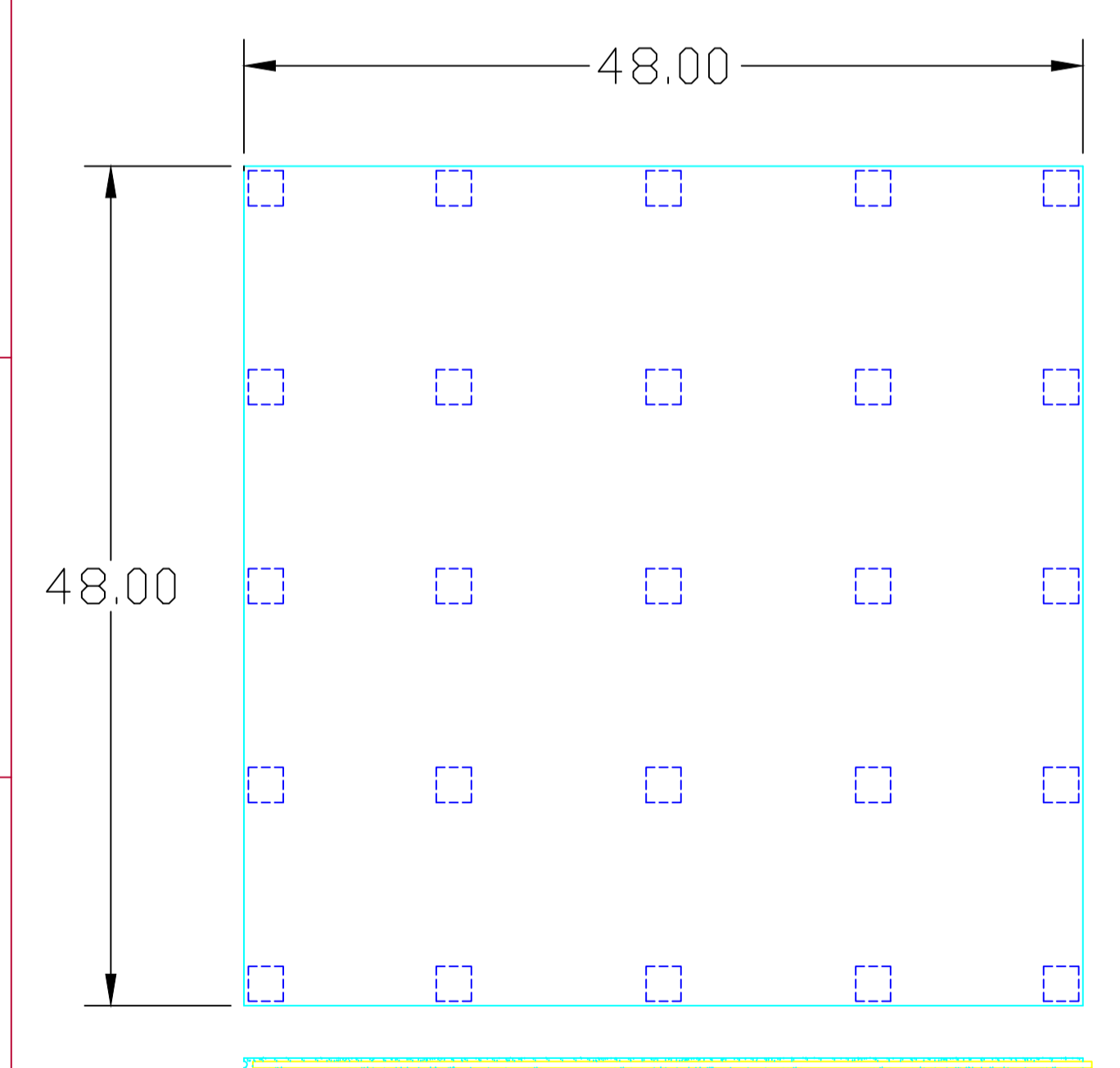


96" X 48" [2428 X 1219mm] PANEL



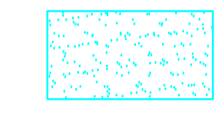
48" X 48" [1219 X 1219mm] PANEL

NOTES:

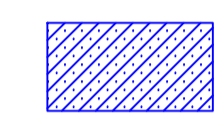
\* OVERALL FLOOR THICKNESS DEPENDS ON WHAT SURFACE IS USED.



CHOICE OF VINYL PERFORMANCE SURFACE: HARLEQUIN CASCADE .080", STUDIO .120", STANDFAST .120", FIESTA .080", STUDIO B .120", REVERSIBLE .050", REVERSIBLE PRO .060".

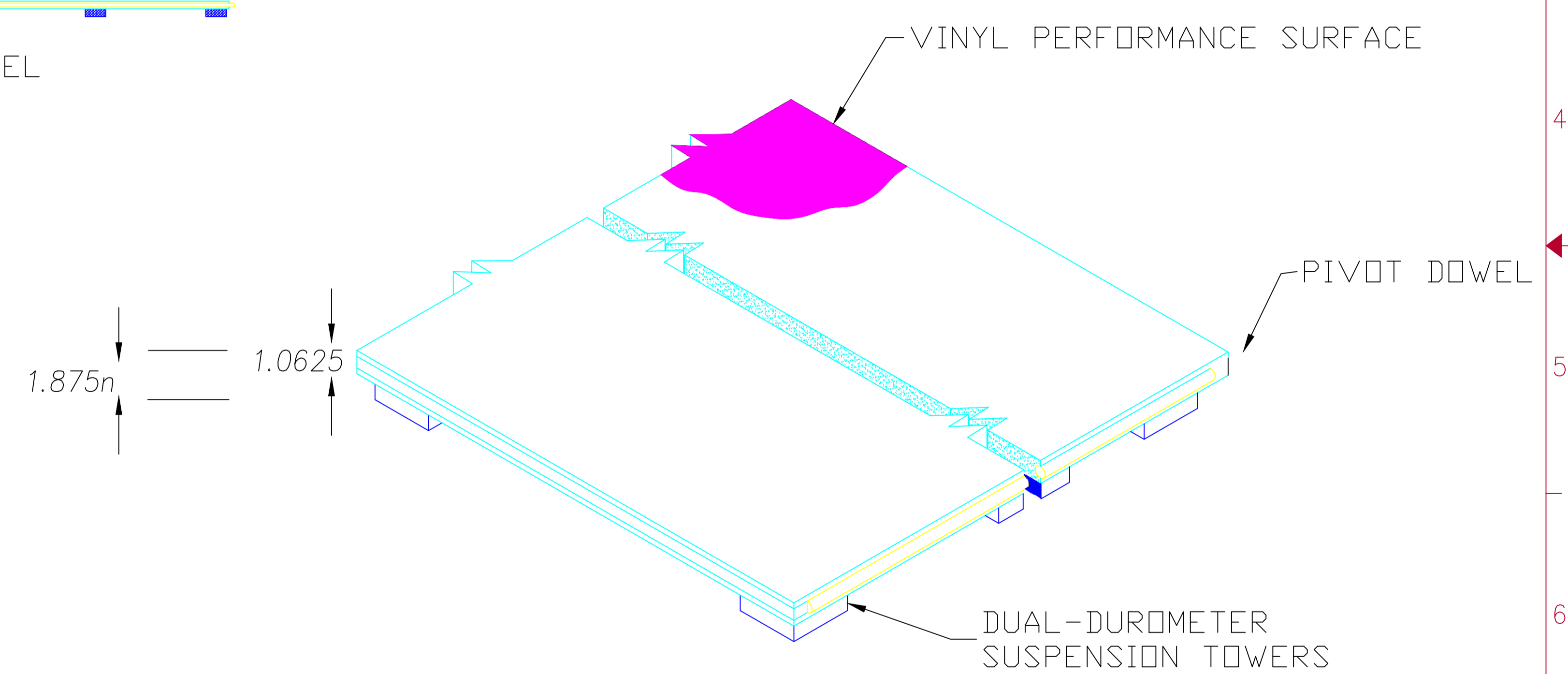


FIBER COMPOSITE PANEL 1 1/8" THICK



PROGRESSIVE RESISTANCE SUSPENSION: RUBBER SUSPENSION PADS, THICKNESS .75", DENSITY: PROPRIETARY.

DUAL-DUROMETER SUSPENSION TOWERS (REF)



ISOMETRIC CUTAWAY VIEW OF FLOOR PANEL

AMERICAN HARLEQUIN CORPORATION 1531 GLEN AVENUE MOORESTOWN, NJ 08057 856-234-5505 FAX: 856-231-4403 contact@harlequinfloors.com www.harlequinfloors.com		
DRAWING TITLE: HARLEQUIN AERODECK®		
DRAWING NUMBER: C-401	SCALE 12"=1'-0"	REV. 0