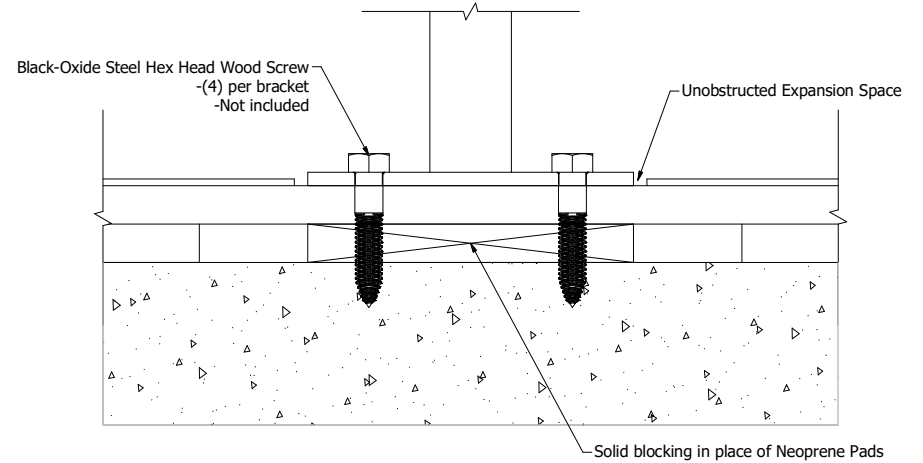


DETAIL B  
SCALE 2



Fixing Detail



# HARLEQUIN

**IMPORTANT:**  
THE INFORMATION CONTAINED  
IN THIS DOCUMENT IS  
PROPRIETARY AND  
CONFIDENTIAL AND MAY NOT  
BE DISTRIBUTED OR  
REPRODUCED WITHOUT THE  
EXPRESSED WRITTEN  
CONSENT OF HARLEQUIN  
FLOORS.

DRAWN BY:  
**Adam Drill**

HQN:

DATE:

PROJECT:

TITLE:

**Surface Single Bracket**