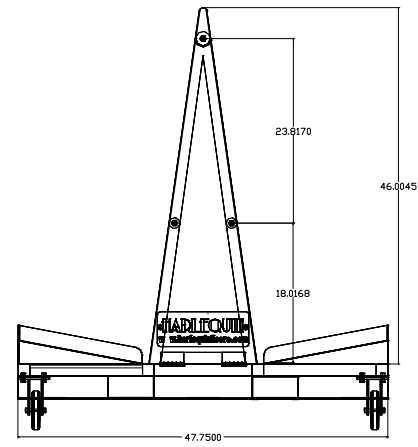
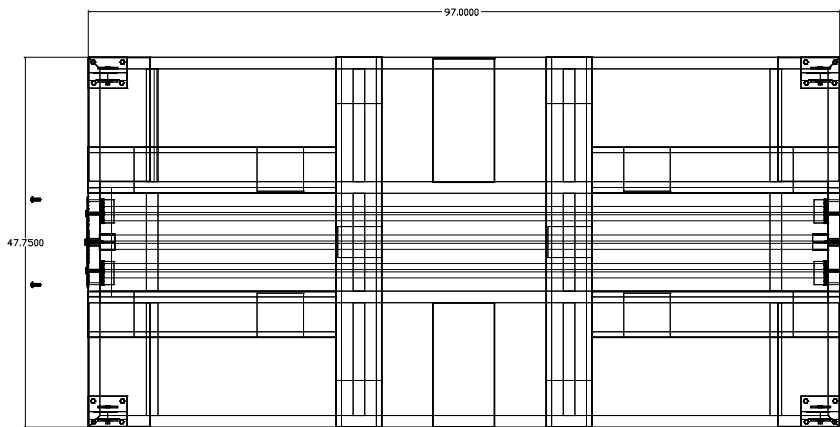
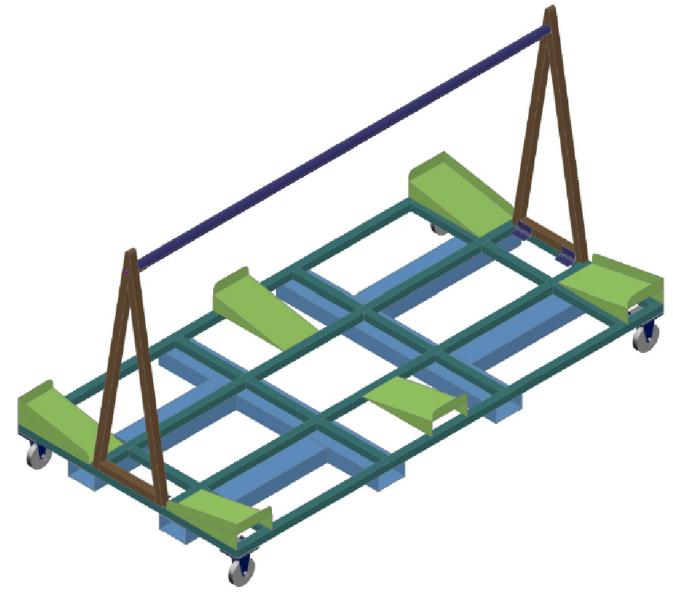


NOTE DIMENSION AS PER REQUIREMENT



HARLEQUIN CART	Material
Drawing Number	Finish
Item Number	p.c
Customer	Weight
	Date 8-11-2011
Description A-Frame	