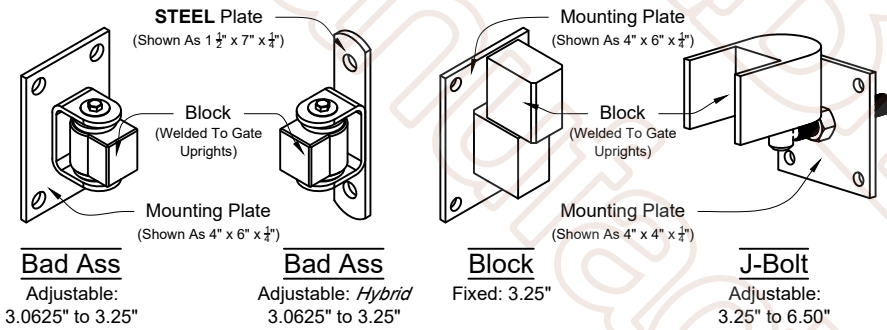
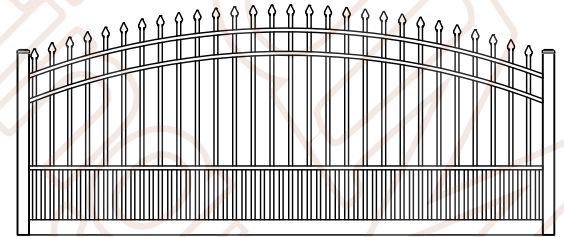
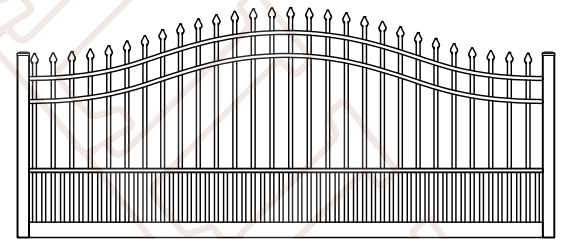
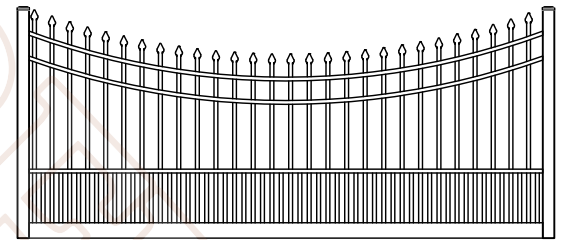


A
01 **Abigail Single Estate Gate**
Shown As Industrial Series Scale: NTS
*Displayed As Standard



A
02 **Estate Hinges Options**
To Fit 4" & 6" Post Scale: NTS
*Standard Deduction Is 3/4" For These Hinges



GATE OPENING	End Uprights	Bottom Member	Corner Gussets	Truss Cables
*6'-0 1/2" to 11'-11 1/2"	2" x 3" x 1/8"	2" x 3" x 1/8"	NONE	NONE
12'-0" to 13'-11 1/2"	2" x 3" x 1/8"	2" x 4" x 1/8"	Yes	NONE
14'-0" to 16'-0"	2" x 3" x 1/8"	2" x 6" x 1/8"	Yes	Yes
16'-0 1/2" to 20'-0"	2" x 3" x 1/8"	Custom	NONE	NONE

*Any gate opening under 6'-0 1/2", will require a Estate Gate upcharge for listed specifications.

A
03 **Material Specification Chart**
Single Swing Estate Gate

A
04 **Arch Options**
All Considered Standard Scale: NTS
*Arch Follows 1" Of Rise For Every Foot Of Opening

Abigail Single Estate Gate
4 Rail - Industrial Series - Puppy Picket
(Standard Gate With The Optional Puppy Picket)

4-Rail System Required For Gates Starting At 7'-0" High

Checked By: Antebellum Order #: _____
Drawn By: J. Mixon Drawn Date: 9-Dec-25



DO NOT SCALE DRAWING. FOR DIMENSIONS NOT SHOWN CONTACT PLAN COORDINATOR FOR CLARIFICATION
2399 NW 35th St, Ocala, FL 34475
Ph: 352.877.3888
Em: Info@AntebellumMFG.Com

DRAWING NOTES:

We kindly ask that you do not scale directly from the drawings. We recommend consulting our Fence and Gate Style Sheet for further options. Please be aware that while additional gate hardware is available, its use may impact the clearances for hinges and latches.

Customer Signature: _____