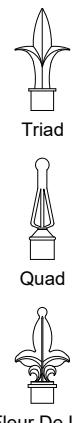
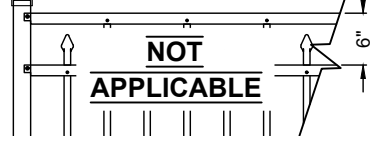


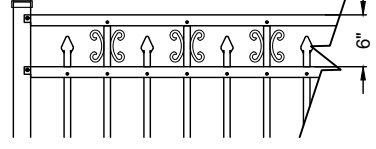
**Finials**



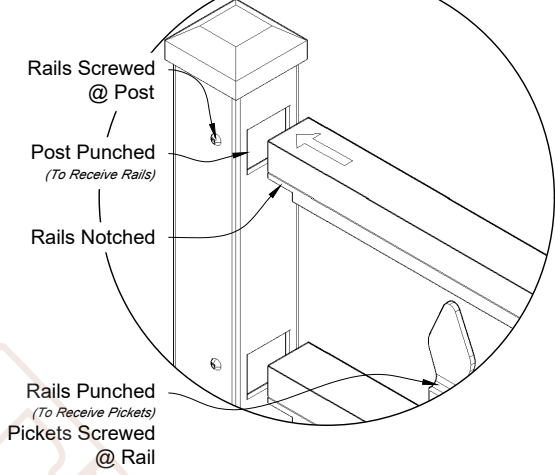
**Rings**



**Butterfly Scrolls**

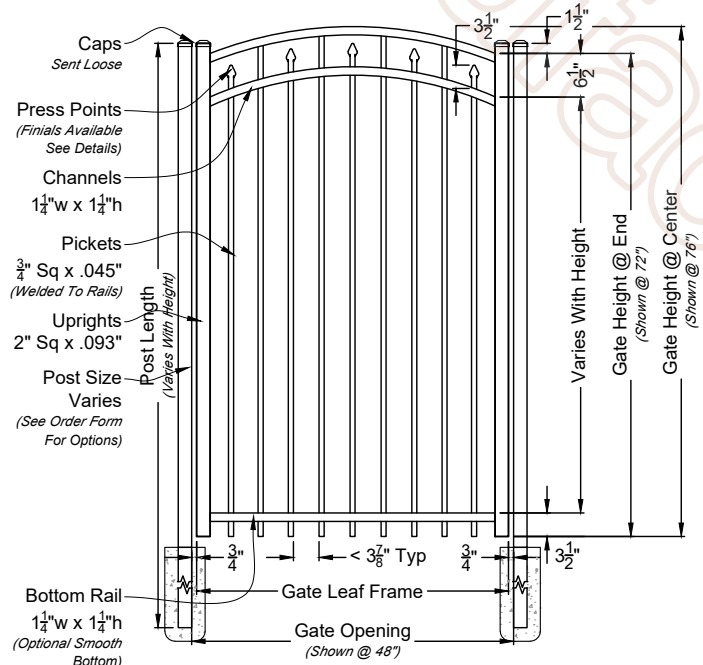


**Detail A**

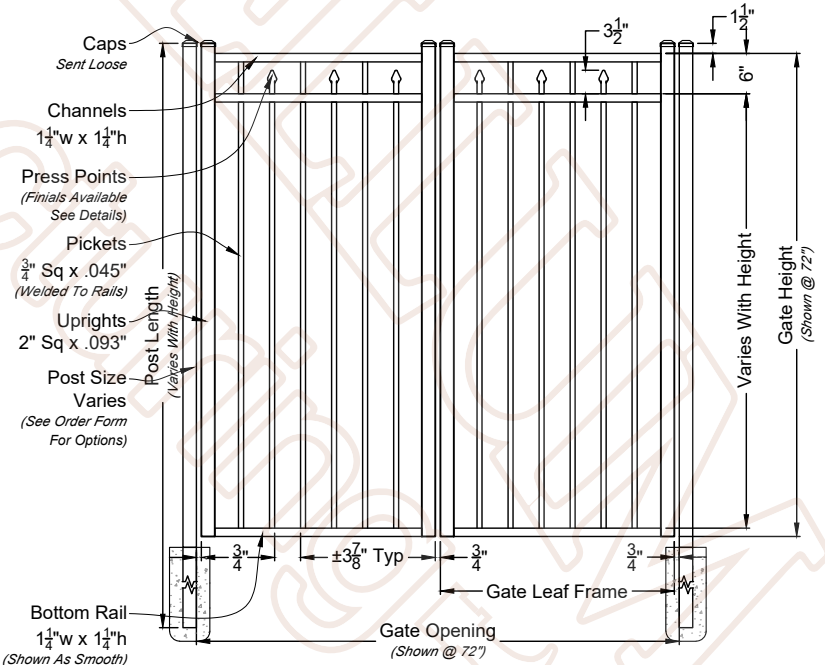


**A** 01 **Ella Marie 6ft Wide Fence Panel**  
 Shown As Commercial Series Scale: NTS  
 \*Displayed As Rake Bottom; Also Available As Smooth Bottom

**Matching Gate Options**



**A** 02 **Ella Marie Single Walk Gate**  
 Shown with Arched Rail Option Scale: NTS  
 \*Displayed As Rake Bottom; Also Available As Smooth Bottom



**A** 03 **Ella Marie Double Walk Gate**  
 Shown With Straight Rail Option Scale: NTS  
 \*Displayed As Smooth Bottom; Also Available As Rake Bottom

**Ella Marie Fence & Gate**  
**3 Rail - Commercial Series**  
 (Standard Panel)



DO NOT SCALE DRAWING; FOR DIMENSIONS NOT SHOWN CONTACT PLAN COORDINATOR FOR CLARIFICATION  
 2399 NW 35th St, Ocala, FL 34475  
 Ph: 352.877.3888  
 Em: Info@AntebellumMFG.Com

**DRAWING NOTES:**

We kindly ask that you do not scale directly from the drawings. We recommend consulting our Fence and Gate Style Sheet for further options. Please be aware that while additional gate hardware is available, its use may impact the clearances for hinges and latches.

3-Rail System Designed For Panels Up To 6'-0" Height  
 Checked By: Antebellum Order #: \_\_\_\_\_  
 Drawn By: J. Mixon Drawn Date: 12-Aug-25

Customer Signature: \_\_\_\_\_