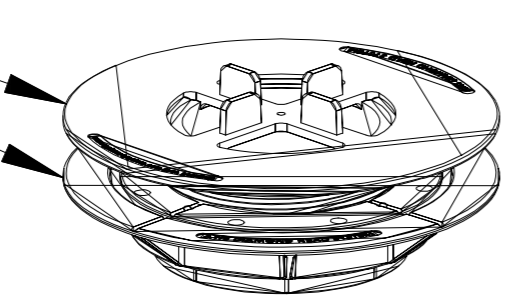
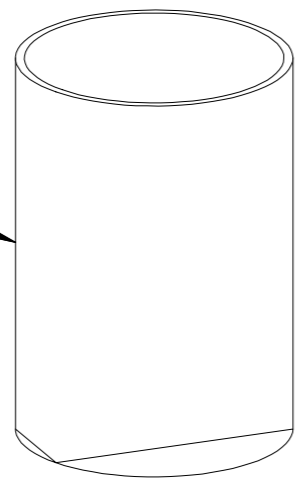


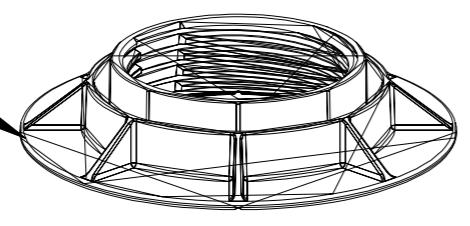
Adjustable Top Cap Assembly:
Top Cap
Base Cap



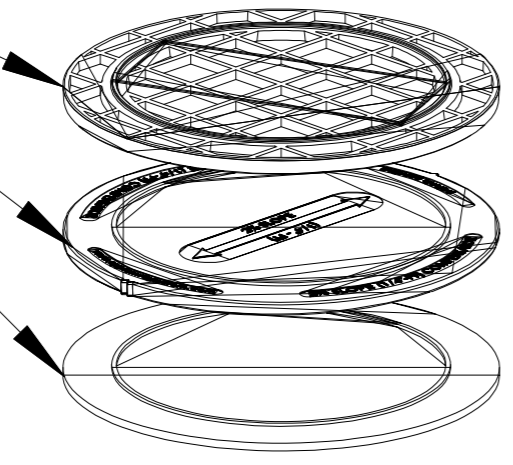
PVC, SDR35, 4" ID



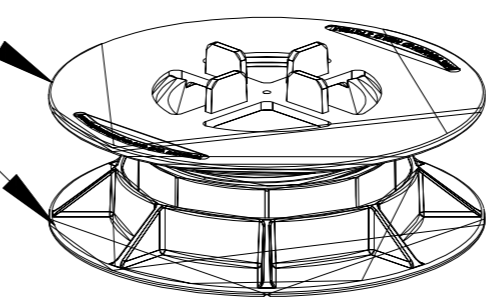
Base Cap



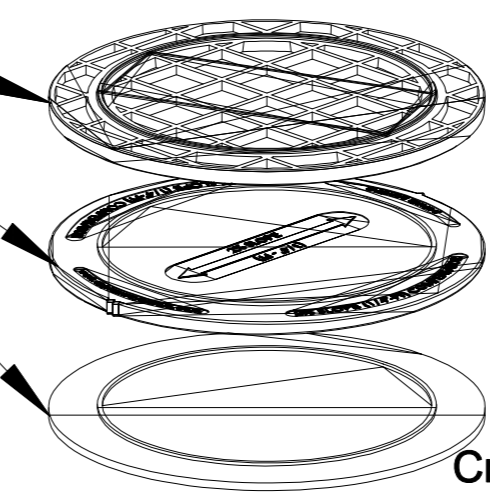
Accessories:
Bottom Shim, 1/4"
Slope Comensator, 2%
Buffer Pad, 1/8"



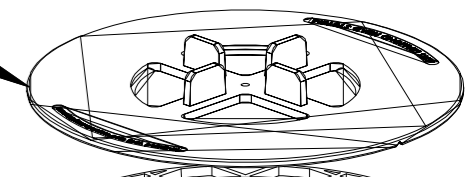
Adjustable Assembly:
Top Cap
Base Cap



Accessories:
Bottom Shim, 1/4"
Slope Comensator, 2%
Buffer Pad, 1/8"



Low Profile Plate



Accessories:
Bottom Shim, 1/4"
Slope Comensator, 2%
Buffer Pad, 1/8"

