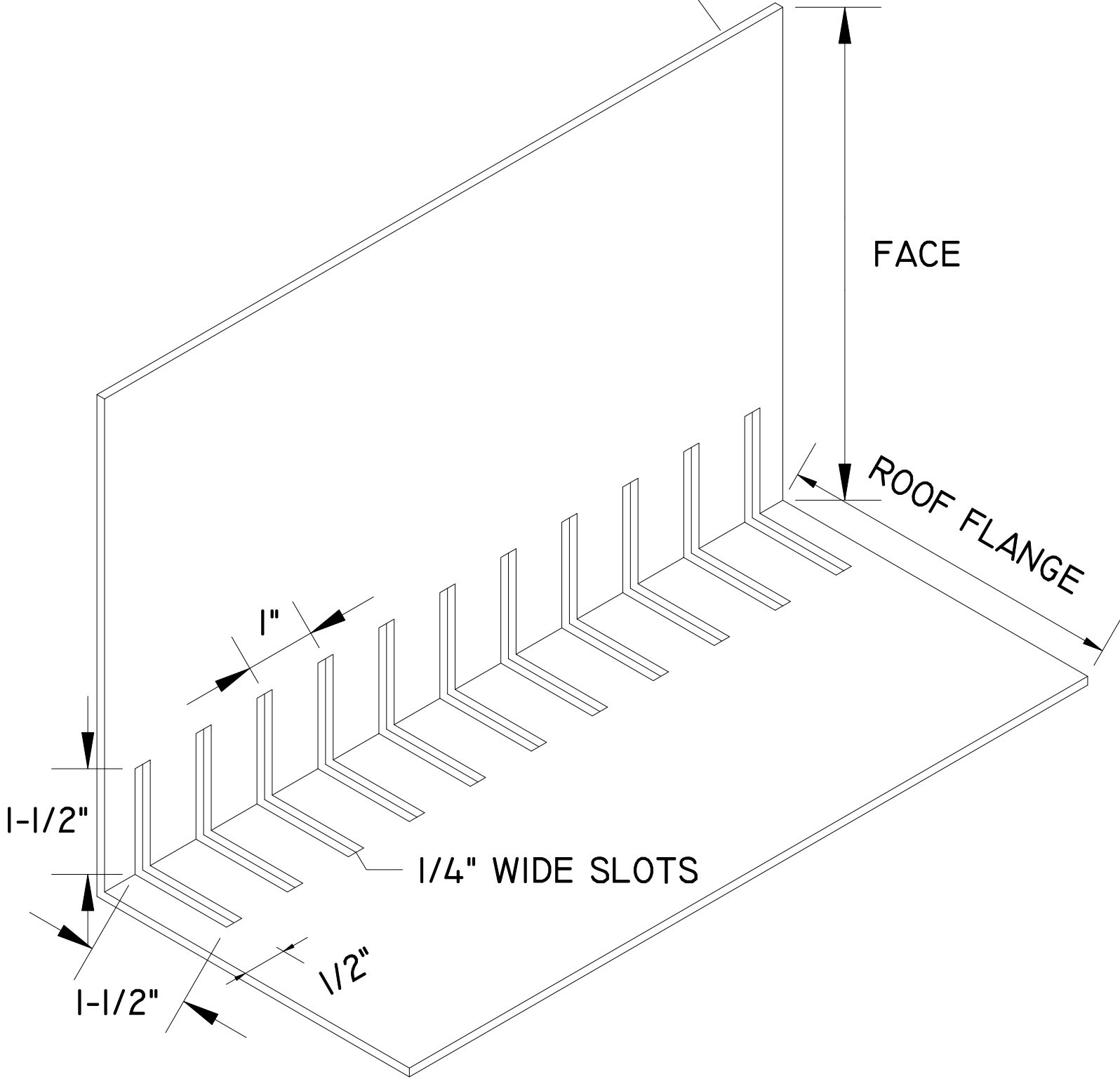


.125" ALUM. EDGE RESTRAINT ANGLE



ALUMINUM EDGE RESTRAINT DETAIL

(FOR VEGETATIVE ROOFS)