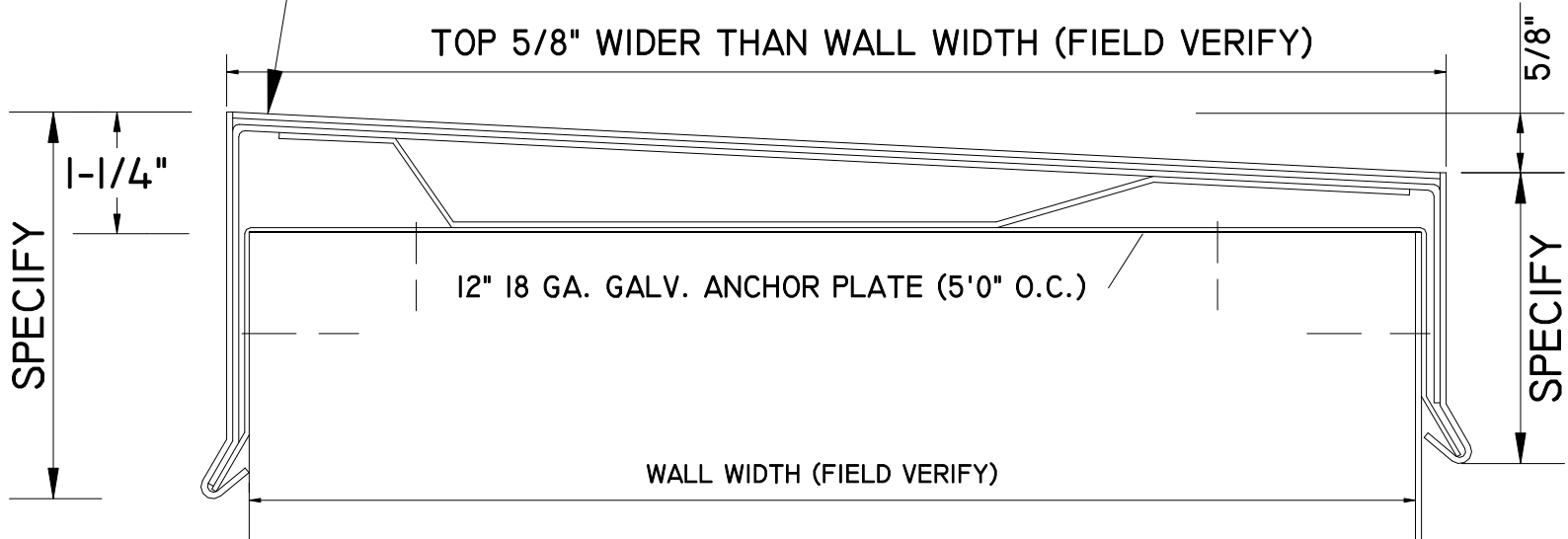


CURVED ALUM. SNAP-TIGHT COPING W/ 8" CONCEALED JOINT COVER PLATES  
W/ 4 STRIPS OF 1/16" X 3/8" UNCURED BUTYL STRIPS (FIELD APPLY)

TOP 5/8" WIDER THAN WALL WIDTH (FIELD VERIFY)



AP CURVED SNAP-TIGHT COPING