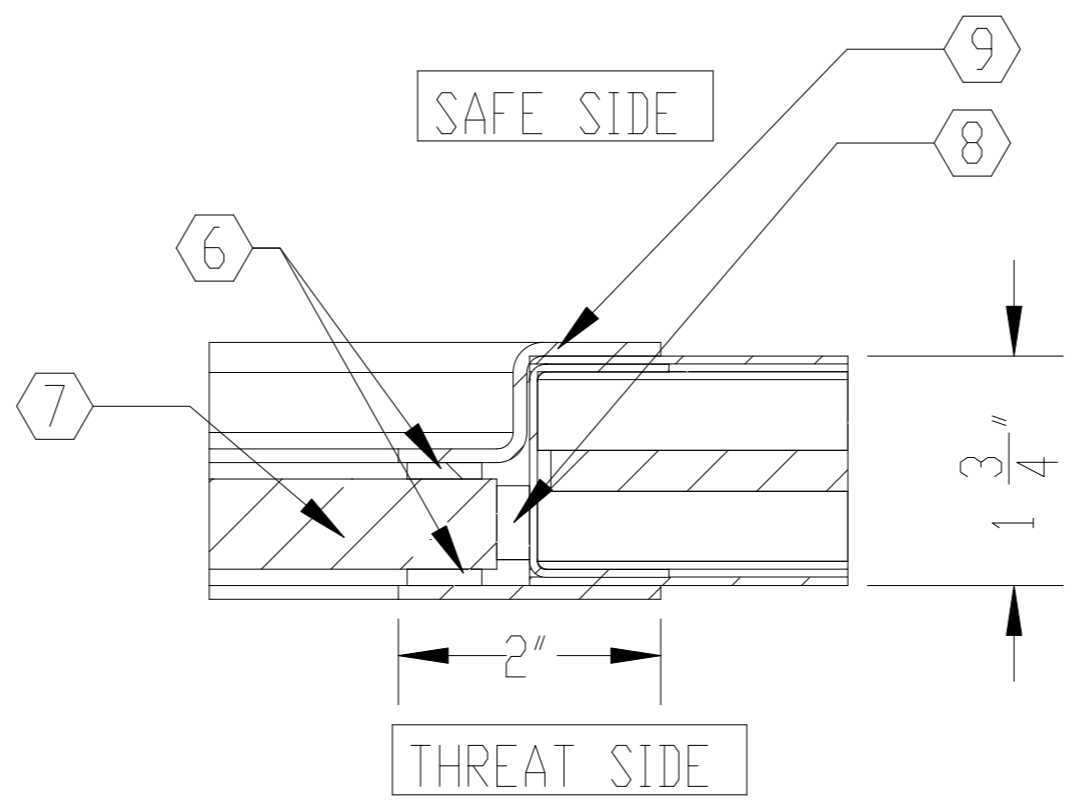
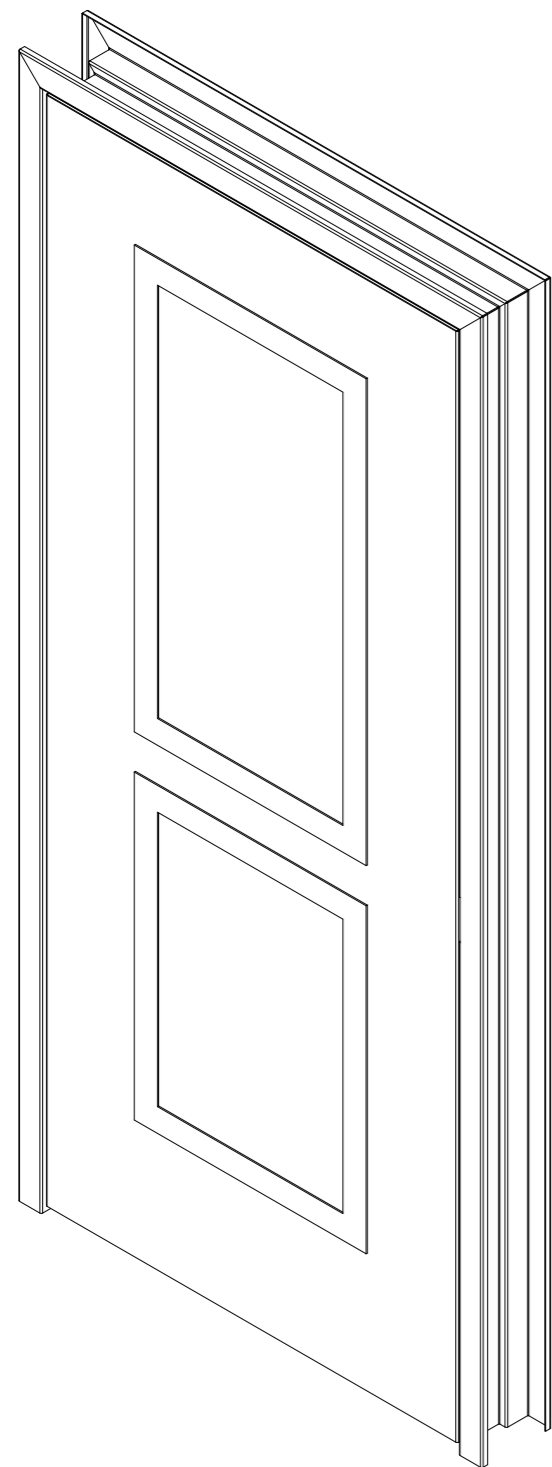
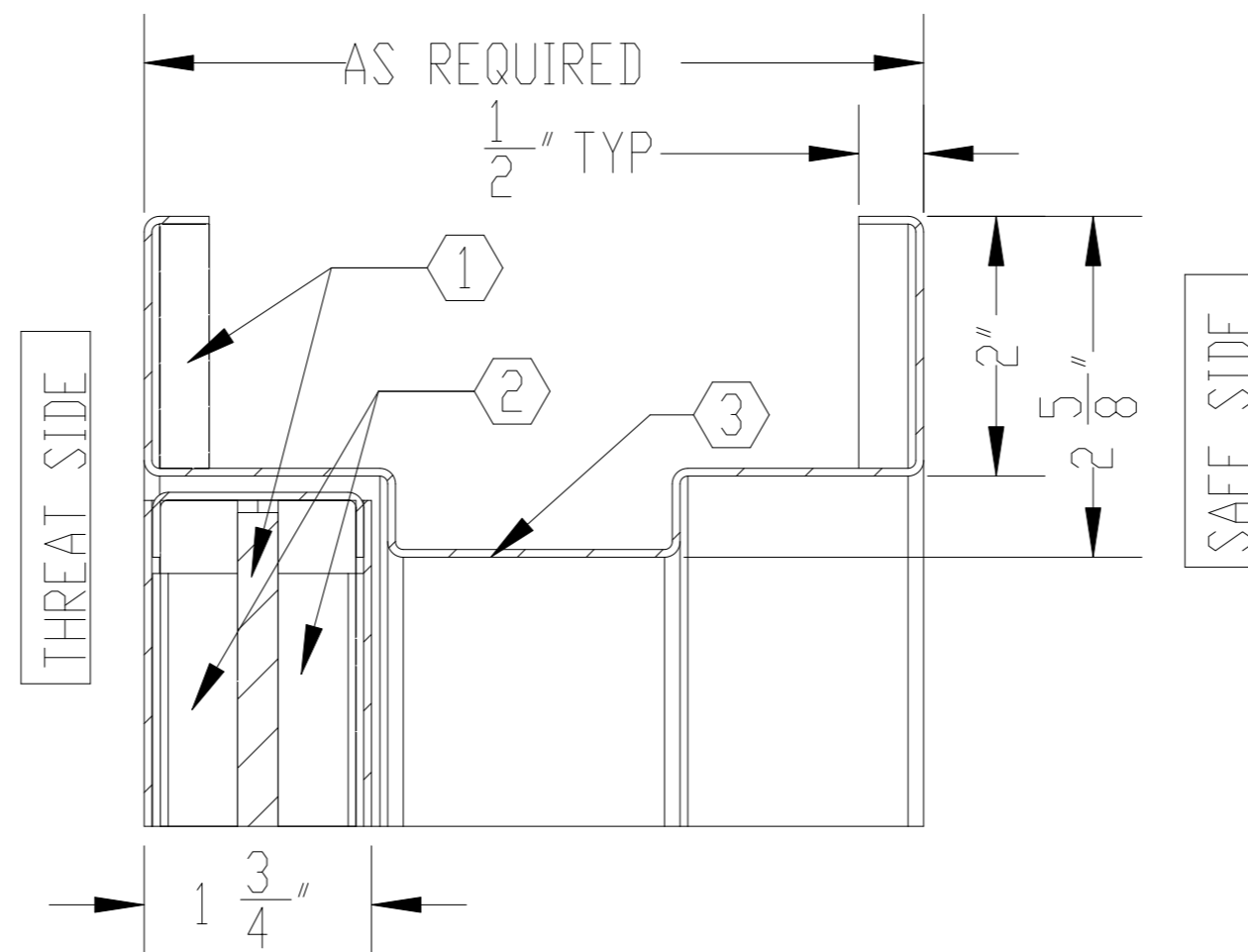


NOTES:

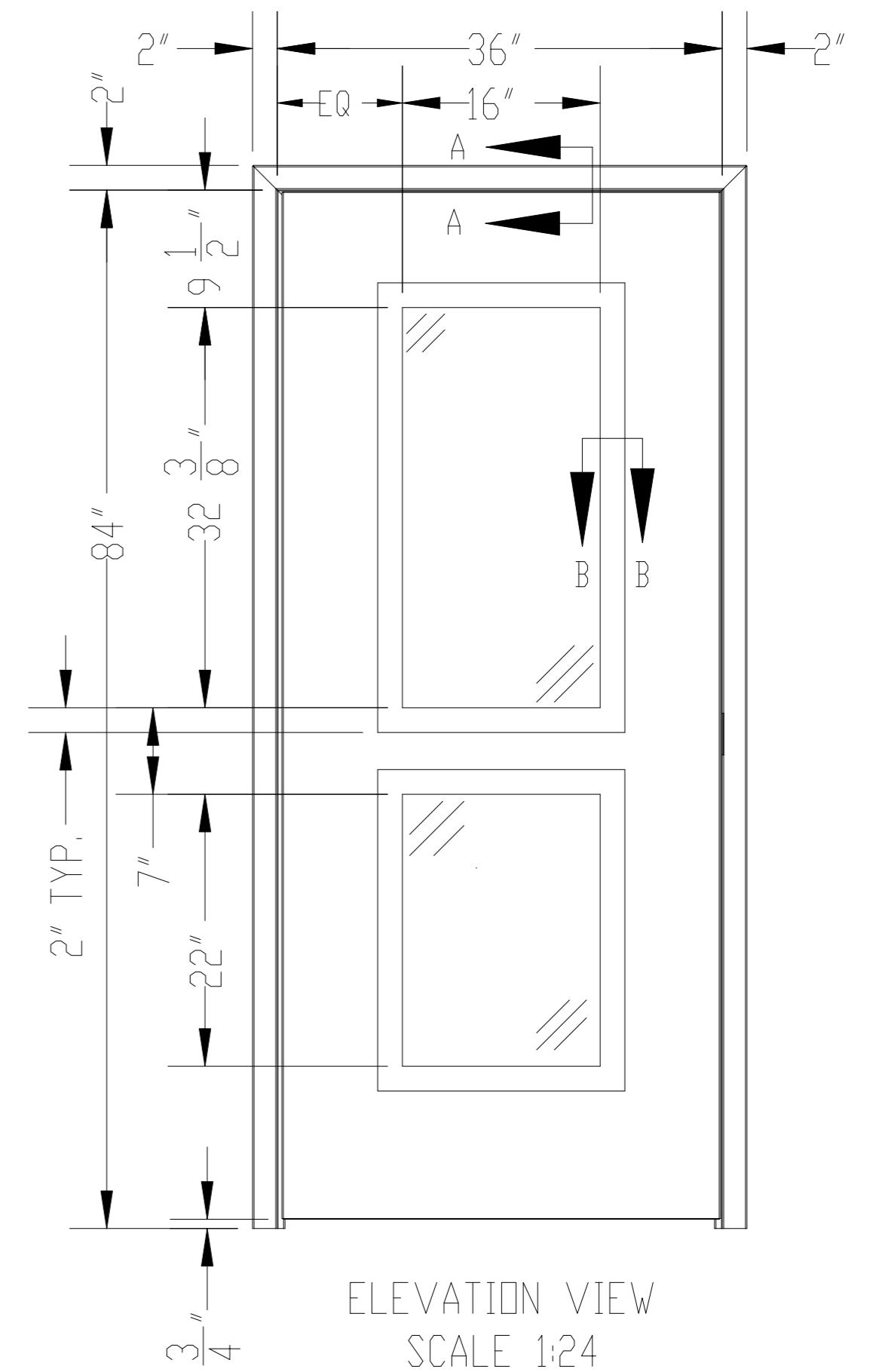
- ① ARMORTEX[®] BULLET RESISTANT ARMOR
- ② FOAMED INSULATION
- ③ 16 GA. PRIME PAINTED STEEL DOOR AND FRAME
- ④ CONTINUOUS GEAR HINGE (NOT SHOWN)
- ⑤ HARDWARE PREPARATION AS REQUIRED (NOT SHOWN)
- ⑥ GLAZING TAPE
- ⑦ BULLET RESISTANT GLAZING
- ⑧ NEOPRENE SETING BLOCK
- ⑨ LITE KIT



SECTION B-B
SCALE 1 : 3



SECTION A-A
SCALE 1 : 3



ELEVATION VIEW
SCALE 1:24

| | | | |
|----------------------|---|--|---|
| SCALE: AS NOTED | TITLE: HOLLOW METAL DOUBLE LITE DOOR | UNLESS OTHERWISE SPECIFIED: DIMENSIONS ARE IN INCHES TOLERANCES: FRACTIONAL ±1/16" ANGULAR: ±1° TWO PLACE DECIMAL ±.01 THREE PLACE DECIMAL ±.005 | ARMORTEX [®] BULLET • BLAST • FORCED ENTRY - PROTECTION PRODUCTS 5926 CORRIDOR PKWY SCHERTZ, TX 78154 TEL: 210-661-8306 800-880-8306 FAX: 210-661-8308 www.armortex.com |
| DATE: 05-27-2015 | MODEL: DR-HM-DL-DB | | |
| DRAWN BY: M. FREEMAN | SHEET NUMBER: 1 OF 1 | | |