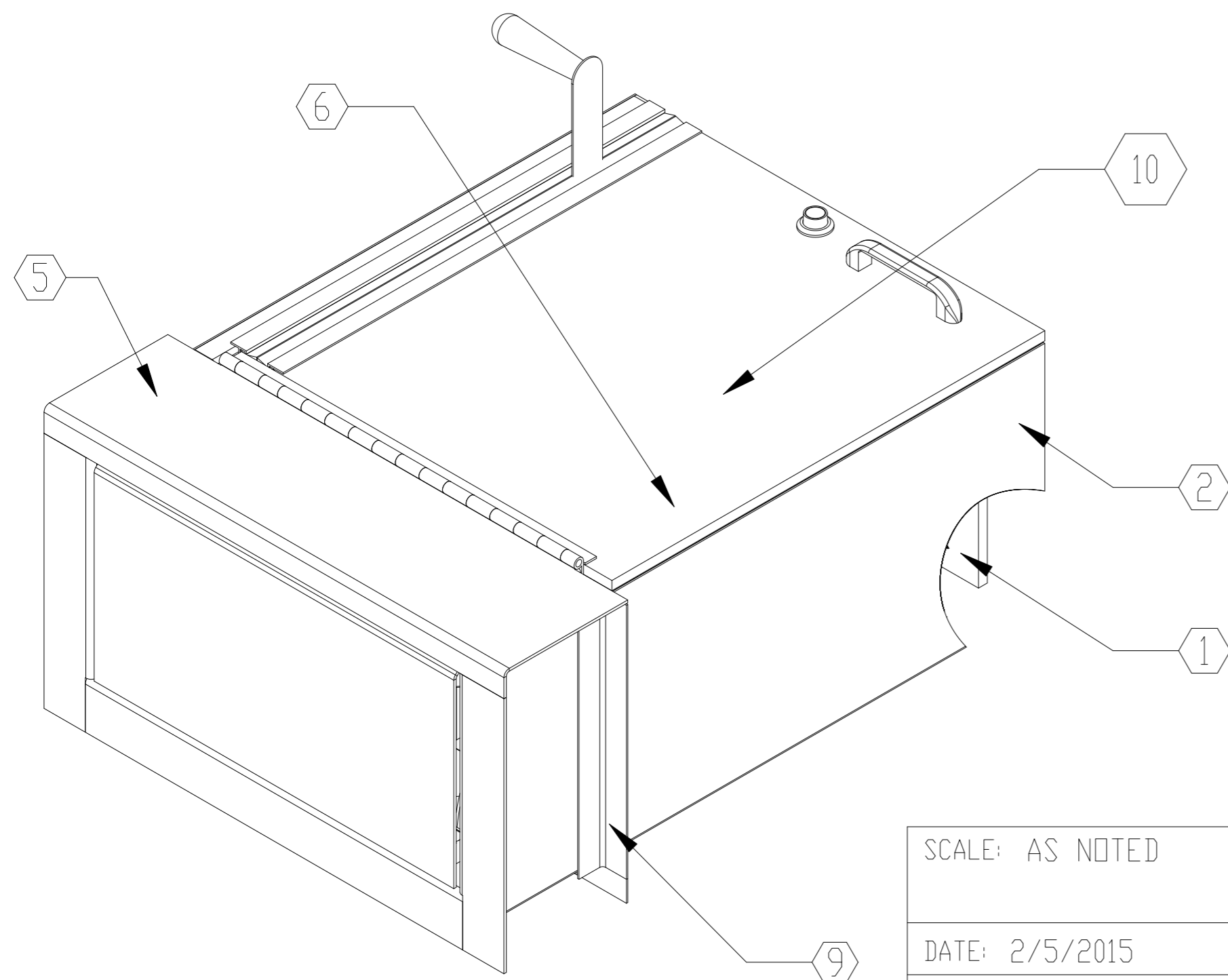
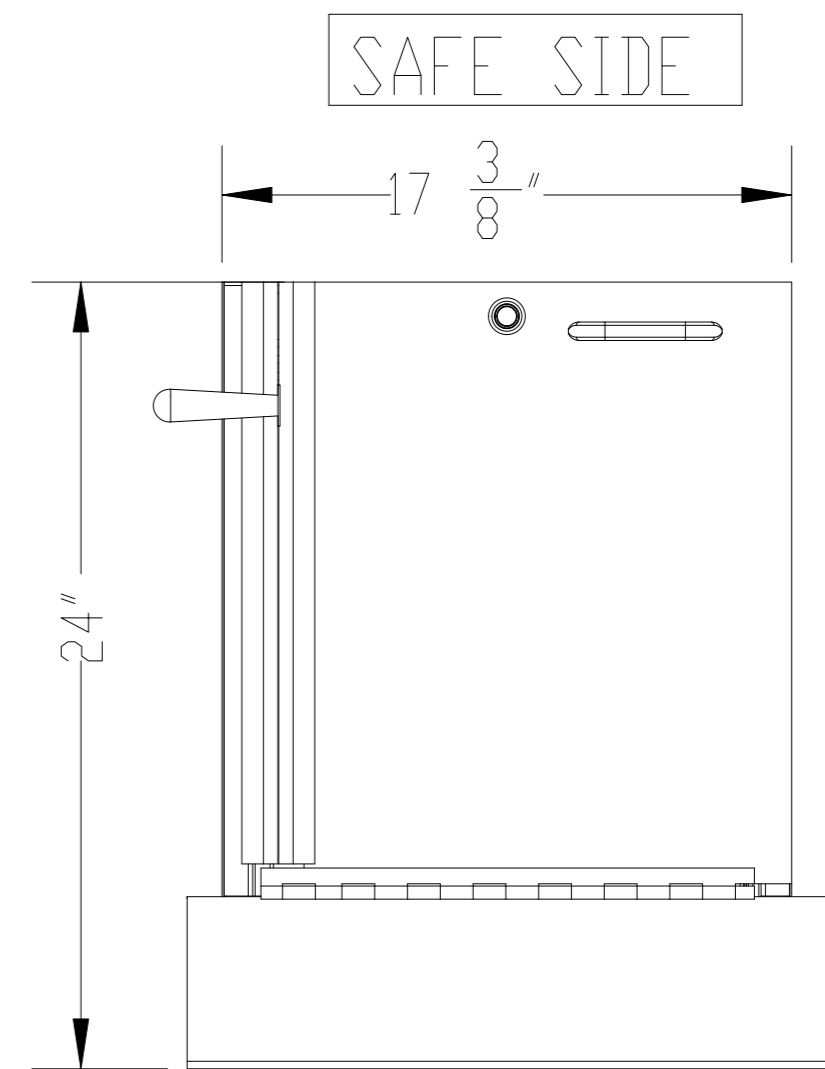
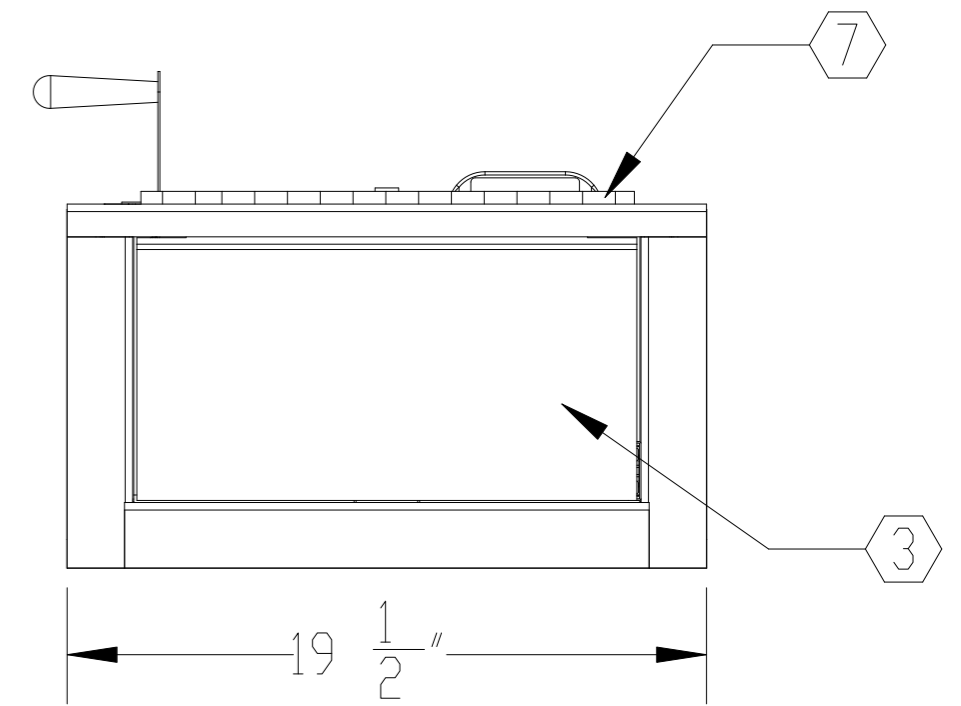
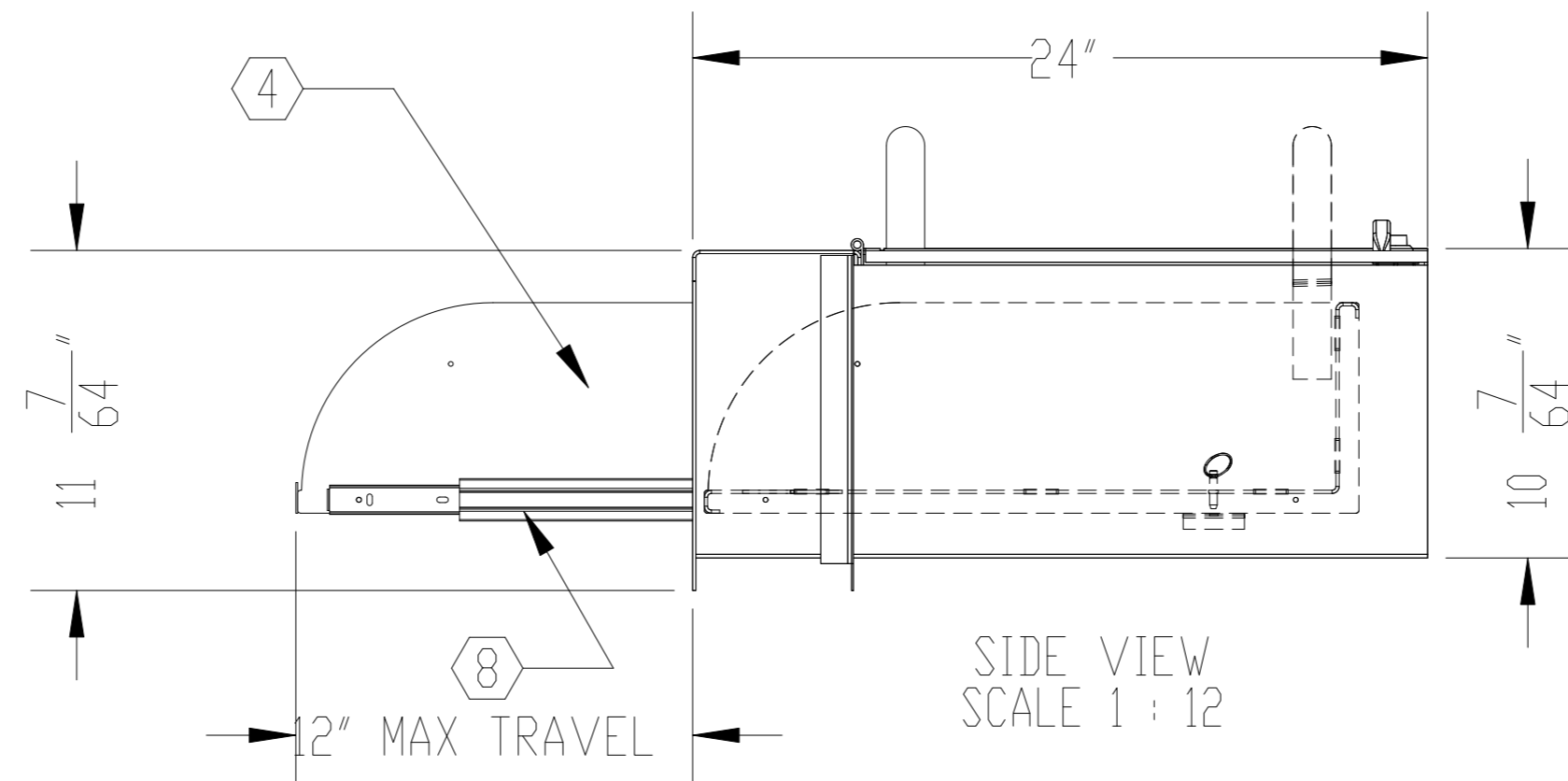


NOTES:

- ① ARMORTEX BULLET RESISTANT COMPOSITES
- ② STAINLESS STEEL CASE
- ③ 12 GA. STAINLESS STEEL DOOR FRONT
- ④ 12 GA. STAINLESS STEEL DRAWER
- ⑤ STAINLESS STEEL HOOD
- ⑥ DROP BOLT LOCK
- ⑦ STAINLESS STEEL HINGE
- ⑧ SLIDING DRAWER TRACKS
- ⑨ 3 SIDED ADJUSTABLE MOUNTING FLANGE
- ⑩ TRANSPARENT LID WITH LOCKING LATCH / PULL



SCALE: AS NOTED	TITLE: TRANSACTION DRAWER SS-1724	UNLESS OTHERWISE SPECIFIED: DIMENSIONS ARE IN INCHES TOLERANCES: FRACTIONAL ±1/16" ANGULAR: ±1° TWO PLACE DECIMAL ±.01 THREE PLACE DECIMAL ±.005	ARMORTEX [®] BULLET • BLAST • FORCED ENTRY - PROTECTION PRODUCTS 5926 CORRIDOR PKWY SCHERTZ, TX 78154 TEL: 210-661-8306 800-880-8306 FAX: 210-661-8308 www.armortex.com
DATE: 2/5/2015	MODEL: TE-DA-17-24		
DRAWN BY: M. FREEMAN	SHEET NUMBER: 1 OF 1		