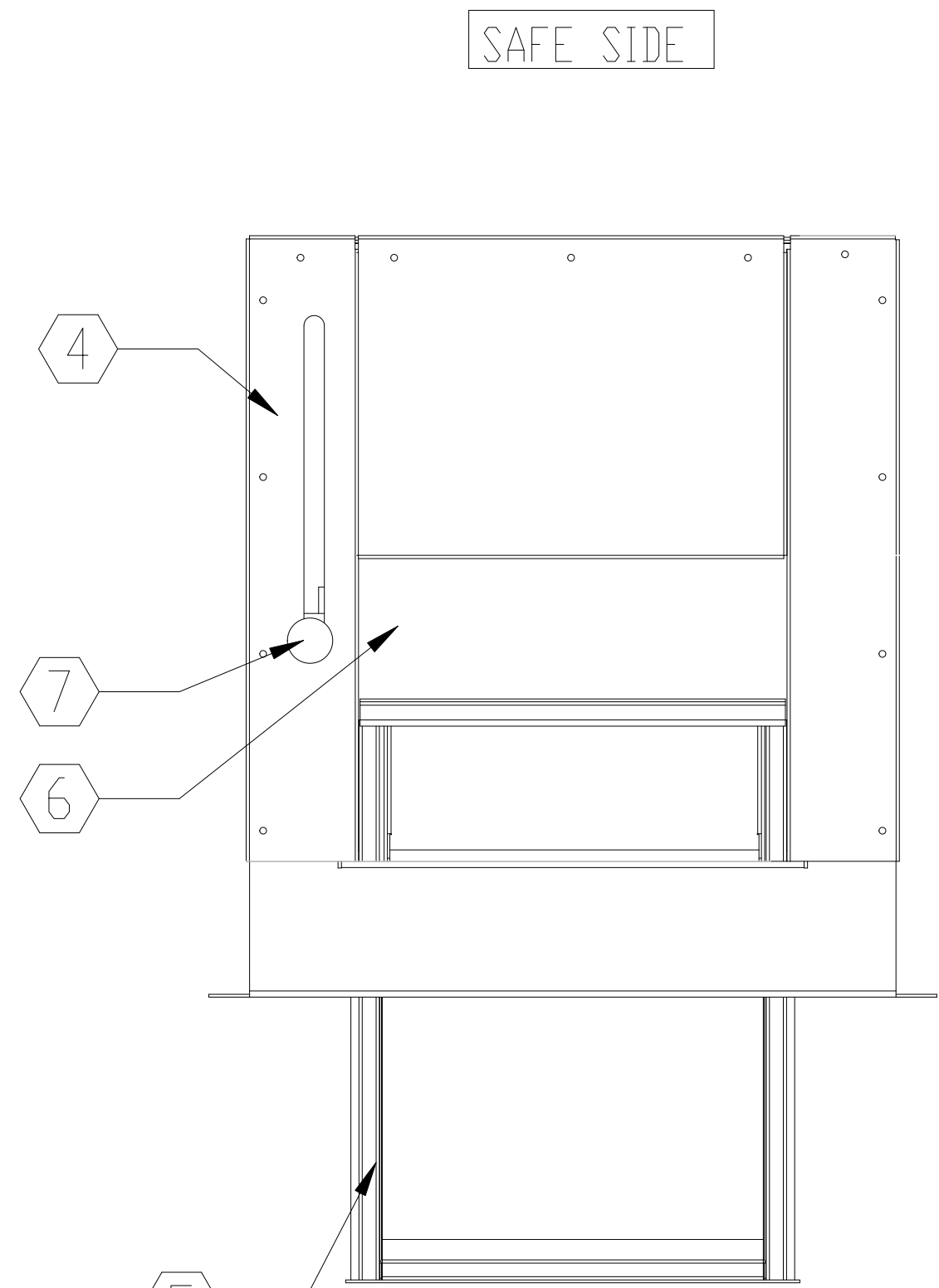
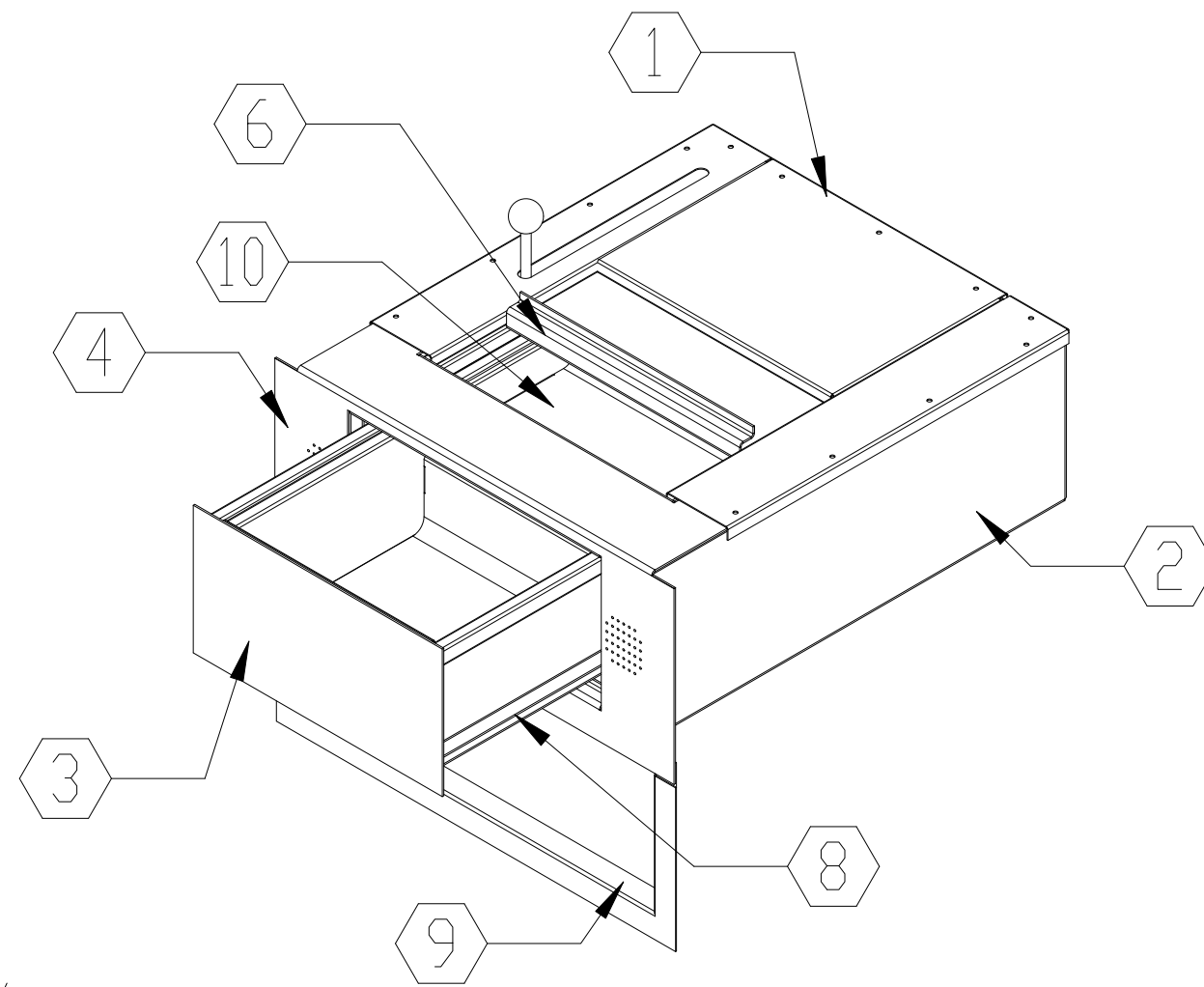
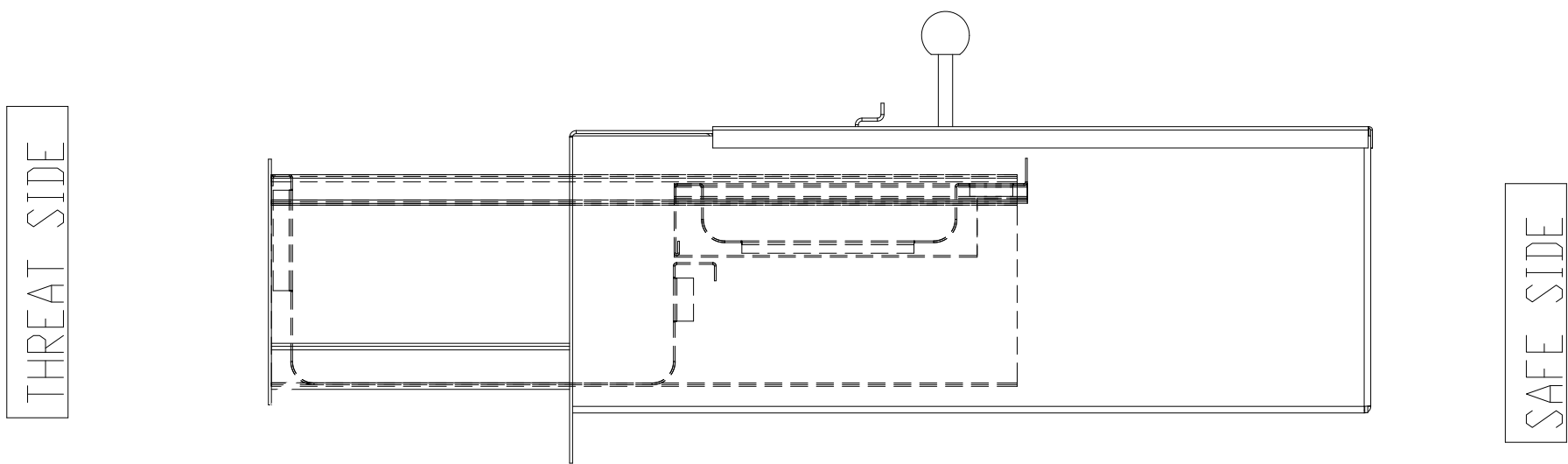


NOTES:

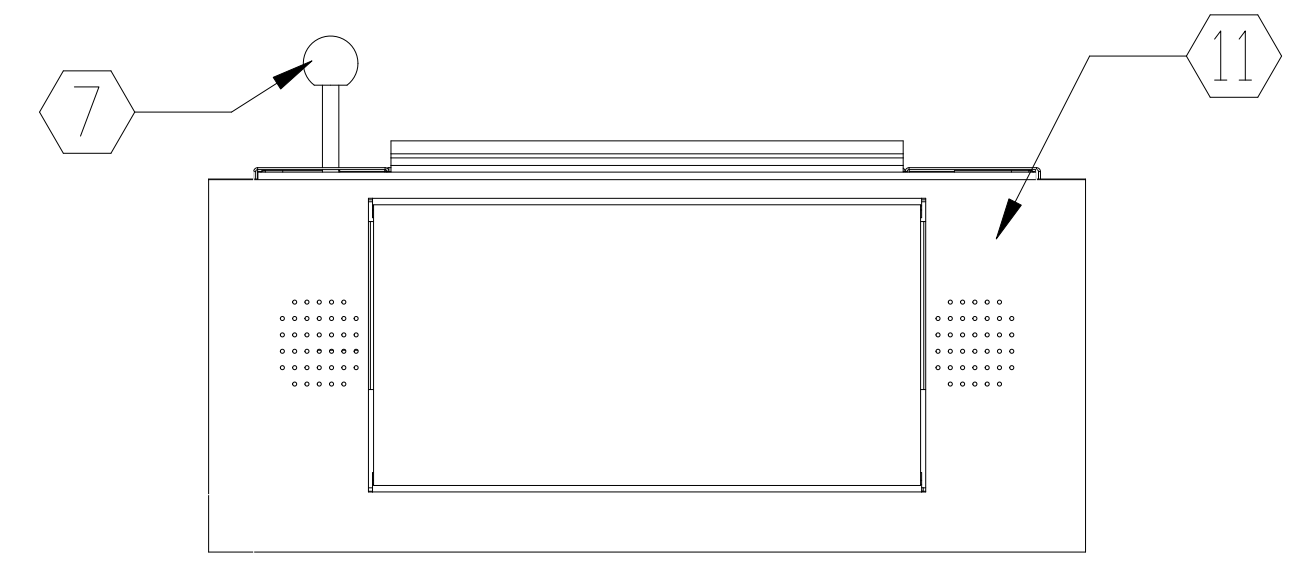
- ① UL LISTED ARMORTEX<sup>®</sup> BULLET RESISTANT COMPOSITES
- ② 16 GA. PRIME PAINTED STEEL CASE
- ③ STAINLESS STEEL DRAWER FRONT
- ④ STAINLESS STEEL TOP AND FRONT
- ⑤ STAINLESS STEEL DRAWER
- ⑥ STAINLESS STEEL SLIDING DRAWER COVER
- ⑦ ACTUATING HANDLE
- ⑧ SLIDING DRAWER TRACKS
- ⑨ 3-SIDED ADJUSTABLE MOUNTING FRAME
- ⑩ 16 GA STAINLESS STEEL SLIDING DEALTRAY
- ⑪ PERFORATED STAINLESS STEEL PANEL (SPEAKER / MIC. OPTIONAL)



THREAT SIDE  
TOP VIEW  
SCALE 1:12



THREAT SIDE  
SIDE VIEW  
SCALE 1:12



SAFE SIDE  
FRONT VIEW  
SCALE 1:12

SCALE: AS NOTED	TITLE: TRANSACTION DRAWER 6003	UNLESS OTHERWISE SPECIFIED: DIMENSIONS ARE IN INCHES TOLERANCES: FRACTIONAL ±1/16" ANGULAR: ±1° TWO PLACE DECIMAL ±.01 THREE PLACE DECIMAL ±.005	<b>ARMORTEX</b> <sup>®</sup> BULLET • BLAST • FORCED ENTRY - PROTECTION PRODUCTS 5926 CORRIDOR PKWY SCHERTZ, TX 78154 TEL: 210-661-8306 800-880-8306 FAX: 210-661-8308 www.armortex.com
DATE: 06-26-2015	MODEL: TE-DA-60-03		
DRAWN BY: M. FREEMAN	SHEET NUMBER: 1 OF 1		