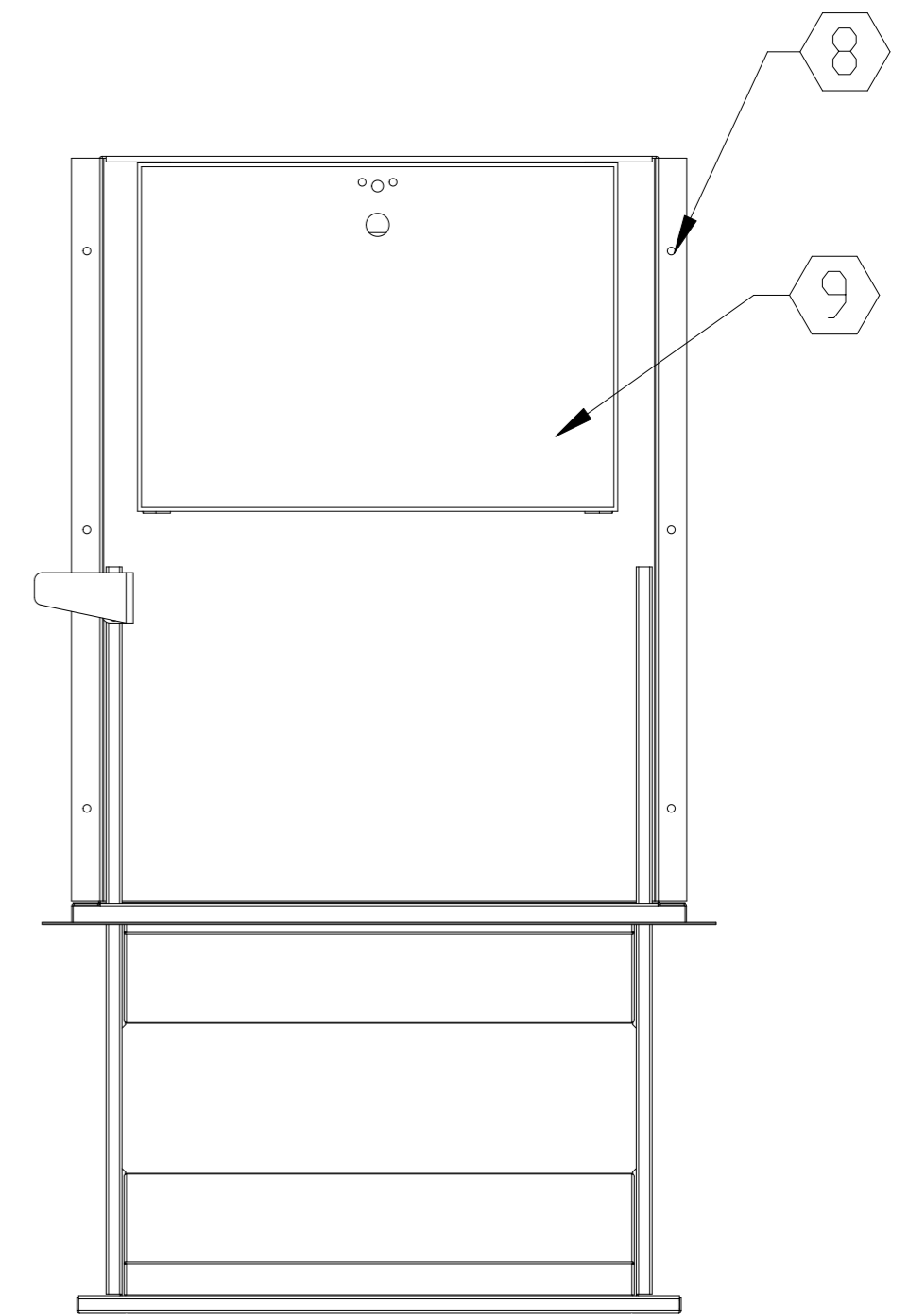
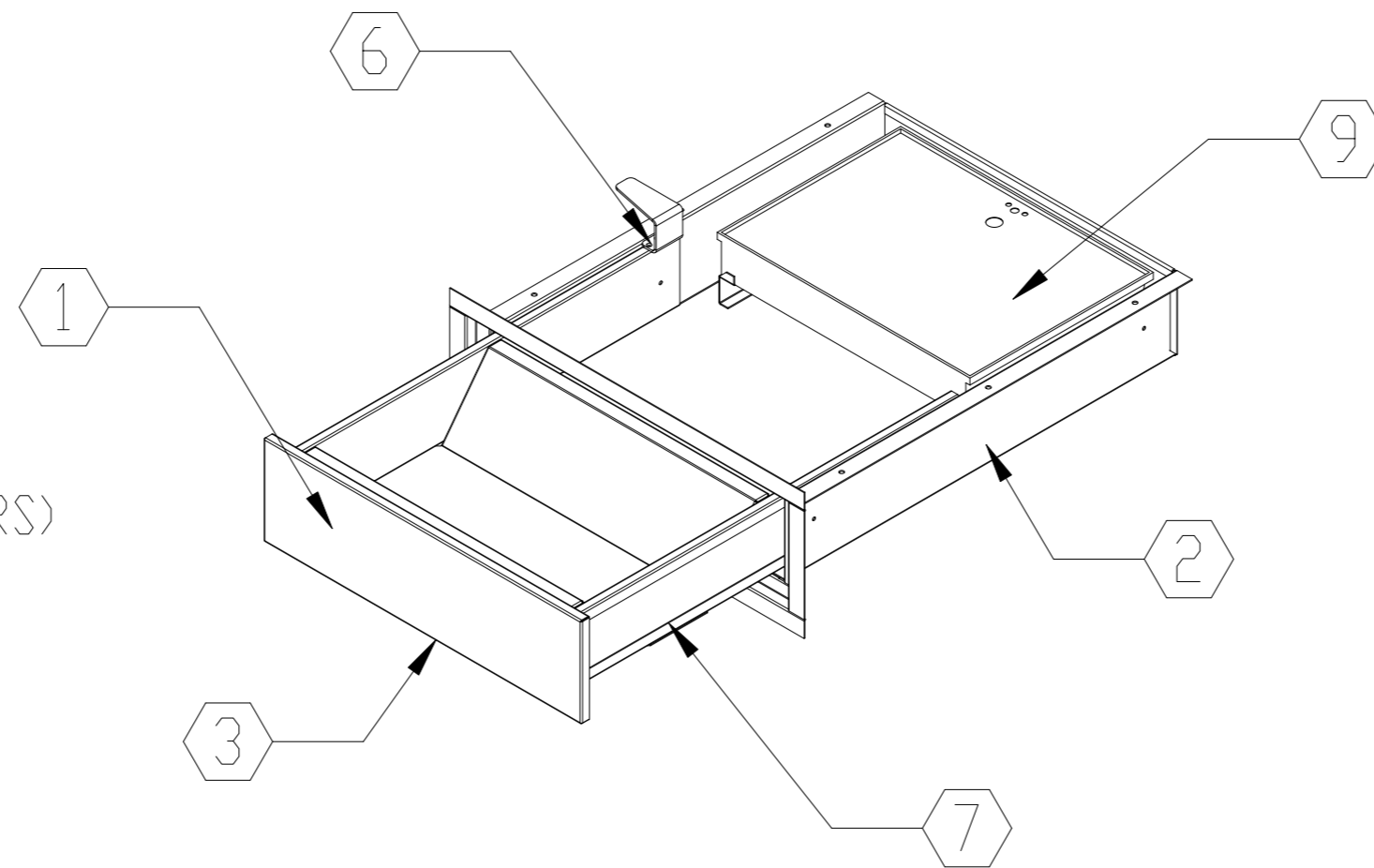
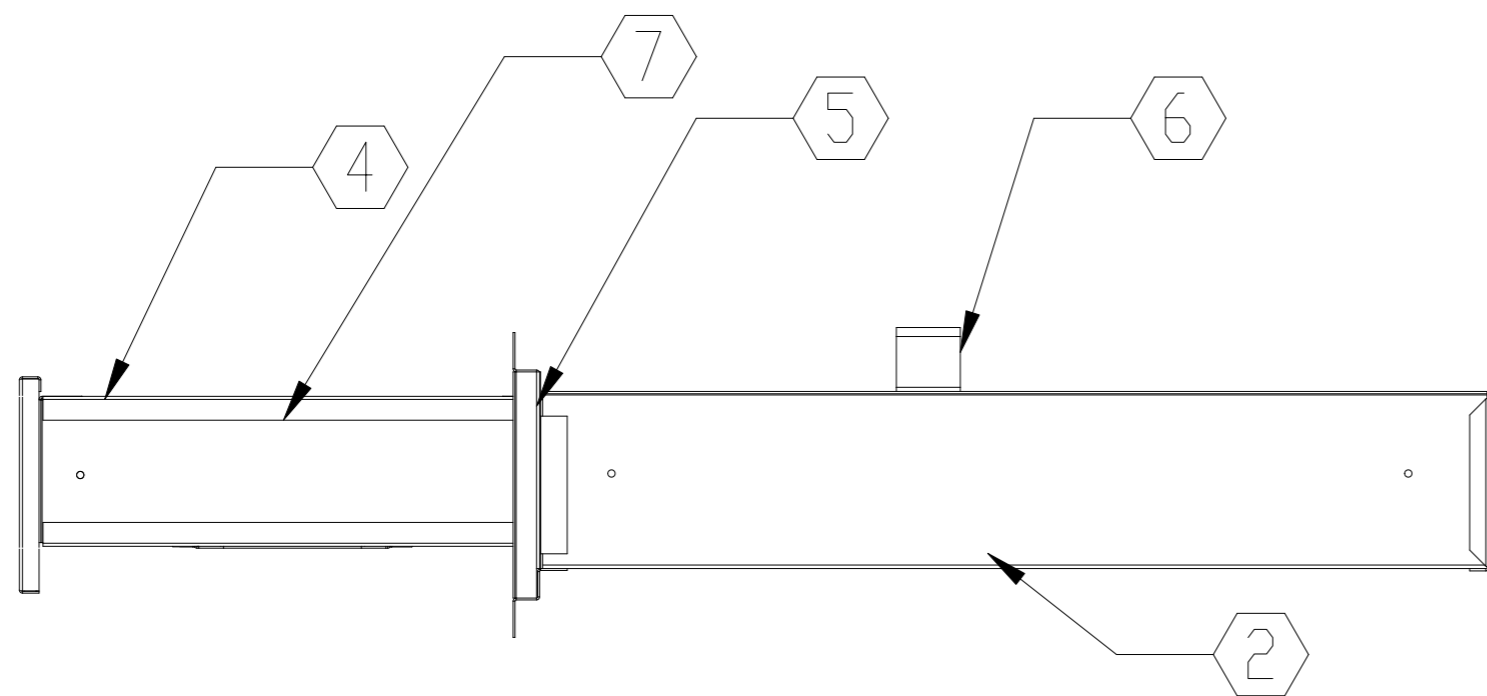


NOTES:

- ① ARMORTEX[®] BULLET RESISTANT COMPOSITES
- ② 16 GA. PRIME PAINTED STEEL CASE
- ③ STAINLESS STEEL DRAWER FRONT
- ④ STAINLESS STEEL DRAWER
- ⑤ 16 GA. STAINLESS STEEL FLANGE FRAME
- ⑥ STAINLESS STEEL RELEASE HANDLE
- ⑦ SLIDING DRAWER TRACKS
- ⑧ 1/4" DIA MOUNTING HOLES (SCREWS BY OTHERS)
- ⑨ KEY LOCKING CASH TRAY

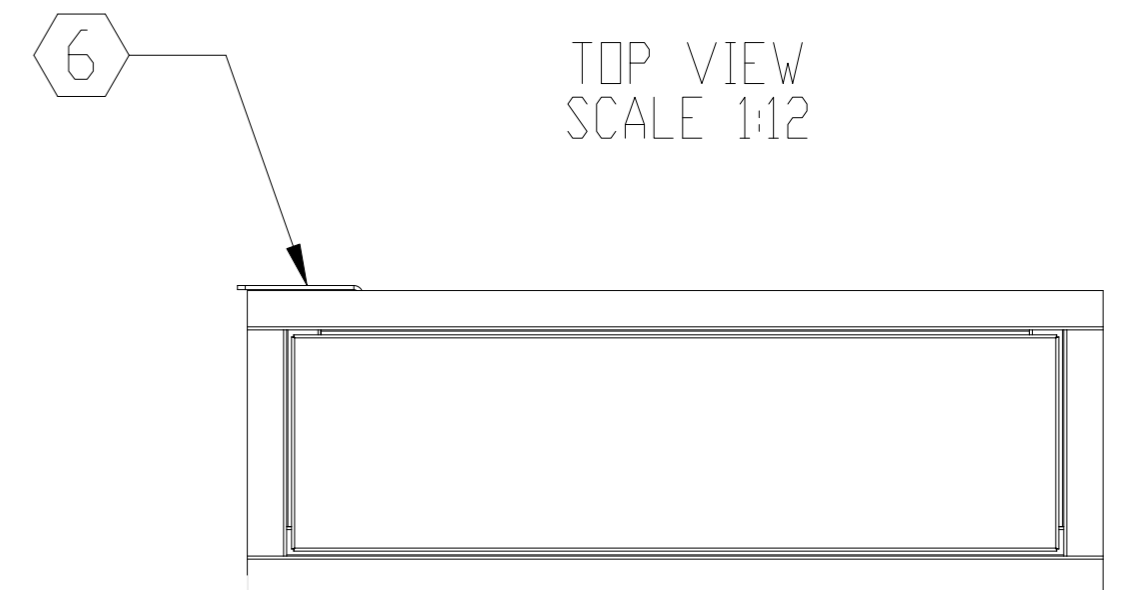


THREAT SIDE



SAFE SIDE

SIDE VIEW
SCALE 1:12



FRONT VIEW
SCALE 1:12

SCALE: AS NOTED	TITLE: TRANSACTION DRAWER SS-4D	UNLESS OTHERWISE SPECIFIED: DIMENSIONS ARE IN INCHES TOLERANCES: FRACTIONAL ±1/16" ANGULAR: ±1° TWO PLACE DECIMAL ±.01 THREE PLACE DECIMAL ±.005	ARMORTEX [®] BULLET • BLAST • FORCED ENTRY - PROTECTION PRODUCTS 5926 CORRIDOR PKWY SCHERTZ, TX 78154 TEL: 210-661-8306 800-880-8306 FAX: 210-661-8308 www.armortex.com
DATE: 06-25-2015	MODEL: TE-DA-SS-4D		
DRAWN BY: M. FREEMAN	SHEET NUMBER: 1 OF 1		