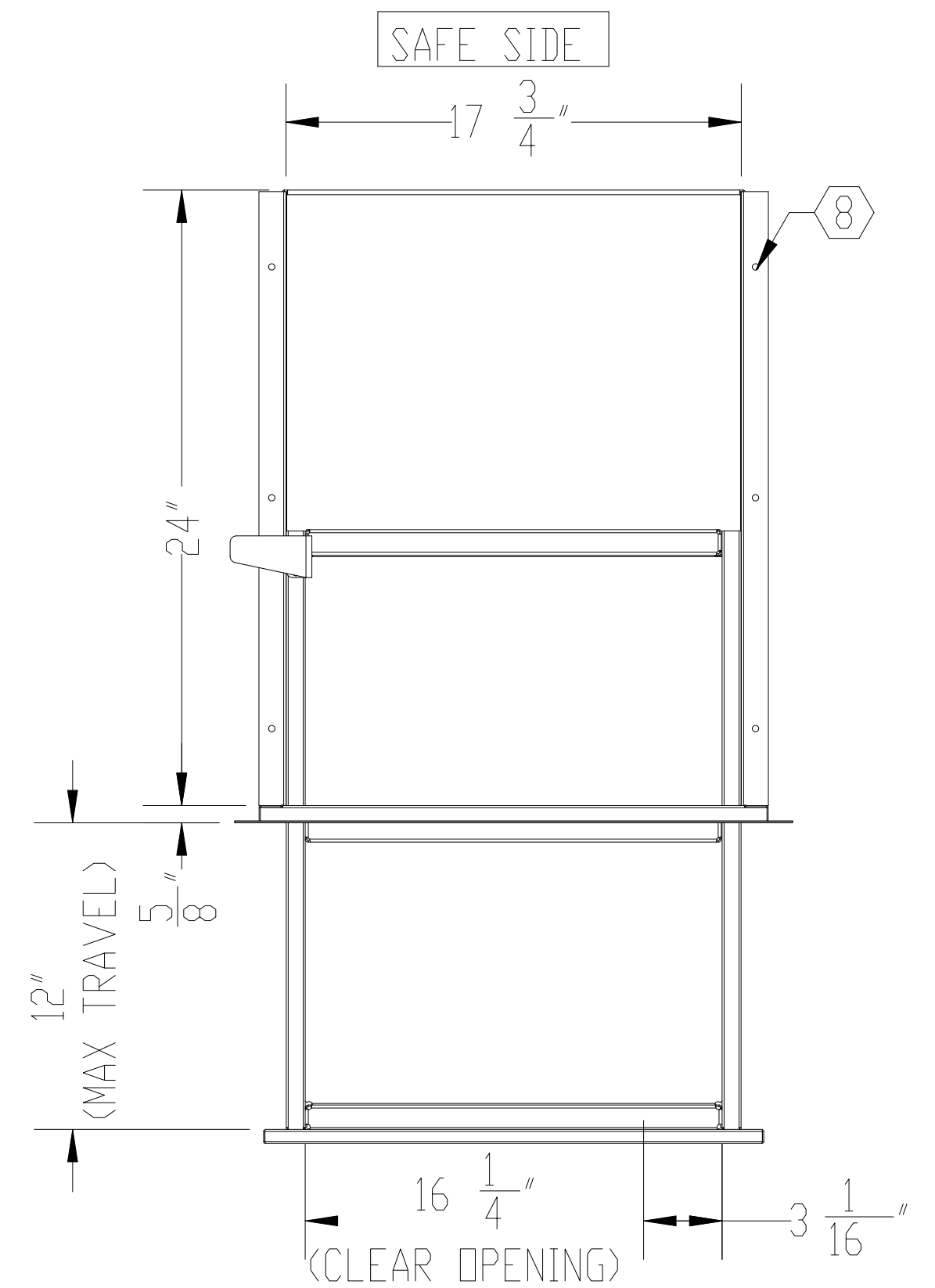
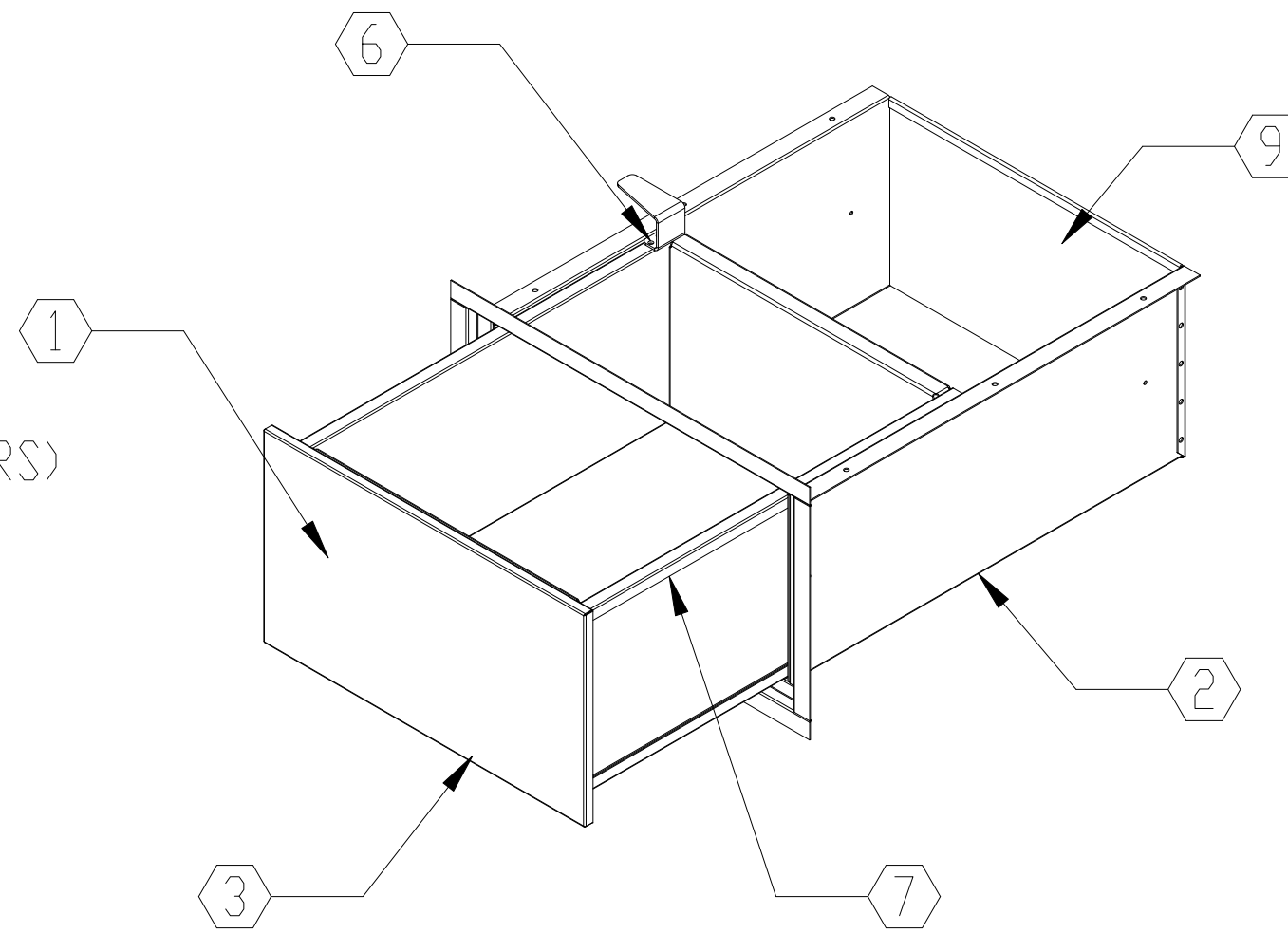
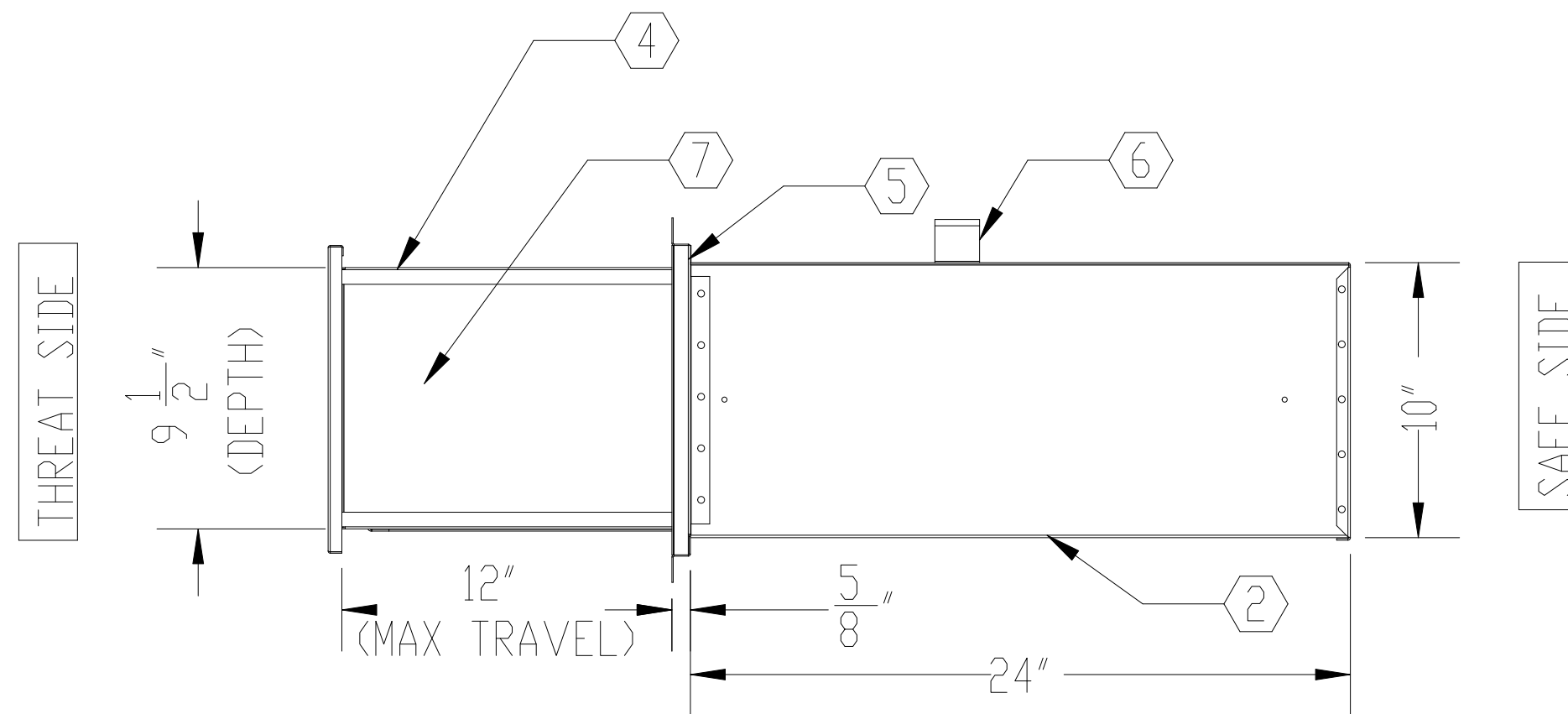


NOTES:

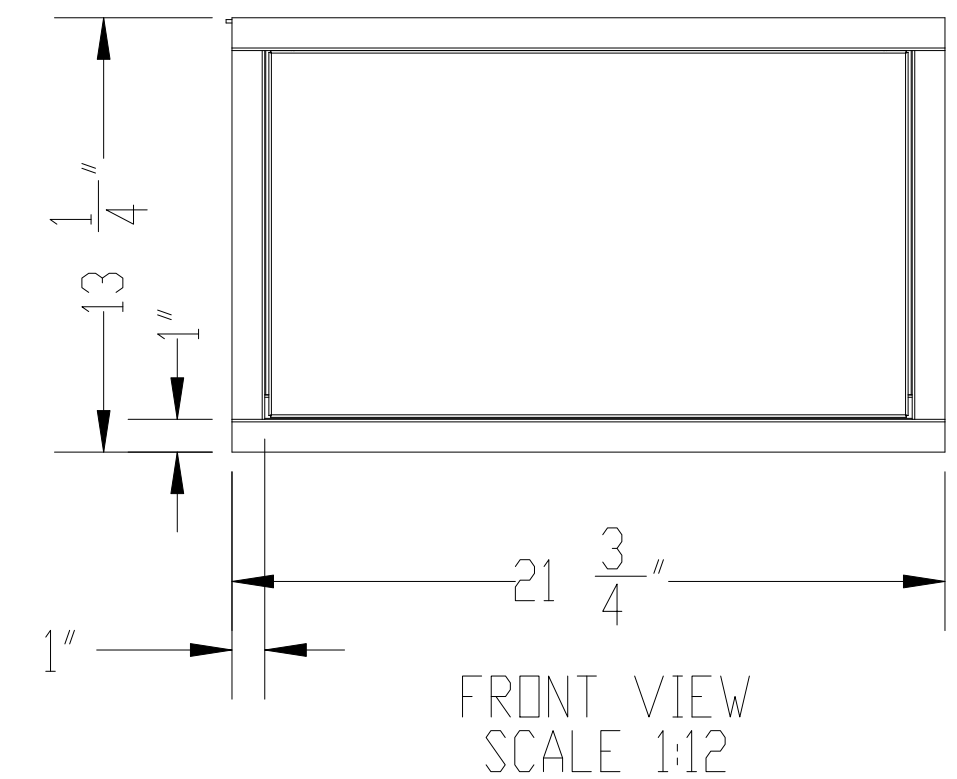
- ① ARMORTEX<sup>®</sup> BULLET RESISTANT COMPOSITES
- ② 16 GA. PRIME PAINTED STEEL CASE
- ③ 16 GA. STAINLESS STEEL DRAWER FRONT
- ④ STAINLESS STEEL DRAWER
- ⑤ 16 GA. STAINLESS STEEL FLANGE TRIM
- ⑥ STAINLESS STEEL RELEASE HANDLE
- ⑦ SLIDING DRAWER TRACKS
- ⑧ 1/4" DIA MOUNTING HOLES (SCREWS BY OTHERS)



THREAT SIDE  
TOP VIEW  
SCALE 1:12



SIDE VIEW  
SCALE 1:12



FRONT VIEW  
SCALE 1:12

SCALE: AS NOTED	TITLE: TRANSACTION DRAWER SS-10DD	UNLESS OTHERWISE SPECIFIED: DIMENSIONS ARE IN INCHES TOLERANCES: FRACTIONAL ±1/16" ANGULAR: ±1° TWO PLACE DECIMAL ±.01 THREE PLACE DECIMAL ±.005	<b>ARMORTEX</b> <sup>®</sup> BULLET • BLAST • FORCED ENTRY - PROTECTION PRODUCTS 5926 CORRIDOR PKWY SCHERTZ, TX 78154 TEL: 210-661-8306 800-880-8306 FAX: 210-661-8308 www.armortex.com
DATE: 06-26-2015	MODEL: TE-DA-SS-DD		
DRAWN BY: M. FREEMAN	SHEET NUMBER: 1 OF 1		