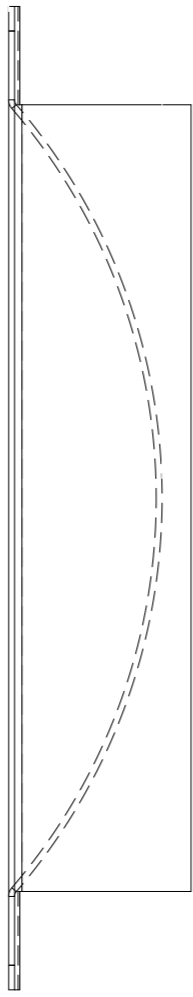
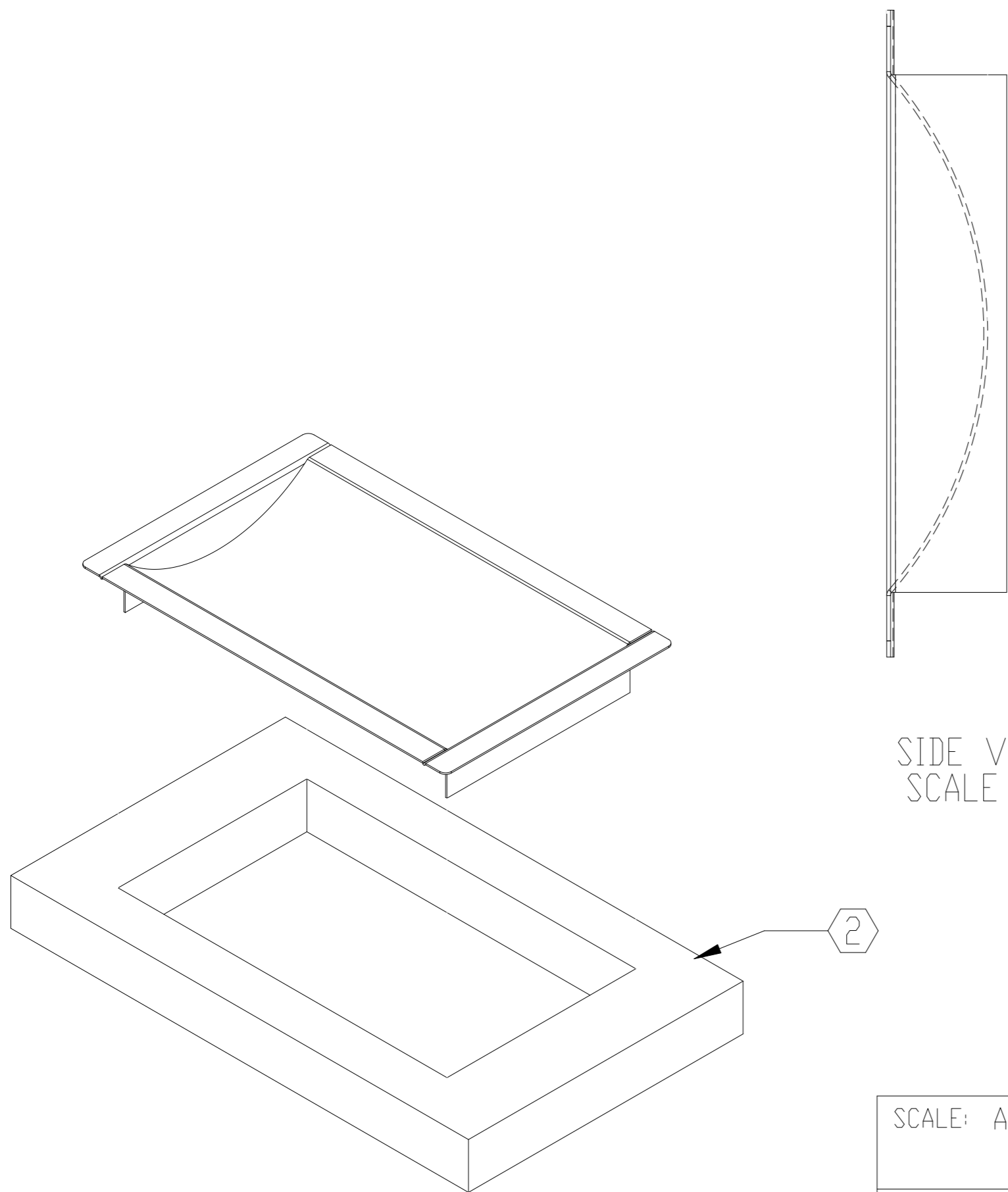


NOTES:

- ① 16 GA. STAINLESS STEEL DIP TRAY WITH #3 SATIN BRUSHED FINISH
- ② COUNTER TOP (AS REQUIRED)
- ③ 14 3/8" X 8 1/4" CUT-OUT REQUIRED



SIDE VIEW  
SCALE 1:4



TOP VIEW  
SCALE 1:4

SCALE: AS NOTED	TITLE: DEAL TRAY STAINLESS STEEL RMDT-1016	UNLESS OTHERWISE SPECIFIED: DIMENSIONS ARE IN INCHES TOLERANCES: FRACTIONAL ±1/16" ANGULAR: ±1° TWO PLACE DECIMAL ±.01 THREE PLACE DECIMAL ±.005	<b>ARMORTEX</b> ® BULLET • BLAST • FORCED ENTRY - PROTECTION PRODUCTS 5926 CORRIDOR PKWY SCHERTZ, TX 78154 TEL: 210-661-8306 800-880-8306 FAX: 210-661-8308 www.armortex.com
DATE: 06-26-2015	MODEL: TE-DT-10-16		
DRAWN BY: M. FREEMAN	SHEET NUMBER: 1 OF 1		