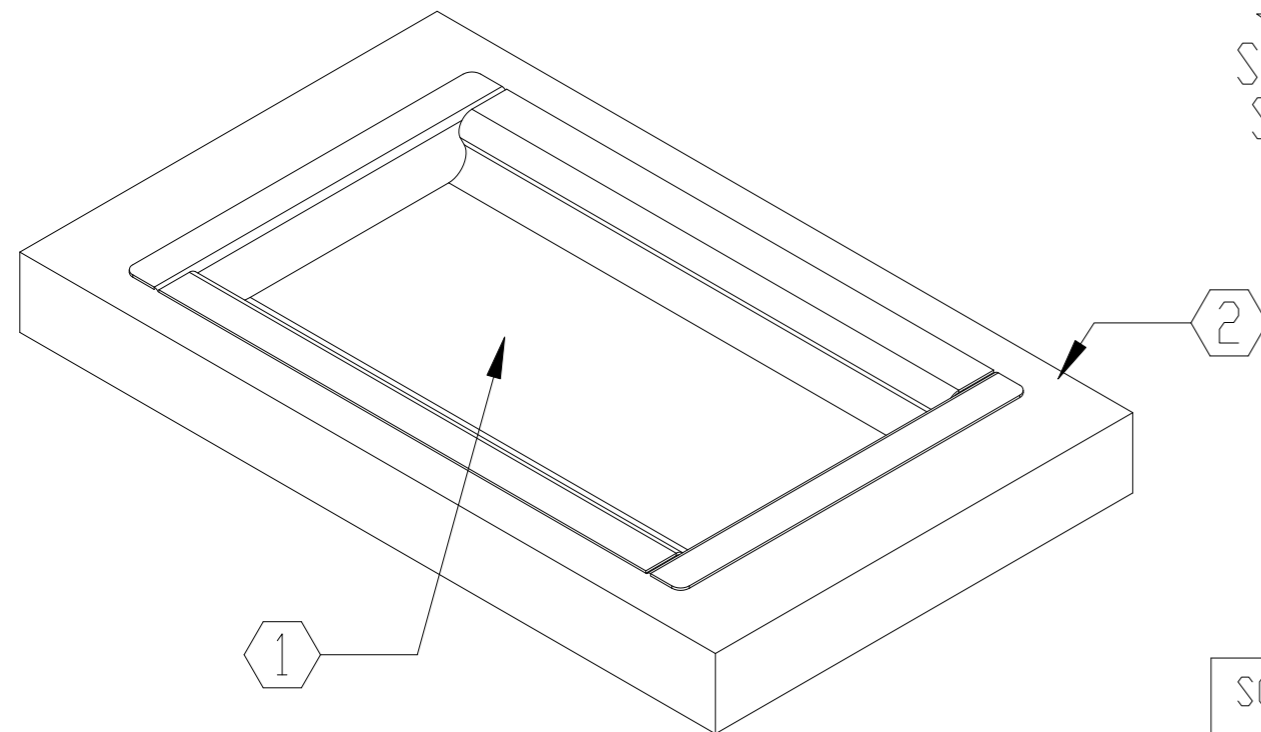
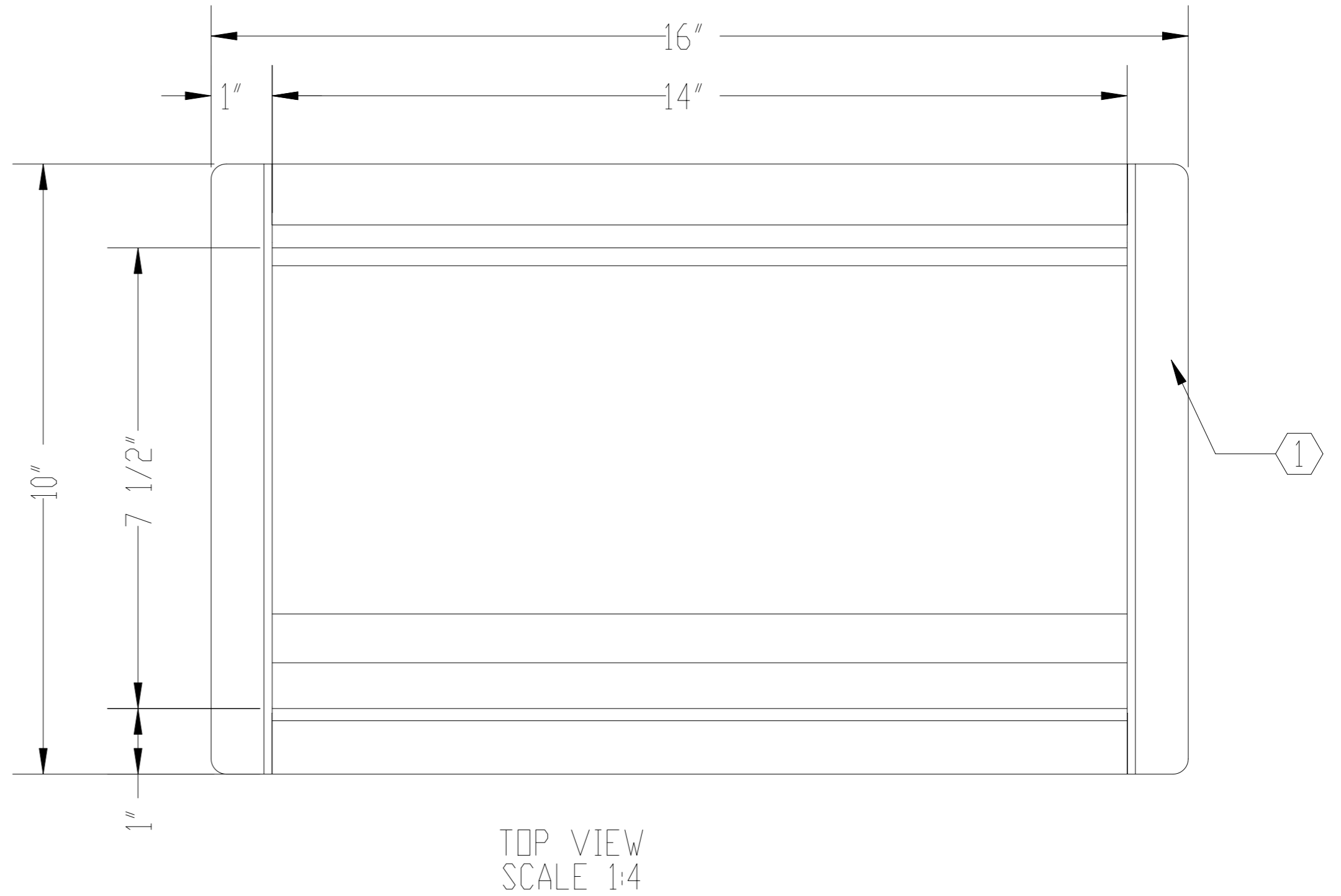
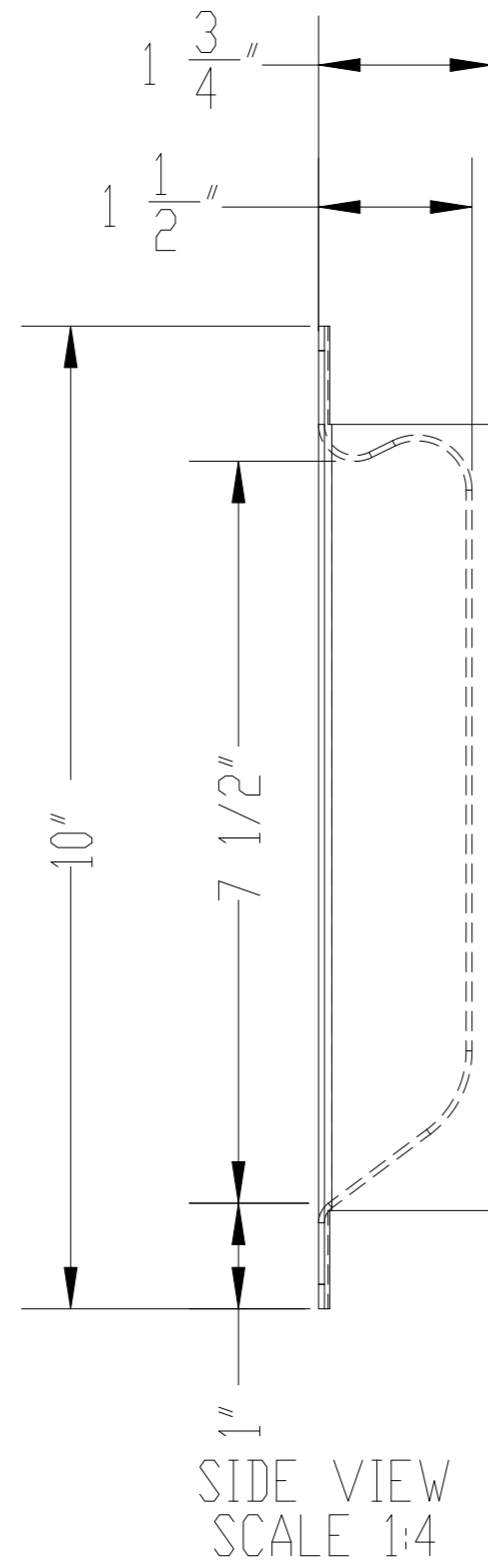


NOTES:

- ① 16 GA. STAINLESS STEEL DIP TRAY WITH #3 SATIN BRUSHED FINISH
- ② COUNTER TOP (AS REQUIRED)
- ③ 14 3/8" X 8 1/4" CUTOUT REQUIRED (NOT SHOWN)



SCALE: AS NOTED

TITLE: DEAL TRAY NON-  
RICOCHET RMDT-1016

DATE: 06-26-2015

MODEL: TE-DT-N1-16

DRAWN BY: M. FREEMAN

SHEET NUMBER: 1 OF 1

UNLESS OTHERWISE SPECIFIED:

DIMENSIONS ARE IN INCHES  
TOLERANCES:  
FRACTIONAL ±1/16"  
ANGULAR: ±1°  
TWO PLACE DECIMAL ±.01  
THREE PLACE DECIMAL ±.005

**ARMORTEX**®  
BULLET • BLAST • FORCED ENTRY - PROTECTION PRODUCTS  
5926 CORRIDOR PKWY SCHERTZ, TX 78154  
TEL: 210-661-8306 800-880-8306 FAX: 210-661-8308  
www.armortex.com