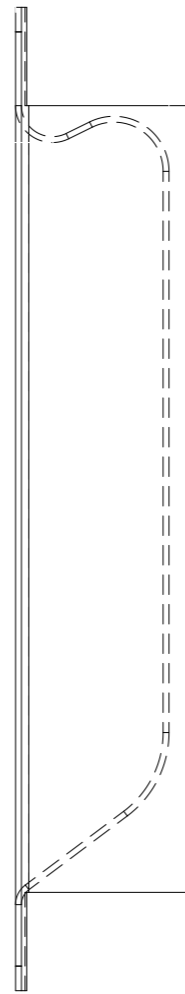


NOTES:

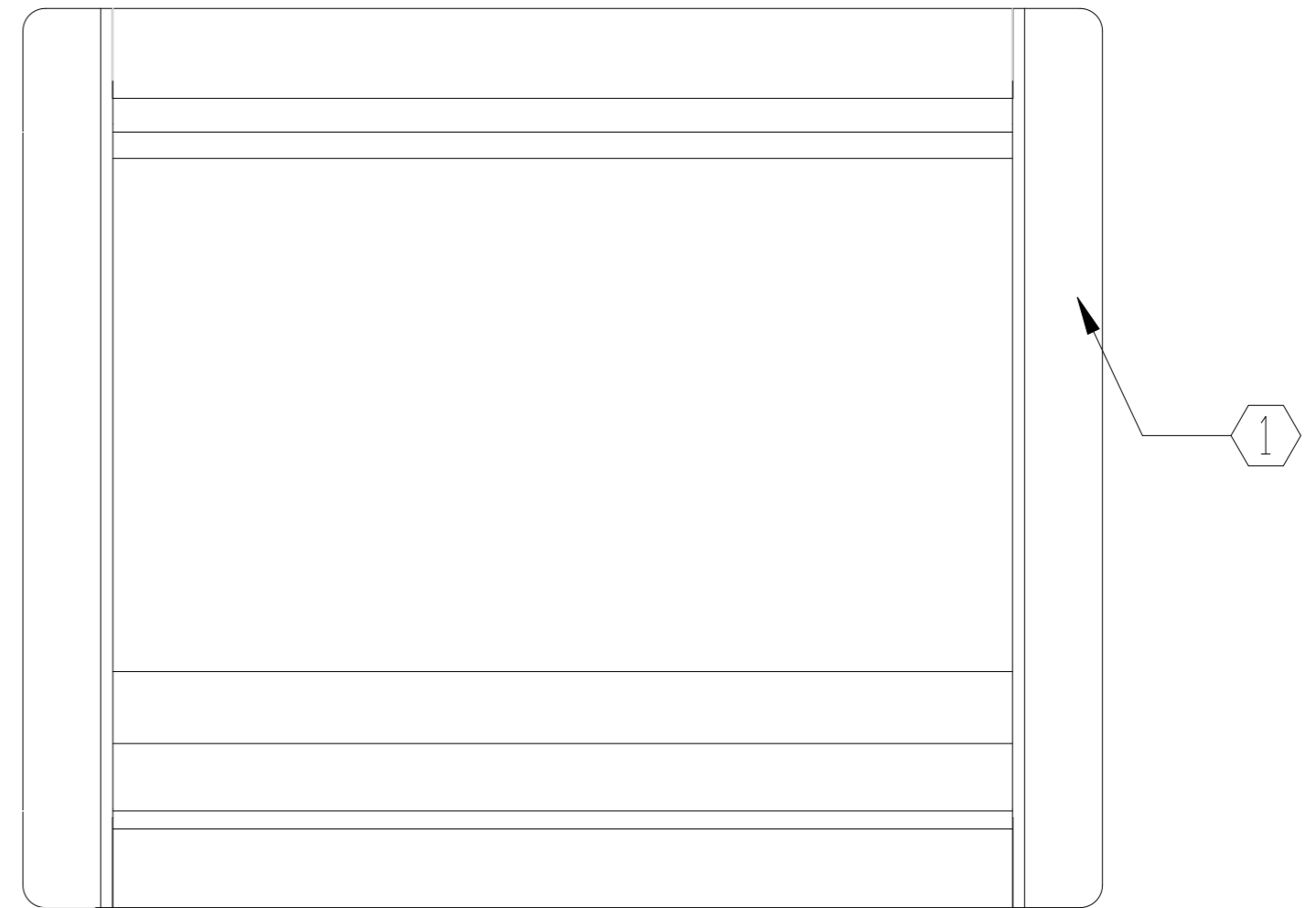
① 16 GA. STAINLESS STEEL DIP TRAY WITH #3 SATIN BRUSHED FINISH

② COUNTER TOP (AS REQUIRED)

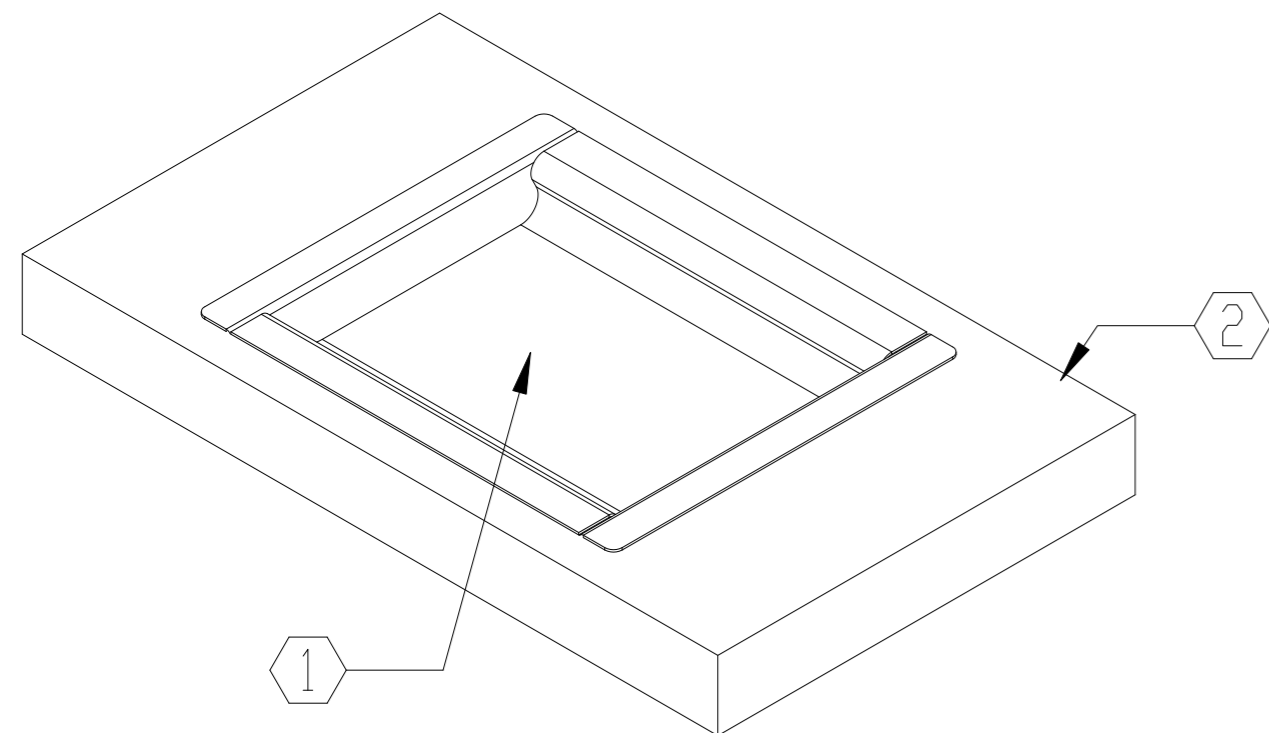
③ 10 3/8" X 8 1/4" CUTOUT REQUIRED (NOT SHOWN)



SIDE VIEW
SCALE 1:4



TOP VIEW
SCALE 1:4



SCALE: AS NOTED

TITLE: DEAL TRAY NON-
RICOCHET RMDT-1012

UNLESS OTHERWISE SPECIFIED:

DIMENSIONS ARE IN INCHES
TOLERANCES:
FRACTIONAL ±1/16"
ANGULAR: ±1°
TWO PLACE DECIMAL ±.01
THREE PLACE DECIMAL ±.005

DATE: 06-26-2015

MODEL: TE-DT-NR-1W

DRAWN BY: M. FREEMAN

SHEET NUMBER: 1 OF 1

ARMORTEX®
BULLET • BLAST • FORCED ENTRY - PROTECTION PRODUCTS
5926 CORRIDOR PKWY SCHERTZ, TX 78154
TEL: 210-661-8306 800-880-8306 FAX: 210-661-8308
www.armortex.com