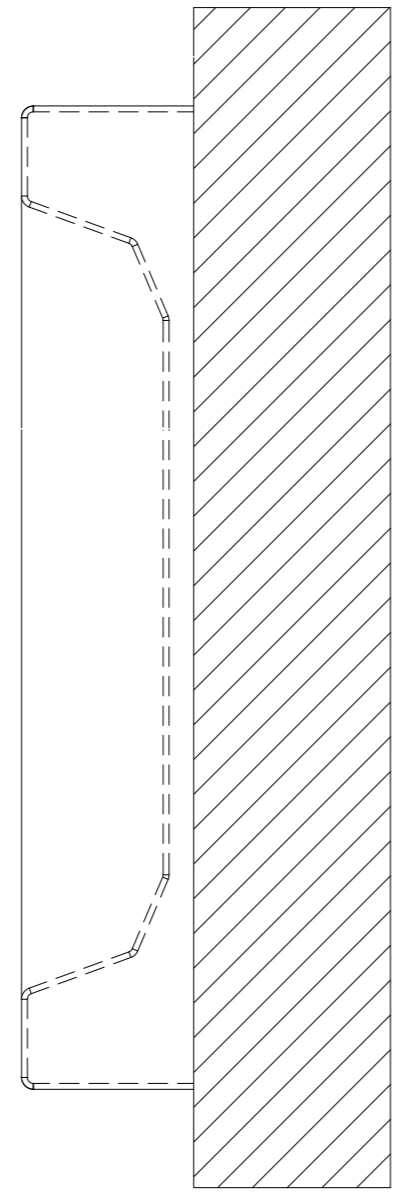


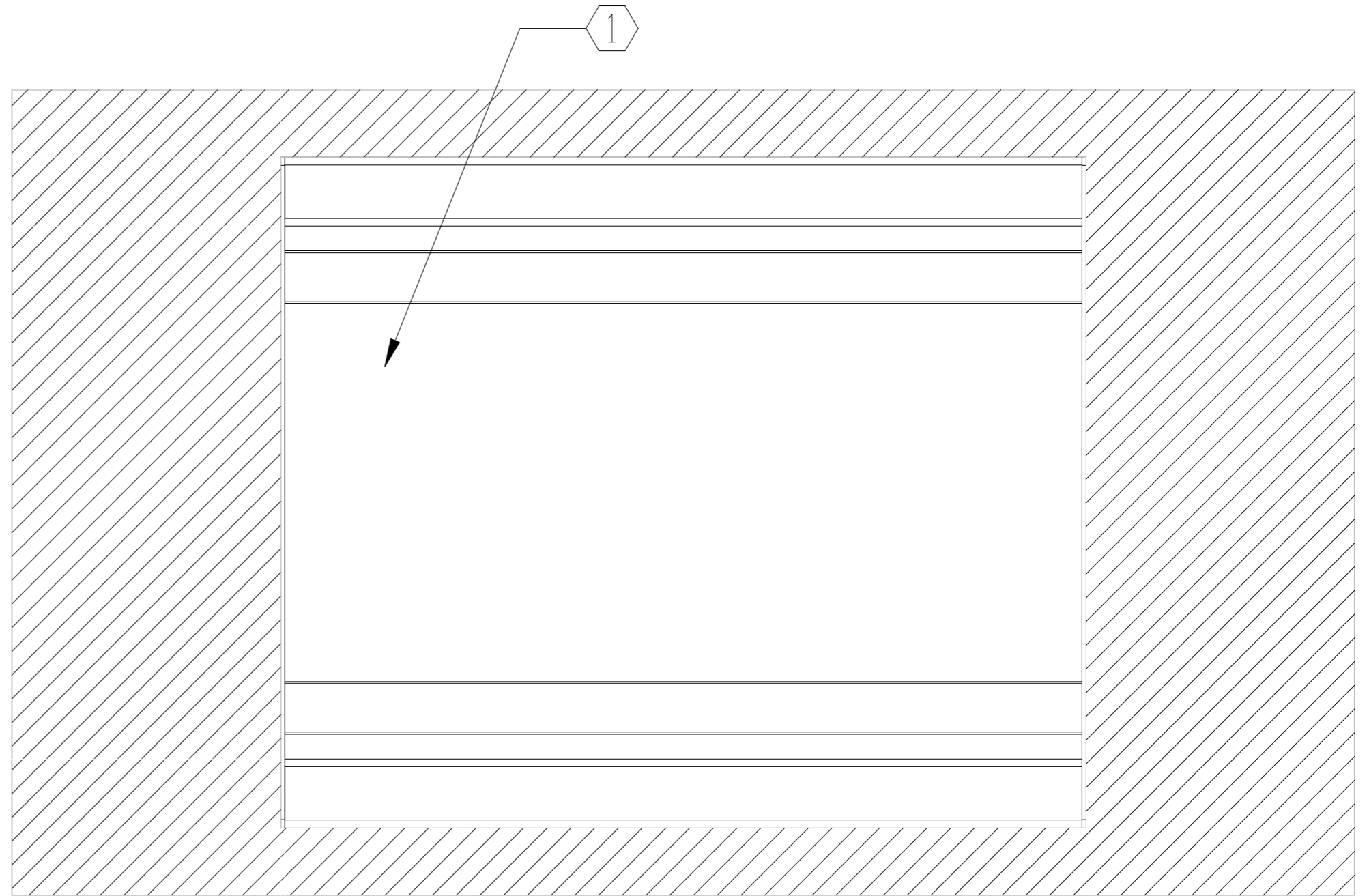
NOTES:

① 16 GA. STAINLESS STEEL DIP TRAY WITH #3 SATIN BRUSHED FINISH

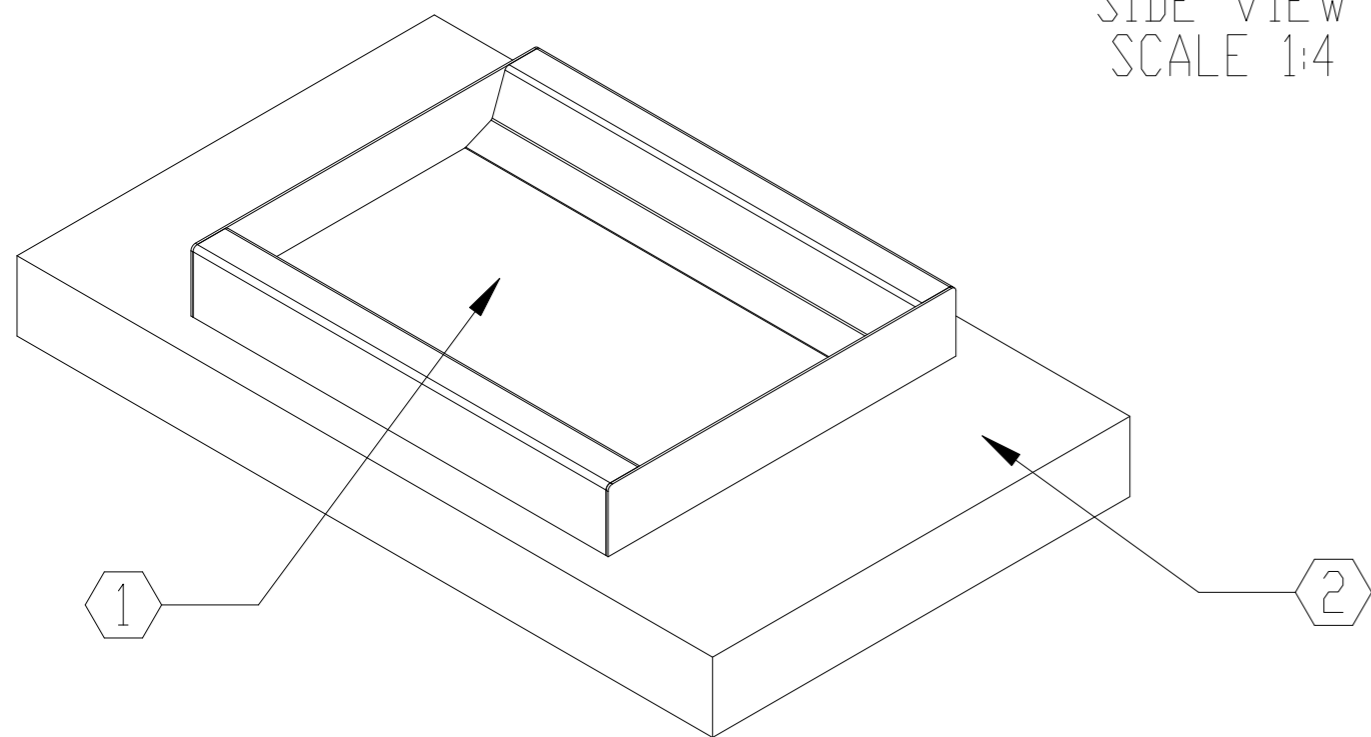
② COUNTER TOP (AS REQUIRED)



SIDE VIEW  
SCALE 1:4



TOP VIEW  
SCALE 1:4



SCALE: AS NOTED	TITLE: DEAL TRAY STAINLESS STEEL SMDT-1012	UNLESS OTHERWISE SPECIFIED: DIMENSIONS ARE IN INCHES TOLERANCES: FRACTIONAL ±1/16" ANGULAR: ±1° TWO PLACE DECIMAL ±.01 THREE PLACE DECIMAL ±.005	<b>ARMORTEX</b> <sup>®</sup> BULLET • BLAST • FORCED ENTRY - PROTECTION PRODUCTS 5926 CORRIDOR PKWY SCHERTZ, TX 78154 TEL: 210-661-8306 800-880-8306 FAX: 210-661-8308 www.armortex.com
DATE: 06-29-2015	MODEL: TE-DT-SM-10		
DRAWN BY: M. FREEMAN	SHEET NUMBER: 1 OF 1		