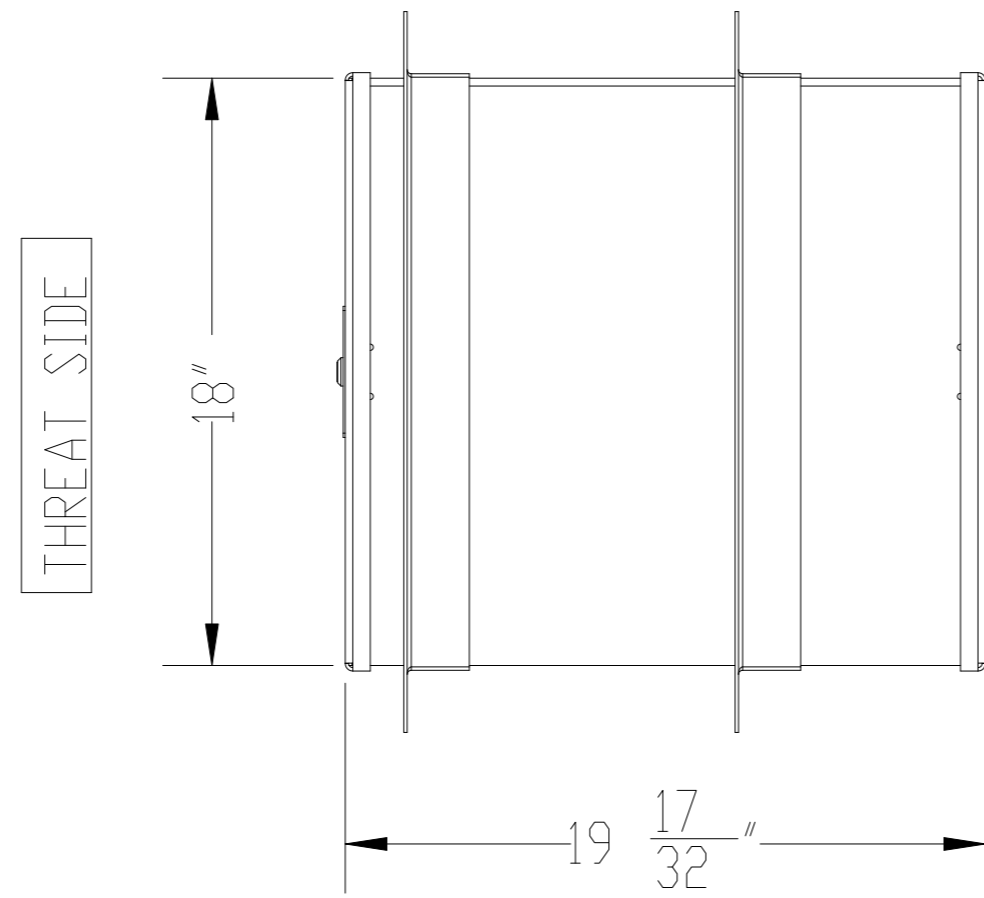
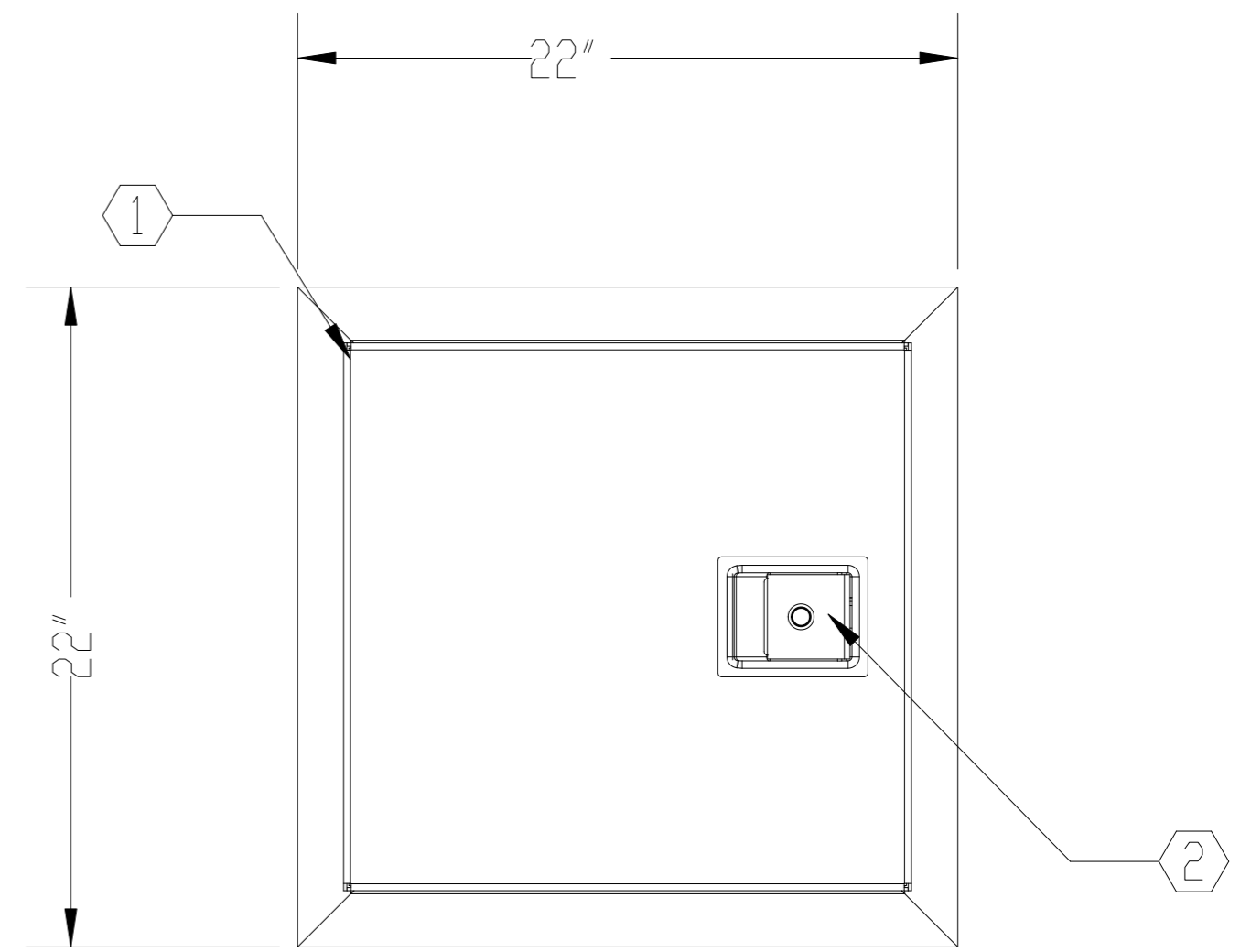


NOTES:

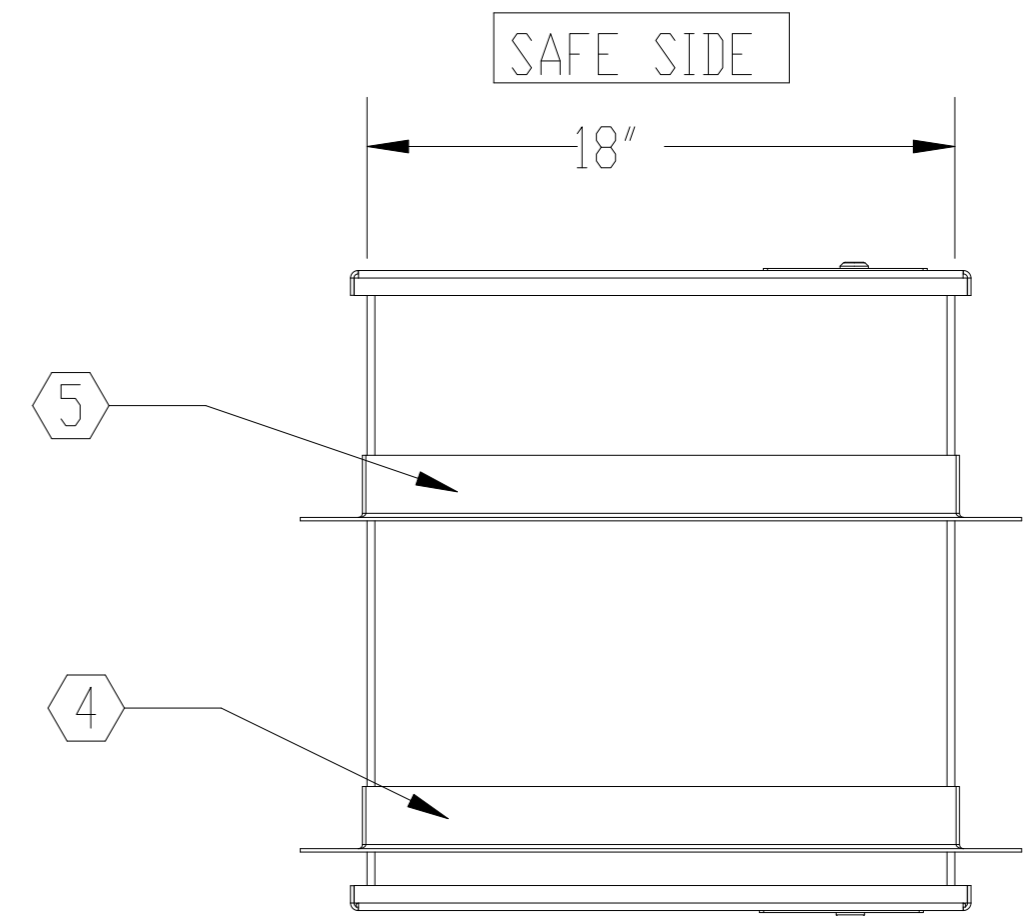
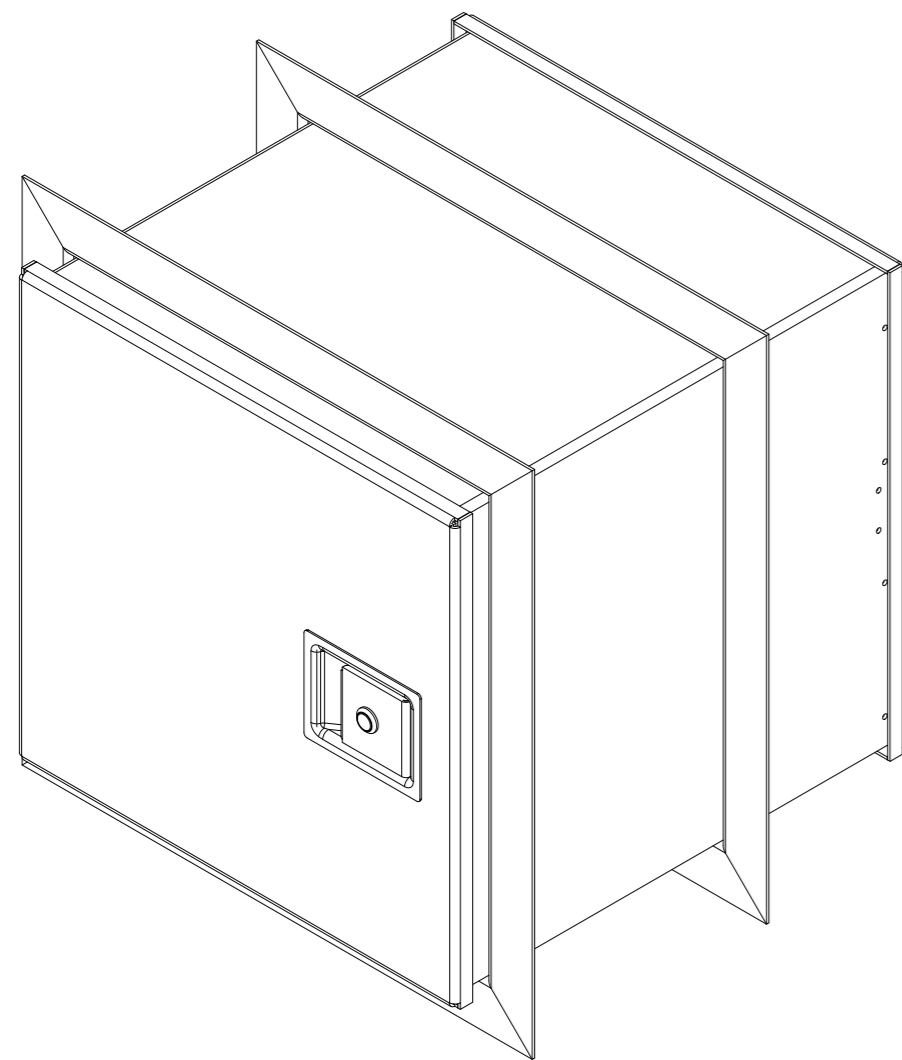
- ① PIANO HINGE
- ② PADDLE LATCH
- ③ INTERLOCK (NOT SHOWN)
- ④ FLANGE WITH DRIP COVER
- ⑤ ADJUSTABLE MOUNTING FLANGE



SIDE VIEW
SCALE 1 : 12



ELEVATION VIEW
SCALE 1 : 12



TOP VIEW
SCALE 1 : 12

SCALE: AS NOTED	TITLE: PACKAGE RECIEVER APR-1818	UNLESS OTHERWISE SPECIFIED: DIMENSIONS ARE IN INCHES TOLERANCES: FRACTIONAL ±1/16" ANGULAR: ±1° TWO PLACE DECIMAL ±.01 THREE PLACE DECIMAL ±.005	ARMORTEX [®] BULLET • BLAST • FORCED ENTRY - PROTECTION PRODUCTS 5926 CORRIDOR PKWY SCHERTZ, TX 78154 TEL: 210-661-8306 800-880-8306 FAX: 210-661-8308 www.armortex.com
DATE: 06-26-2015	MODEL: TE-PA-18-18		
DRAWN BY: M. FREEMAN	SHEET NUMBER: 1 OF 1		