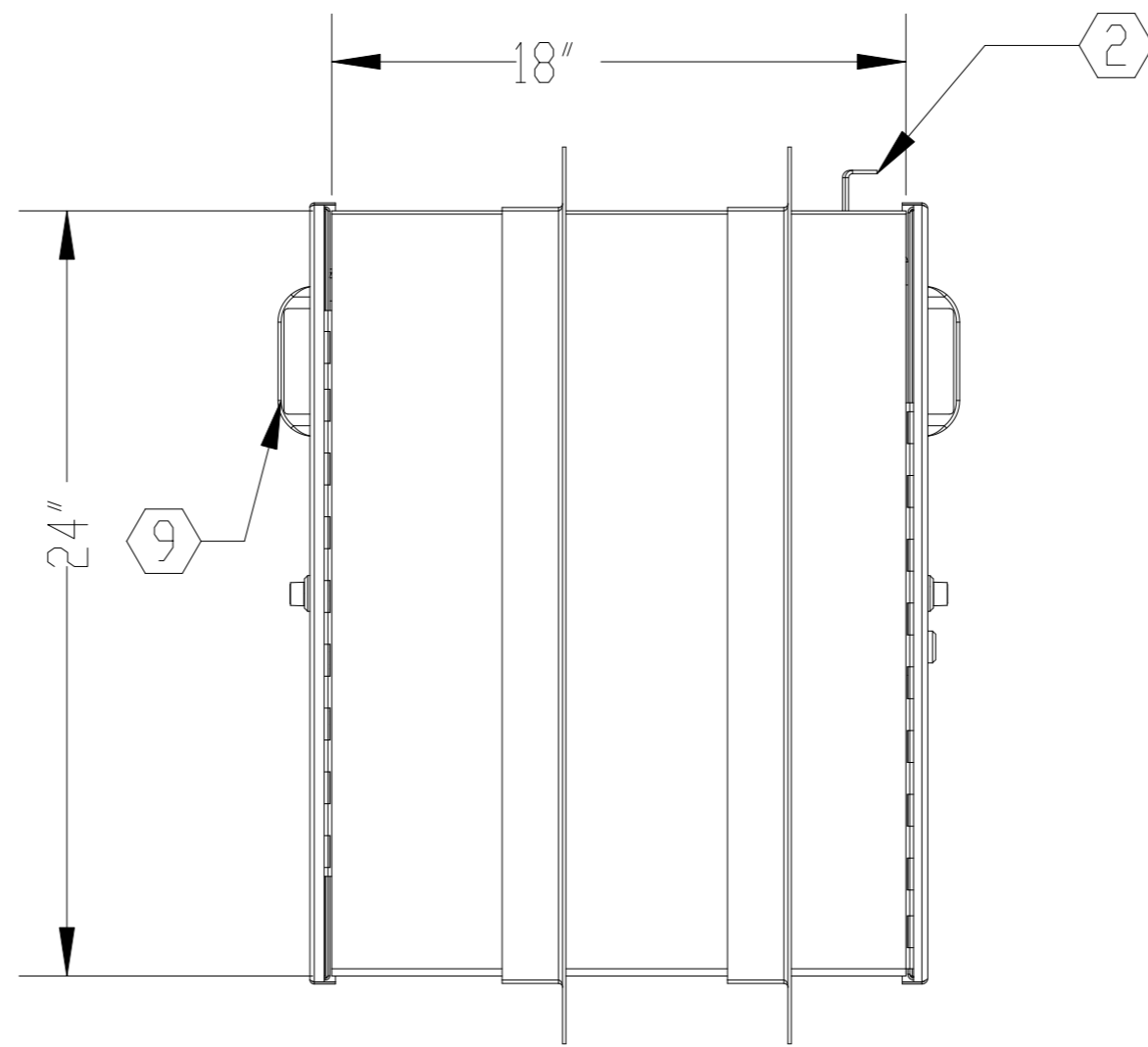
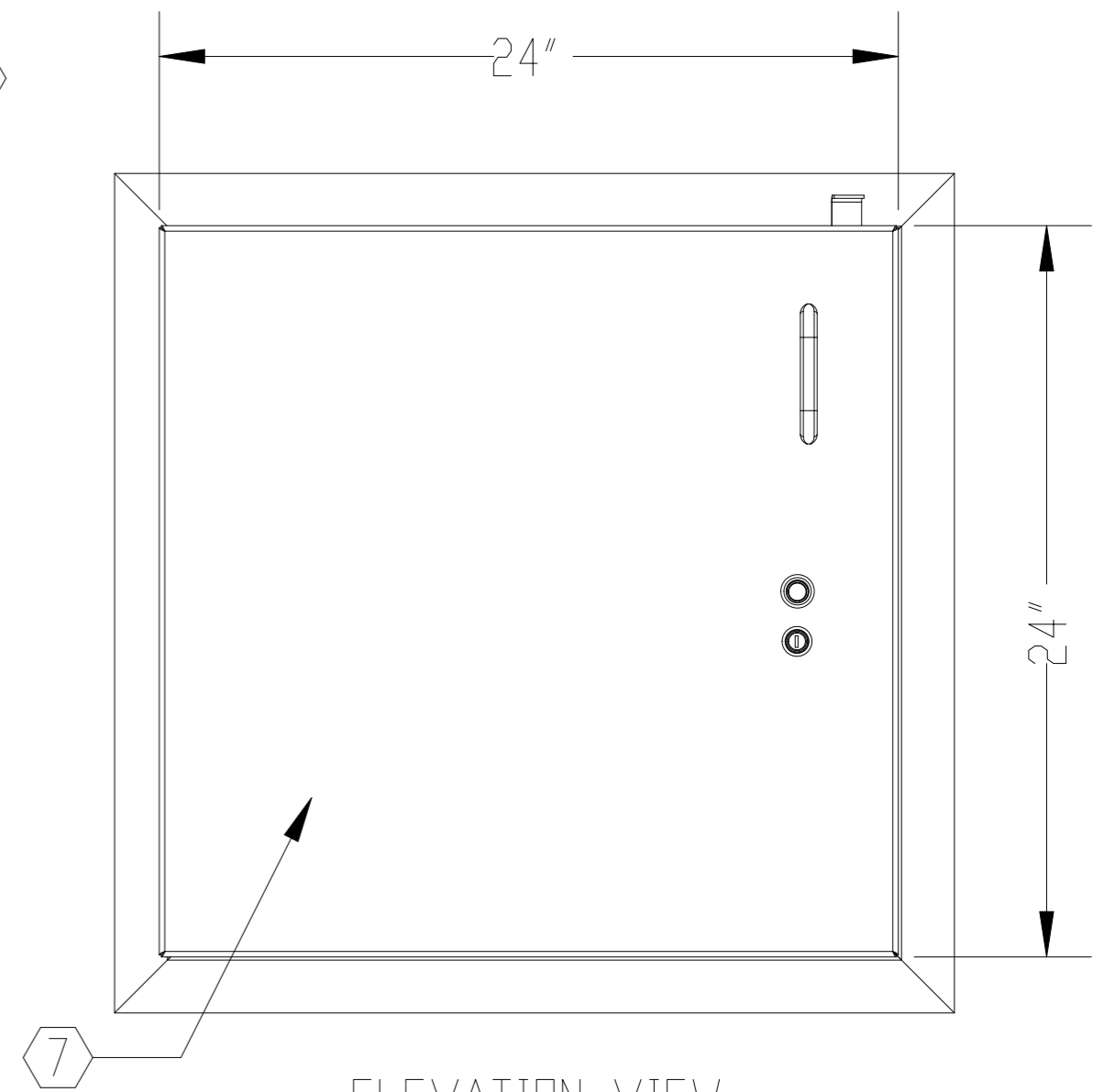


NOTES:

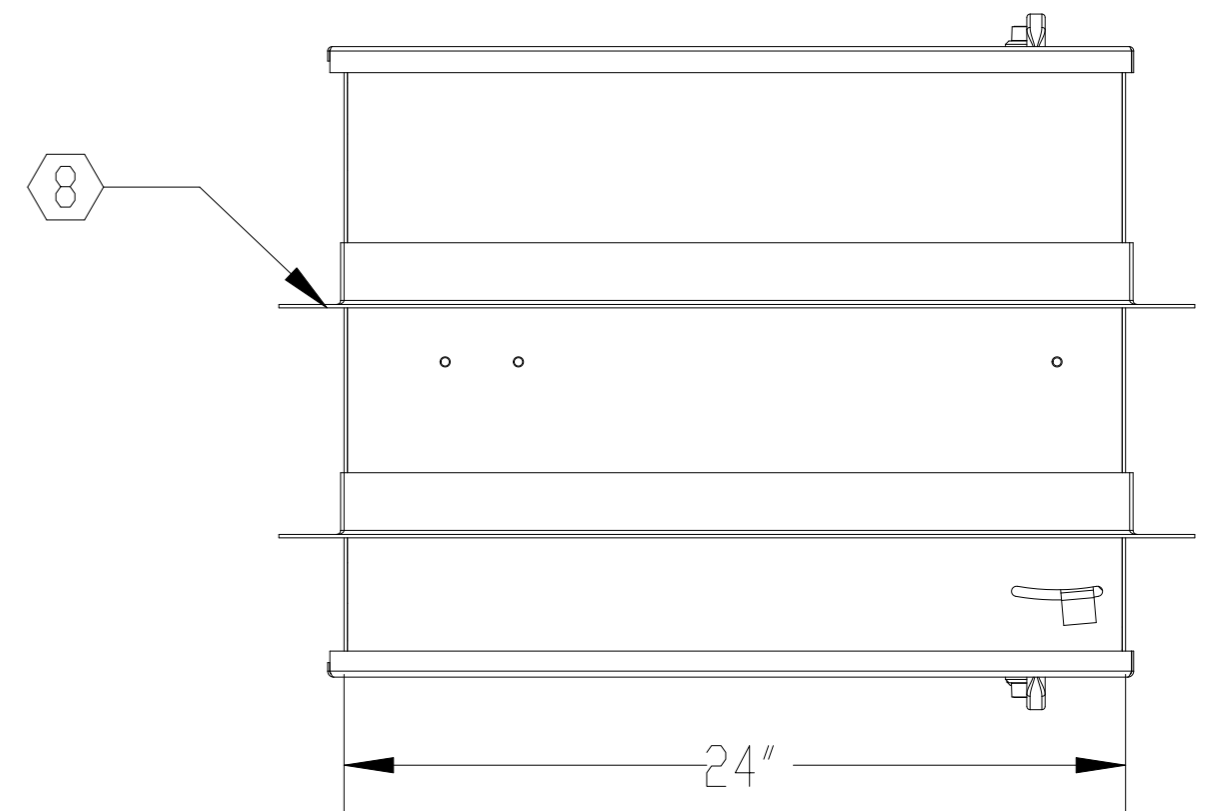
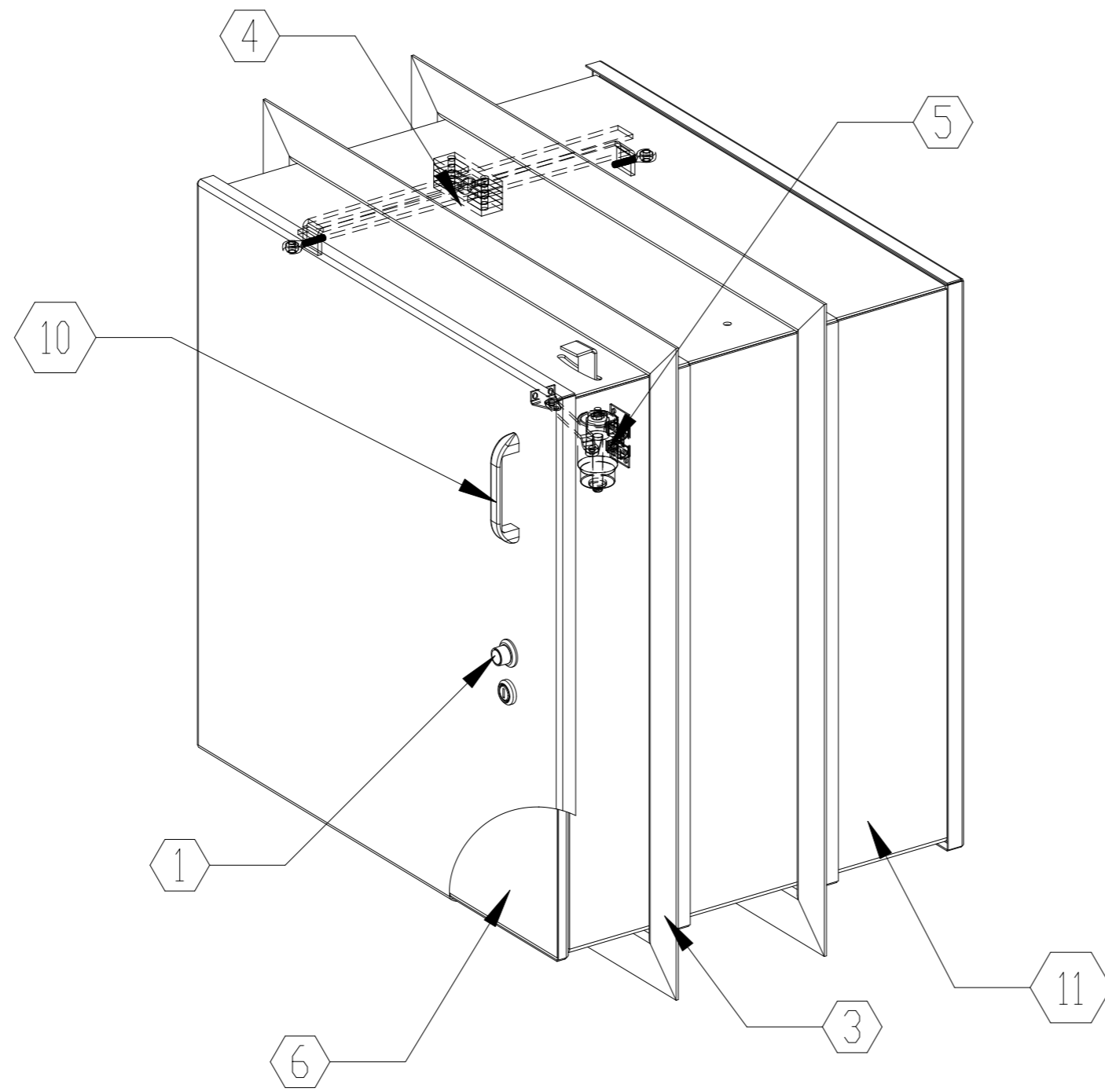
- ① PUSH BUTTON LATCH AND KEY LOCK (SAFE SIDE)
- ② OUTSIDE DOOR RELEASE HANDLE
- ③ MOUNTING FLANGE (SHOP WELDED)
- ④ DOOR INTERLOCK MECHANISM
- ⑤ AUTOMATIC DOOR CLOSER
- ⑥ LEVEL 3 ARMORTEX[®] BULLET RESISTANT ARMOR IN DOORS
- ⑦ PRIME PAINTED SAFE SIDE DOOR
- ⑧ ADJUSTABLE MOUNTING FLANGE (SHIPPED LOOSE)
- ⑨ PULL HANDLE (BOTH DOORS)
- ⑩ STAINLESS STEEL THREAT SIDE DOOR
- ⑪ 12 GA. PRIME PAINTED STEEL BODY



SIDE VIEW
SCALE 1:12



ELEVATION VIEW
SCALE 1:12



TOP VIEW
SCALE 1:12

| | | | | |
|-----------|------------|--|---|---|
| SCALE: | AS NOTED | TITLE: PACKAGE RECEIVER, 24 X 24, BALLISTIC LEVEL | UNLESS OTHERWISE SPECIFIED: DIMENSIONS ARE IN INCHES TOLERANCES: FRACTIONAL: ±1/16" ANGULAR: ±1° TWO PLACE DECIMAL: ±.01 THREE PLACE DECIMAL: ±.005 | ARMORTEX [®] BULLET • BLAST • FORCED ENTRY - PROTECTION PRODUCTS 5926 CORRIDOR PKWY SCHERTZ, TX 78154 TEL: 210-661-8306 800-880-8306 FAX: 210-661-8308 www.armortex.com |
| DATE: | 11-02-2015 | MODEL: TE-PA-LK-24 | | |
| DRAWN BY: | M. FREEMAN | SHEET NUMBER: 1 OF 1 | | |