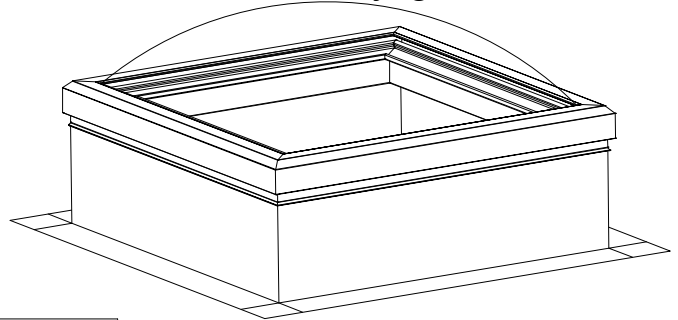


Skylights conform to and exceed test requirements of CAN/CGSB-63.14M89, "Plastic Skylights", Class A, Type 2 or Type 3.

Skylight designed to be installed on flat roofs. These skylights come complete with insulated aluminum curb and mount directly over roof opening.



- Custom sizes are available upon request

#### Model CL Available Sizes

Model #	B x B Dimensions	Dome Color	QTY
CL 2052	14 1/4" x 46 1/4" (362mm x 1175mm)		
CL 2828	22 1/4" x 22 1/4" (565mm x 565mm)		
CL 2836	22 1/4" x 30 1/4" (565mm x 768mm)		
CL 2852	22 1/4" x 46 1/4" (565mm x 1175mm)		
CL 2860	22 1/4" x 55" (565mm x 1397mm)		
CL 2876	22 1/4" x 69 1/2" (565mm x 1765mm)		
CL 2896	22 1/4" x 89 1/2" (565mm x 2273mm)		
CL 3636	30 1/4" x 30 1/4" (768mm x 768mm)		
CL 3642	30 1/4" x 37" (768mm x 940mm)		
CL 3652	30 1/4" x 46 1/4" (768mm x 1175mm)		
CL 3660	30 1/4" x 55" (768mm x 1397mm)		
CL 3676	30 1/4" x 69 1/2" (768mm x 1765mm)		
CL 3696	30 1/4" x 89 1/2" (768mm x 2273mm)		
CL 4242	37" x 37" (940mm x 940mm)		
CL 4252	37" x 46 1/4" (940mm x 1175mm)		
CL 4280	37" x 75" (940mm x 1905mm)		
CL 5252	46 1/4" x 46 1/4" (1175mm x 1175mm)		
CL 5260	46 1/4" x 55" (1175mm x 1397mm)		
CL 5276	46 1/4" x 69 1/2" (1175mm x 1765mm)		
CL 5280	46 1/4" x 75" (1175mm x 1905mm)		
CL 5296	46 1/4" x 89 1/2" (1175mm x 2273mm)		
CL 6060	55" x 55" (1397mm x 1397mm)		
CL 6076	55" x 69 1/2" (1397mm x 1765mm)		
CL 6096	55" x 89 1/2" (1397mm x 2273mm)		
CL 7272	67" x 67" (1702mm x 1702mm)		
CL 7296	67" x 89 1/2" (1702mm x 2273mm)		
CL 8080	75" x 75" (1905mm x 1905mm)		
CL 9696	89 1/2" x 89 1/2" (2273mm x 2273mm)		
CL CUST.			
CL CUST.			

#### Specifications:

Skylight shall be factory assembled Model No. \_\_\_\_\_ CL as manufactured by Artistic Skylight Domes Ltd. Vaughan, Ontario. Glazing shall consist of, sealed double acrylic domes (or sealed triple domes) of clear, white, bronze, or grey. The skylight shall consist of rigid high-impact extruded vinyl curb frame (superior in thermal conductivity to aluminum) which incorporates a high capacity, 10 degree sloped condensation gutter with drainage to exterior, co-extruded rubber draft seal. The retaining cap frame shall be extruded, mill finish (optional baked enamel), 6063-T5 aluminum alloy (0.063" thick), with heliarc welded corners. Curb shall be, 9" high (optional 12") mill finish aluminum, 2 piece construction of .050 outer wall and .050 inner wall, with 2" thick insulation and 3" aluminum mounting flange.

Project:

Contractor:

Architect:

Approved By:

Date:

#### Dome Colors Available

Dome Color	Colour Code	Dome Color	Colour Code
Clear	- C	White	- W
Bronze	- B	Grey	- G

