

Insulating glazing units conform to and exceed test requirements of CAN/CGSB-12.8-M90 and IGMAC certification program.

Skylights are suitable for use on all types of slope roofs with minimum slope requirement of 3:12. Designed for mounting on 1 1/2" (38mm) curbs with flashing (by others), these units provide excellent performance in all geographic locations.

- Flashing kits available for asphalt shingle roofs
- Custom sizes are available upon request



Model G-FF Available Sizes

Model #	B x B Dimensions	Glass Glazing Type	QTY
G-FF 2020	14" x 14" (362mm x 362mm)		
G-FF 2052	14" x 46" (362mm x 1175mm)		
G-FF 2828	22" x 22" (565mm x 565mm)		
G-FF 2836	22" x 30" (565mm x 768mm)		
G-FF 2852	22" x 46" (565mm x 1175mm)		
G-FF 2860	22" x 55" (565mm x 1397mm)		
G-FF 2876	22" x 69" (565mm x 1765mm)		
G-FF 2896	22" x 89" (565mm x 2273mm)		
G-FF 3636	30" x 30" (768mm x 768mm)		
G-FF 3642	30" x 37" (768mm x 940mm)		
G-FF 3652	30" x 46" (768mm x 1175mm)		
G-FF 3660	30" x 55" (768mm x 1397mm)		
G-FF 3676	30" x 69" (768mm x 1765mm)		
G-FF 3696	30" x 89" (768mm x 2273mm)		
G-FF 4242	37" x 37" (940mm x 940mm)		
G-FF 4252	37" x 46" (940mm x 1175mm)		
G-FF 4280	37" x 75" (940mm x 1905mm)		
G-FF 5252	46" x 46" (1175mm x 1175mm)		
G-FF 5260	46" x 55" (1175mm x 1397mm)		
G-FF 5276	46" x 69" (1175mm x 1765mm)		
G-FF CUST.			
G-FF CUST.			

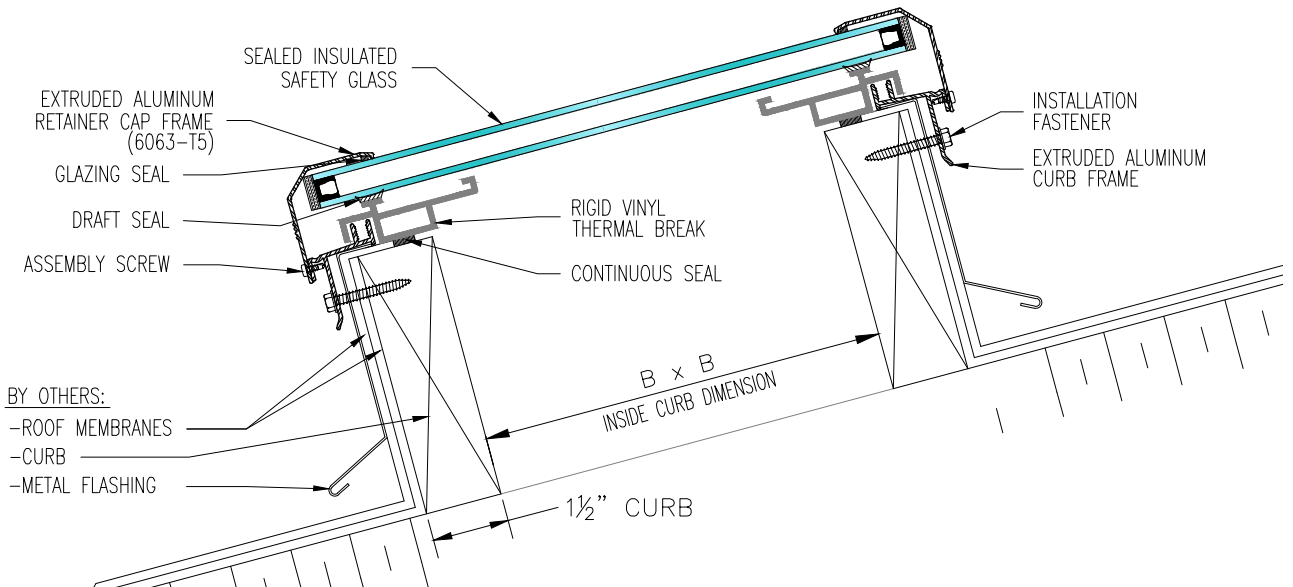
Specifications:

Skylight shall be factory assembled Model No. _____ G-FF as manufactured by Artistic Skylight Domes Ltd. Vaughan, Ontario. Glazing shall consist of, sealed dual tempered glass of clear low-E over clear. The skylight shall consist of corrosion resistant extruded aluminum curb frame, 6063-T5 alloy, with heliarc welded corners. The skylight curb frame shall have an extruded rigid vinyl thermal break (to prevent thermal transfer to interior of building) which incorporates a high capacity, 5 degree sloped condensation gutter with drainage to exterior, and co-extruded rubber draft seal. The retaining cap frame shall be extruded, mill finish (optional baked enamel), 6063-T5 aluminum alloy with heliarc welded corners.

Glass Glazing Available

Glass Glazing	Colour Code	Glass Glazing	Colour Code
Clear/Low-E	- Low-E	Clear/Laminated	- Lami.
Bronze/Low-E	- B/Low-E	Argon/Low-E	- Low-E/Arg

Project:	Architect:
Contractor:	Approved By:
	Date:



BY OTHERS:

- ROOF MEMBRANES
- CURB
- METAL FLASHING