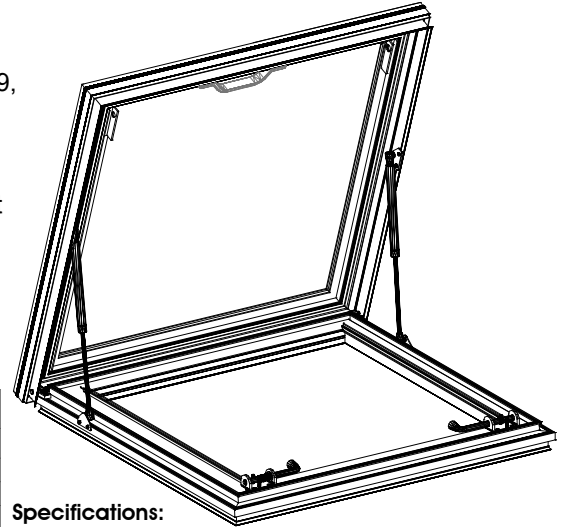


Skylights conform to and exceed test requirements of CAN/CGSB-63.14M89, "Plastic Skylights", Class A, Type 2 or Type 3.

Skylights are suitable for use on flat roofs. Designed for mounting on 1½" (38mm) curbs with flashing (by others), these units combine the natural light of standard skylights with the utility of roof access.

- Custom sizes are available upon request



Specifications:

Skylight shall be factory assembled Model No. _____ HL-FF as manufactured by Artistic Skylight Domes Ltd. Etobicoke, Ontario. Glazing shall consist of, sealed double acrylic domes (or sealed triple domes) of clear, white, bronze, or grey. The hatch shall consist of corrosion resistant extruded aluminum curb frame, 6063-T5 alloy, with heliarc welded corners. The skylight shall have an extruded vinyl thermal break (to prevent thermal transfer to interior of building) which incorporates a high capacity, 8 degree sloped condensation gutter with drainage to exterior. The retaining cap frame shall be extruded, mill finish, 6063-T5 aluminum alloy with heliarc welded corners. This model is fully operational to 70 degrees, controlled by two #30 gas cylinders and grab handle. Hatch shall lock with two spring latch bolts.

| Model HL-FF Available Sizes | | | |
|-----------------------------|-------------------------------|------------|-----|
| Model # | B x B Dimensions | Dome Color | QTY |
| HL-FF 3636 | 30¼" x 30¼" (768mm x 768mm) | | |
| HL-FF 3642 | 30¼" x 37" (768mm x 940mm) | | |
| HL-FF 3652 | 30¼" x 46¼" (768mm x 1175mm) | | |
| HL-FF 3676 | 30¼" x 69½" (768mm x 1765mm) | | |
| HL-FF 4242 | 37" x 37" (940mm x 940mm) | | |
| HL-FF 4252 | 37" x 46¼" (940mm x 1175mm) | | |
| HL-FF 5252 | 46¼" x 46¼" (1175mm x 1175mm) | | |
| HL-FF CUST. | | | |
| HL-FF CUST. | | | |

| Dome Colors Available | | | |
|-----------------------|-------------|------------|-------------|
| Dome Color | Colour Code | Dome Color | Colour Code |
| Clear | - C | White | - W |
| Bronze | - B | Grey | - G |

| | |
|-------------|--------------|
| Project: | |
| Contractor: | Approved By: |
| Architect: | Date: |

