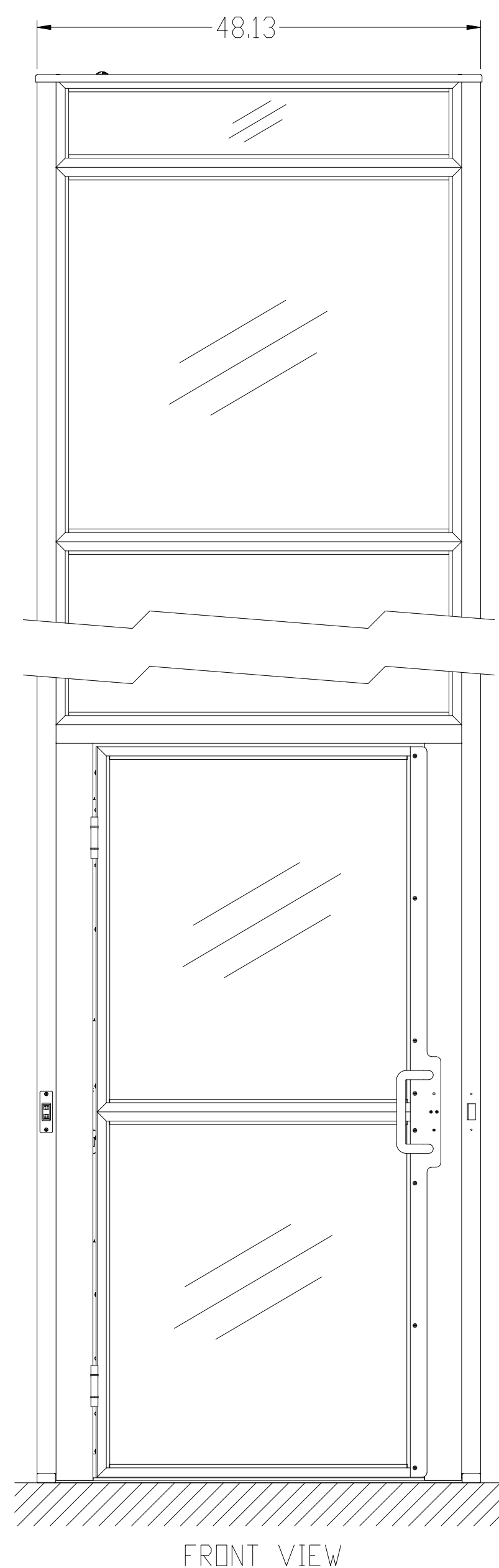
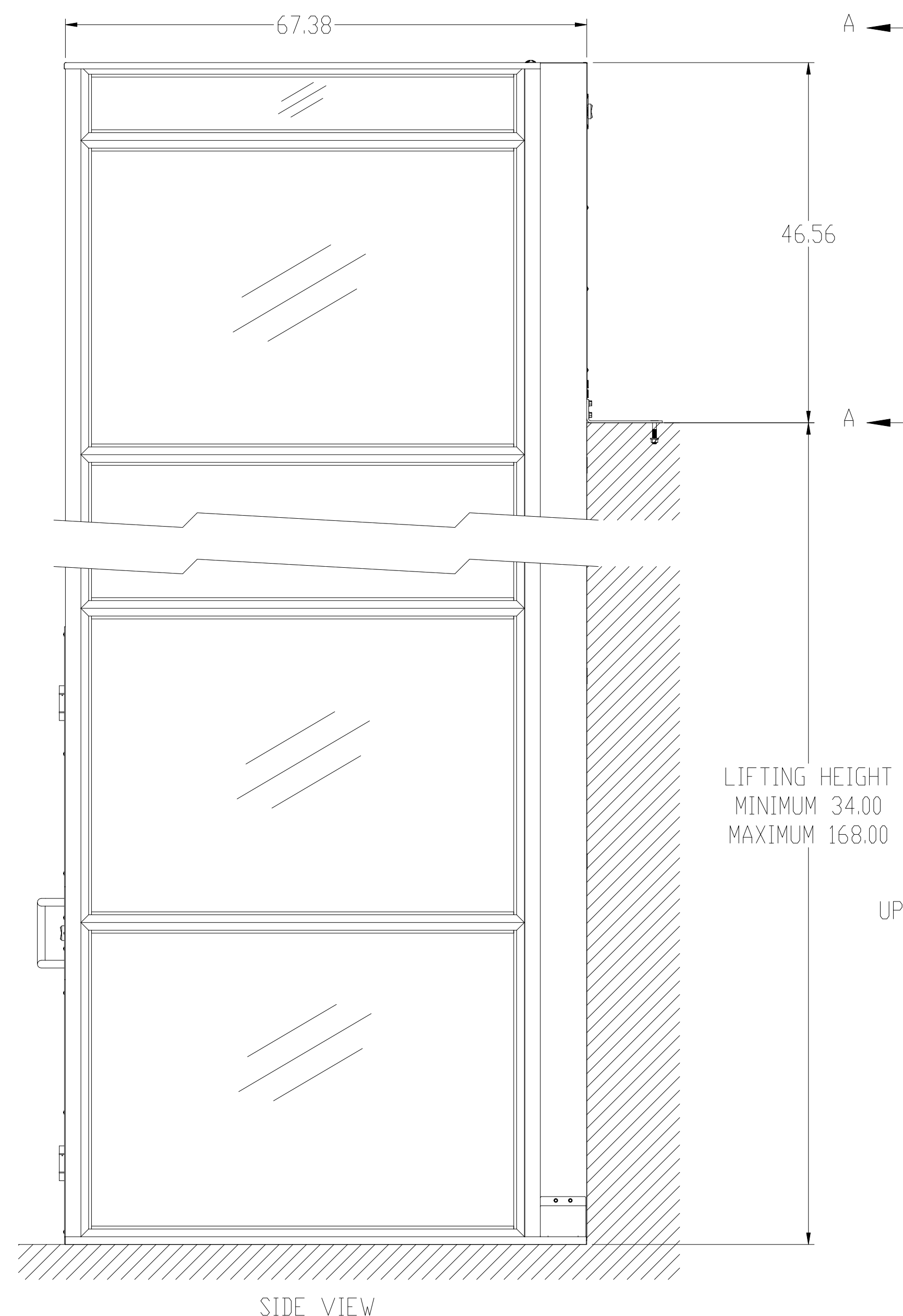


ASCENSION CLARITY MODEL SERIES VERTICAL PLATFORM WHEELCHAIR LIFT WITH RUNWAY ENCLOSURE

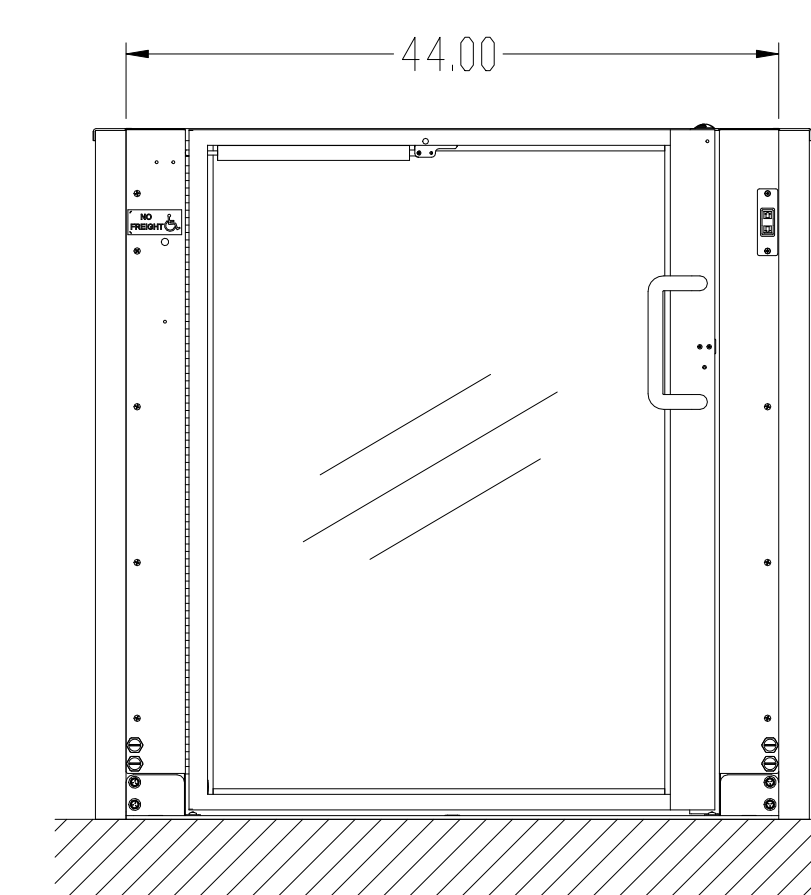
1. CODE COMPLIANCE: ASME A18.1, ASME A17.5, ANSI A117.1, ADAAG, NFPA 70 (NEC).
2. RATINGS
 - 2.1 CAPACITY: 750 LB
 - 2.2 SPEED: 20 FT/MIN
 - 2.3 DUTY: 168 CYCLE-FT/HOUR (12 CYCLES/HOUR MINIMUM).
 - 2.4 TRAVEL: 34.00 TO 168.00 AS ALLOWED BY AHJ.
3. DRIVE & ELECTRICAL
 - 3.1 DRIVE TYPE: 2:1 CHAIN HYDRAULIC
 - 3.2 SUSPENSION: 4X #50 ANSI ROLLER CHAINS
 - 3.3 MOTOR: 24VDC, 3 HP
 - 3.4 ELECTRICAL: 120VAC, 60 HZ, 6A, 1-PHASE.
 - 3.5 ALL CONTROL CIRCUITS 24VDC.
 - 3.6 FULL-TIME BATTERY OPERATION WITH CHARGING.
 - 3.7 **MANUAL LOWERING PULL HANDLE WITH ACCESS LOCK PROVIDED STANDARD AT UPPER LANDING.**
4. SITE CONSIDERATIONS
 - 4.1 DO NOT PROVIDE PIT OR RAMP. LOW-PROFILE PLATFORM FLOOR MEETS ADA REQUIREMENTS AS ENTRY THRESHOLD.
 - 4.2 UPPER LANDING PLATE, .25 THICK, ANCHORS TO TOP OF UPPER LANDING FLOOR SURFACE.
 - 4.3 REFER TO ASCENSION CLARITY STRUCTURAL LOADING DOCUMENT FOR STRUCTURAL AND ANCHORING REQUIREMENTS.
5. LIGHTING AND COMMUNICATIONS
 - 5.1 PRIMARY LIGHTING TO BE PROVIDED BY OTHERS IN ACCORDANCE WITH ALL APPLICABLE CODES AND REGULATIONS.
 - 5.2 ACCENT AND AUXILIARY LIGHTING PROVIDED STANDARD ON PLATFORM CONTROLS AND FLOOR.
 - 5.3 OPTIONAL HANDS-FREE AUTODAILING TELEPHONE ON PLATFORM.
6. ALTERNATE DOOR HANDING AVAILABLE. CONTACT ASCENSION FOR PROJECT-SPECIFIC DRAWINGS.



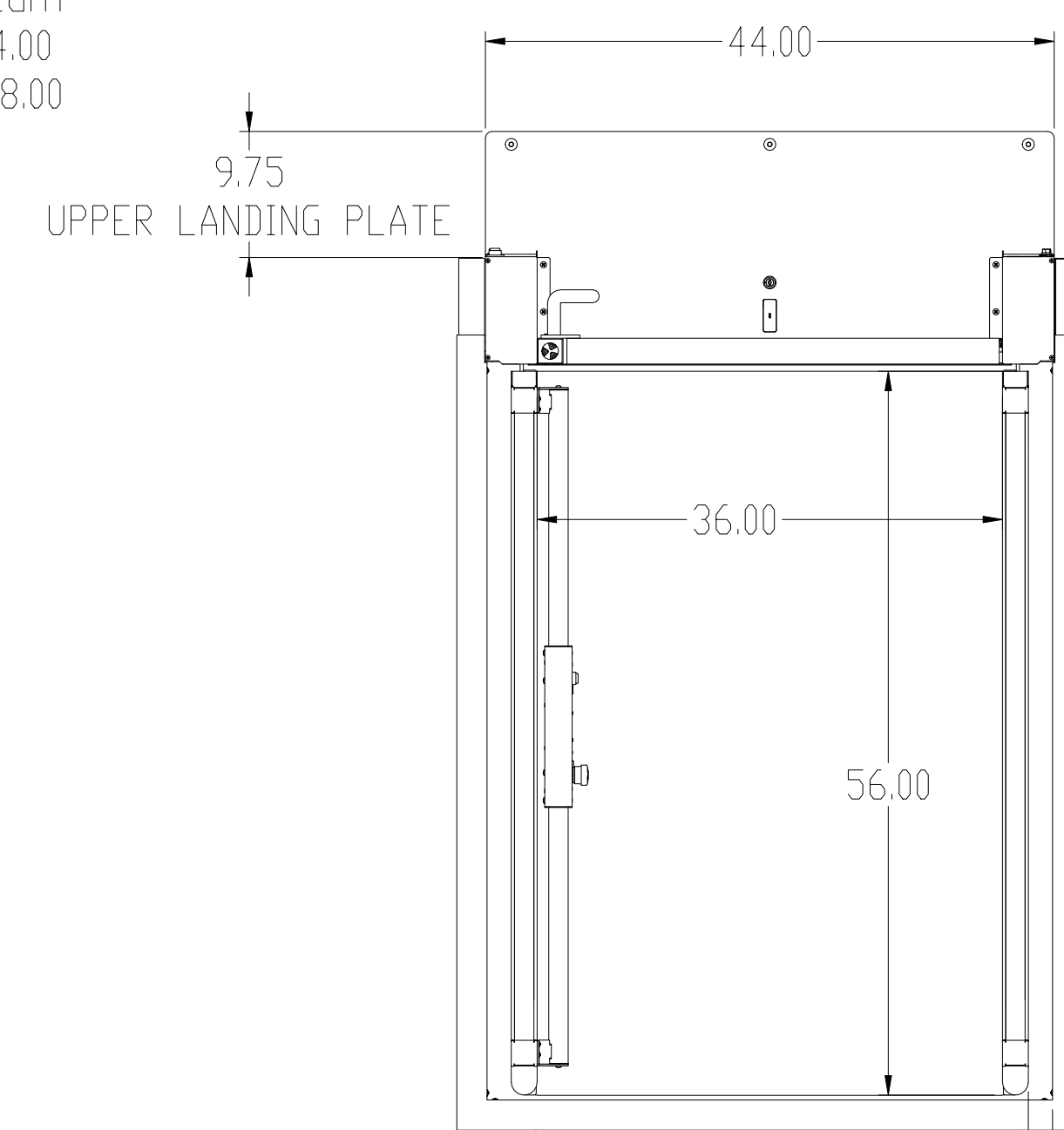
FRONT VIEW



SIDE VIEW

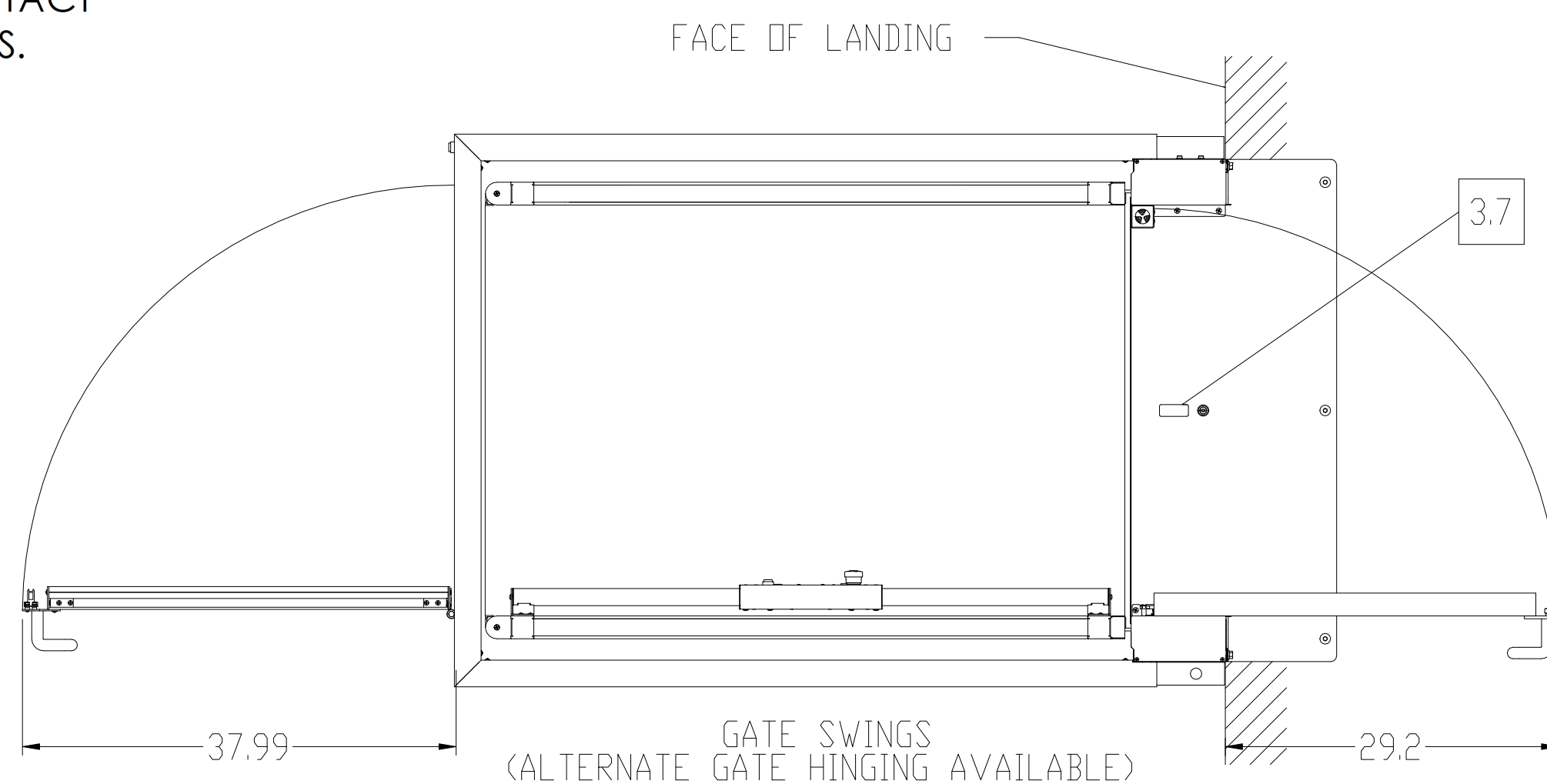


SECTION A-A
VIEW FROM UPPER LANDING
PARTIAL HEIGHT GATE SHOWN,
80" DOOR ALSO AVAILABLE



1.87 RUNNING CLEARANCE EACH SIDE

TOP VIEW



GATE SWINGS
(ALTERNATE GATE HINGING AVAILABLE)

INTERPRET DIMENSIONS AND TOLERANCES IN ACCORDANCE WITH ANSI Y14.5M-1994 UNLESS OTHERWISE SPECIFIED DIMENSIONS ARE IN INCHES (MM) TOLERANCES: DECIMALS .XX ± .250 XXX ± .125 ANGLES ± .5°		CONTRACT DRAWN S.APPELBY DATE 6-18-19 CHECKED APPROVED MANUFACTURING CUSTOMER		TUCSON, ARIZONA P.O. BOX 40820 85717-0820 ASCENSION® TITLE CLARITY VERTICAL PLATFORM LIFT WITH RUNWAY ENCLOSURE SIZE D FSCM NO. 08992 DWG. NO. CLARITY 16E REV B SCALE 1/1 RELEASE DATE SHEET 1 OF 1	
--	--	--	--	---	--