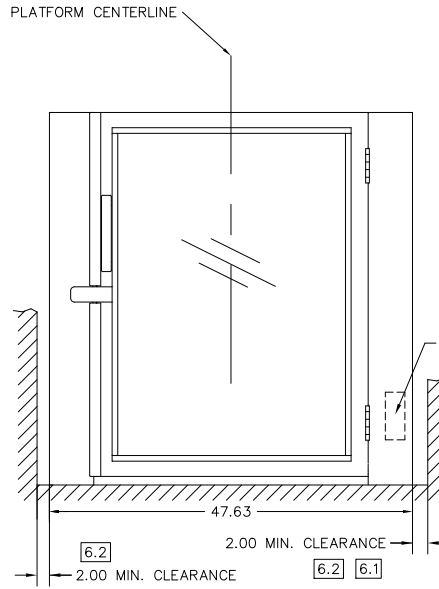


8 7 6 5 4 3 2 1

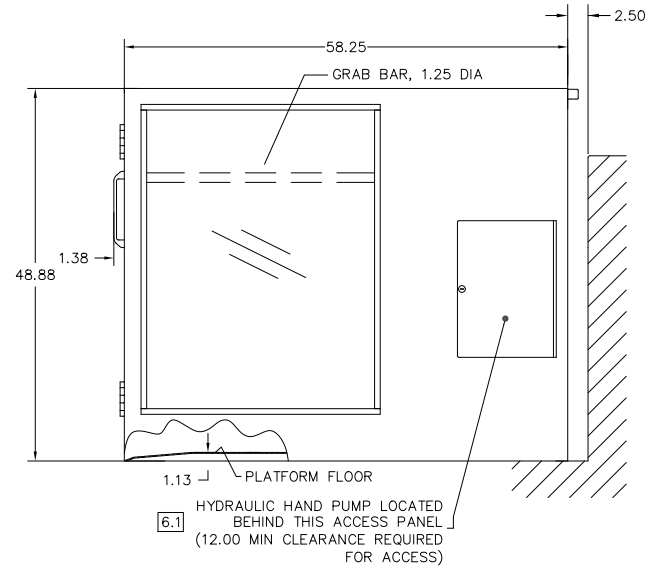
REVISIONS				
ZONE	LTR.	DESCRIPTION	DATE	APPROVED

NOTES UNLESS OTHERWISE SPECIFIED:

1. DESCRIPTION: ASCENSION PROTEGE 5442F MODEL SERIES VERTICAL WHEELCHAIR LIFT.
2. CHARACTERISTICS:
  - 2.1 OCCUPANCY: (1) PERSON.
  - 2.2 MAXIMUM LOAD: 900 POUNDS.
  - 2.3 AVERAGE VERTICAL SPEED: 5 FEET PER MINUTE.
  - 2.4 VERTICAL TRAVEL: 4 TO 42 INCHES.
  - 2.5 WEIGHT: 850 POUNDS.
  - 2.6 FINISH: BLACK POWDER COAT (CUSTOM COLOR AVAILABLE).
3. FEATURES:
  - 3.1 OPERATING MECHANISM: DIRECT-PLUNGER HYDRAULIC.
  - 3.2 MEETS PLATFORM SAFETY REQUIREMENTS PER ASME A18.1 §2.8.8.
  - 3.3 UNIT IS EQUIPPED WITH HAND PUMP FOR MANUAL OPERATION.
  - 3.4 FRONT GATE INTERLOCK PREVENTS OPERATION ABOVE 2" UNLESS GATE IS LOCKED. GATE ONLY UNLOCKS AT LOWER LANDING.
  - 3.5 GATE SENSORS PREVENT OPERATION UNLESS GATES ARE CLOSED.
  - 3.6 PLATFORM FLOOR IS SLIP-RESISTANT.
  - 3.7 UNIT IS EQUIPPED WITH EMERGENCY STOP BUTTON THAT, WHEN PRESSED, STOPS OPERATION OF THE LIFT AND SOUNDS AN ALARM.
  - 3.8 UNDERSIDE OF PLATFORM IS GUARDED BY A SAFETY PAN THAT STOPS OPERATION OF THE LIFT WHEN DOWNWARD MOVEMENT IS OBSTRUCTED.
4. ELECTRICAL & CONTROLS:
  - 4.1 120 VAC, 60 HZ, SINGLE PHASE, 15 AMP MINIMUM SERVICE LINE.
  - 4.2 ALL CONTROL CIRCUITS POWERED BY 24 VDC POWER SUPPLY.
  - 4.3 LANDING OPERATING CONTROLS PROVIDED IN 1.88" DEEP SINGLE GANG HANDY BOXES FOR REMOTE MOUNTING.
5. UNIT MEETS APPLICABLE REQUIREMENTS OF ADAAG, ASME 17.1 1996 OR OLDER, ASME A18.1, AND ANSI A117.1.
6. REQUIRED CLEARANCES:
  - 6.1 WHERE STANDBY POWER OR BATTERY BACKUP IS NOT PROVIDED, EITHER 12.00" MINIMUM CLEARANCE FOR HAND PUMP ACCESS SHALL BE PROVIDED OR FRONT LOWERING VALVE (FLV) OPTION SHALL BE SELECTED. CALIFORNIA REQUIRES BOTH HAND PUMP ACCESS (OR FLV) AND BATTERY BACKUP FOR ALL INSTALLATIONS.
  - 6.2 WHERE AN OBSTRUCTION OR SURFACE LOCATED WITHIN 12" OF PLATFORM PRESENTS A PINCHING, SHEARING, OR CRUSHING HAZARD, A SMOOTH CONTINUOUS SURFACE SHALL BE PROVIDED EXTENDING FROM THE LOWER LANDING TO 42" MINIMUM ABOVE UPPER LANDING.
  - 6.3 MANEUVERING CLEARANCES IAW ADAAG SHALL BE PROVIDED AT EACH LANDING FOR BOTH ENTRANCES TO THE LIFT.
7. PROVISIONS BY OTHERS:
  - 7.1 FLOOR FLAT AND LEVEL WITHIN 1/2" AND CAPABLE OF SUPPORTING UNIT WEIGHT WITH RATED LOAD.
  - 7.2 STANDARD AND EMERGENCY LIGHTING.
  - 7.3 ANCHORS TO SECURE LIFT TO GROUND.
8. STANDARD GATE HINGING SHOWN; MIRROR GATES AND DIMENSIONS ABOUT PLATFORM CENTERLINE FOR OTHER HINGE CONFIGURATIONS.



FRONT END ELEVATION [8.]



RIGHT SIDE ELEVATION

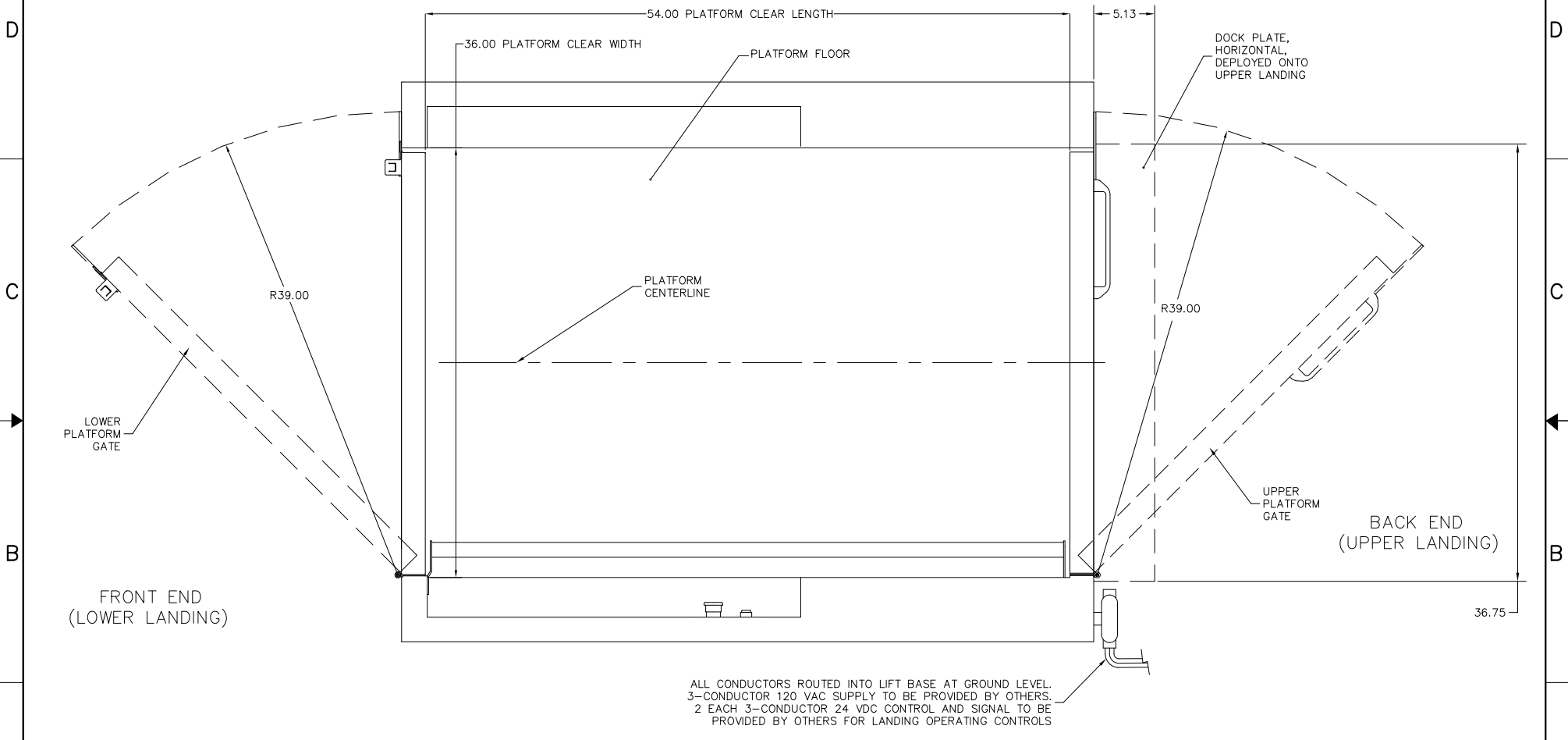
SEE SHEET 3

ASCENSION P/N: \_\_\_\_\_

INTERPRET DIMENSIONS AND TOLERANCES IAW AND 114.04-1982 UNLESS OTHERWISE SPECIFIED DIMENSIONS ARE IN INCHES TOLERANCES: DECIMALS .XX ±.05 .XXX ±.030 ANGLES 0.5° DO NOT SCALE DRAWING		CONTRACT NO. _____ DATE 12-6-18 DRAWN BY S. APPLEBY CHECKED BY _____ APPROVED By Philip Brobeck at 12:11 pm, Dec 06, 2018 MANUFACTURING _____ CUSTOMER _____	<b>CGM CONTAINER CONTROLS, INC.</b> P.O. BOX 40020 - TUCSON, ARIZONA 85717-0020 <b>PROTEGE 5442F MODEL SERIES WHEELCHAIR LIFT</b>
PART NO. _____ NEXT FINAL QTY. REQD PER ASSY. _____ APPLICATION _____	NEXT ASSY. _____ USED ON _____ SIMILAR TO _____ ACT. WT. _____ CALC. WT. _____	SIZE D FSCM NO. 08992 SCALE 1/8" = 1'-0" RELEASE-BAR _____ SHEET 1 OF 3	TITLE PROTEGE 5442F MODEL SERIES WHEELCHAIR LIFT REV E

8 7 6 5 4 3 2 1

REVISIONS				
ZONE	LTR.	DESCRIPTION	DATE	APPROVED



ALL CONDUCTORS ROUTED INTO LIFT BASE AT GROUND LEVEL.  
 3-CONDUCTOR 120 VAC SUPPLY TO BE PROVIDED BY OTHERS.  
 2 EACH 3-CONDUCTOR 24 VDC CONTROL AND SIGNAL TO BE PROVIDED BY OTHERS FOR LANDING OPERATING CONTROLS

PLAN VIEW

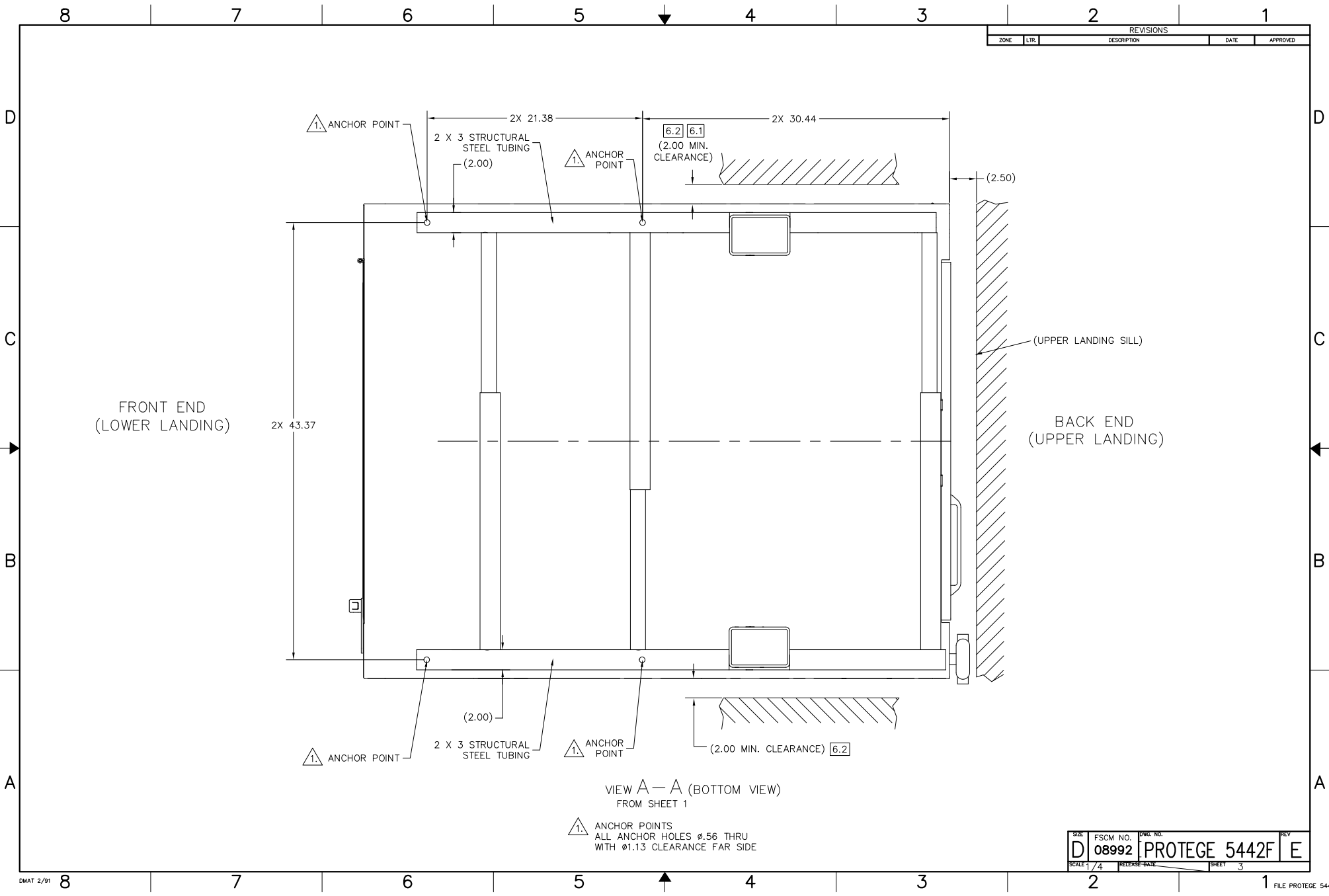
GATE HINGE CONFIGURATIONS: **8**

- 1. STANDARD GATE HINGING: ALL GATES AS SHOWN.
- 2. OPPOSITE-HINGED LOWER PLATFORM GATE: MIRROR LOWER PLATFORM GATE ABOUT PLATFORM CENTERLINE.
- 3. OPPOSITE-HINGED UPPER PLATFORM GATE: MIRROR UPPER PLATFORM GATE ABOUT PLATFORM CENTERLINE.
- 4. ALL GATES OPPOSITE HINGED: MIRROR ALL GATES ABOUT PLATFORM CENTERLINE.

SIZE	FSCM NO.	DWG. NO.	REV
D	08992	PROTEGE 5442F	E
SCALE 1/4	RELEASE DATE	SHEET 2	FILE PROTEGE 5442F

DMAT 2/91 8 7 6 5 4 3 2 1

REVISIONS				
ZONE	LTR.	DESCRIPTION	DATE	APPROVED



VIEW A—A (BOTTOM VIEW)  
FROM SHEET 1

ANCHOR POINTS  
ALL ANCHOR HOLES Ø.56 THRU  
WITH Ø1.13 CLEARANCE FAR SIDE

SIZE D	FSCM NO. 08992	DWG. NO. PROTEGE 5442F	REV E
SCALE 1/4	RELEASE DATE	SHEET 3	FILE PROTEGE 5442F