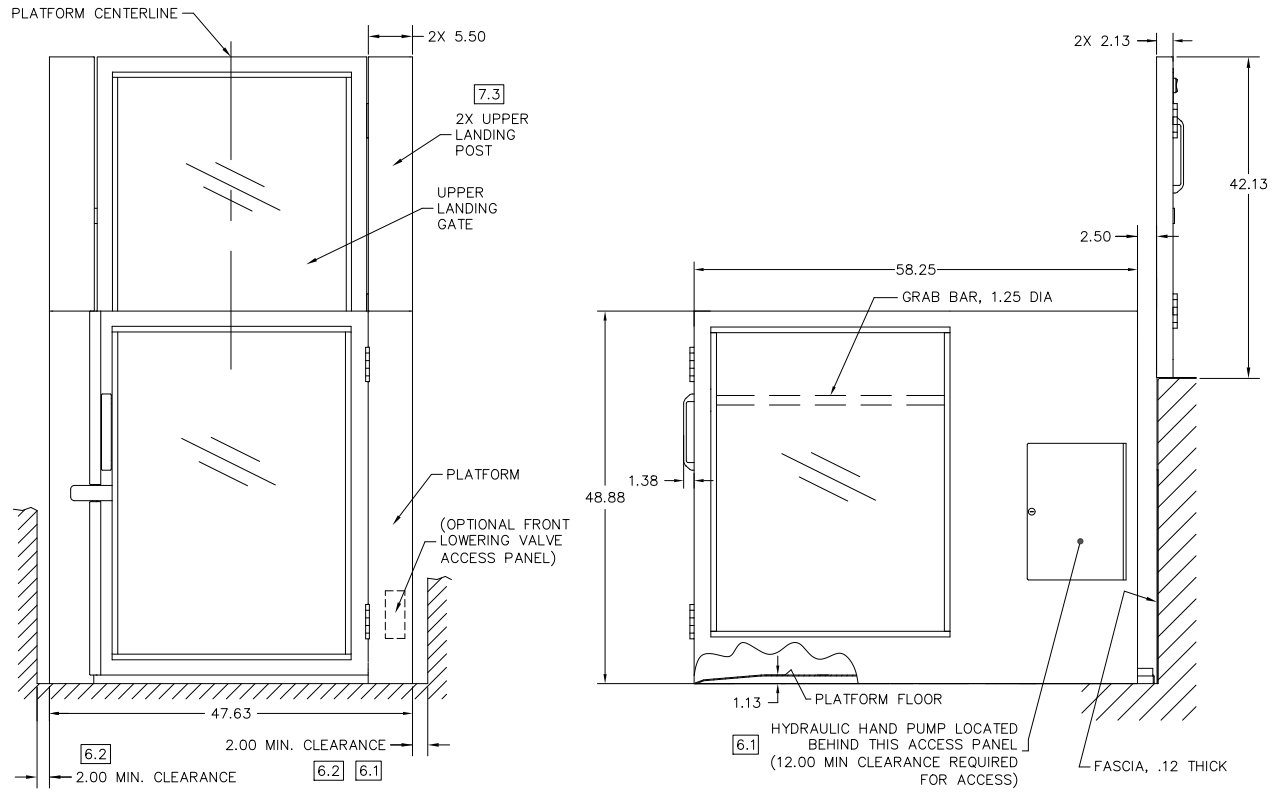


8 7 6 5 4 3 2 1

REVISIONS				
ZONE	LTR.	DESCRIPTION	DATE	APPROVED

NOTES UNLESS OTHERWISE SPECIFIED:

1. DESCRIPTION: ASCENSION PROTEGE 5442FG MODEL SERIES VERTICAL WHEELCHAIR LIFT.
2. CHARACTERISTICS:
 - 2.1 OCCUPANCY: (1) PERSON.
 - 2.2 MAXIMUM LOAD: 900 POUNDS.
 - 2.3 AVERAGE VERTICAL SPEED: 5 FEET PER MINUTE.
 - 2.4 VERTICAL TRAVEL: 4 TO 42 INCHES.
 - 2.5 WEIGHT: 850 POUNDS.
 - 2.6 FINISH: BLACK POWDER COAT (CUSTOM COLOR AVAILABLE).
3. FEATURES:
 - 3.1 OPERATING MECHANISM: DIRECT-PLUNGER HYDRAULIC.
 - 3.2 MEETS PLATFORM SAFETY REQUIREMENTS PER ASME A18.1 §2.8.8. UNIT IS EQUIPPED WITH HAND PUMP FOR MANUAL OPERATION.
 - 3.3 FRONT GATE INTERLOCK PREVENTS OPERATION ABOVE 2" UNLESS GATE IS LOCKED. GATE ONLY UNLOCKS AT LOWER LANDING.
 - 3.4 GATE SENSORS PREVENT OPERATION UNLESS GATES ARE CLOSED.
 - 3.5 PLATFORM FLOOR IS SLIP-RESISTANT.
 - 3.6 UNIT IS EQUIPPED WITH EMERGENCY STOP BUTTON THAT, WHEN PRESSED, STOPS OPERATION OF THE LIFT AND SOUNDS AN ALARM.
 - 3.7 UNDERSIDE OF PLATFORM IS GUARDED BY A SAFETY PAN THAT STOPS OPERATION OF THE LIFT WHEN DOWNWARD MOVEMENT IS OBSTRUCTED.
4. ELECTRICAL & CONTROLS:
 - 4.1 120 VAC, 60 HZ, SINGLE PHASE, 15 AMP MINIMUM SERVICE LINE.
 - 4.2 ALL CONTROL CIRCUITS POWERED BY 24 VDC POWER SUPPLY.
 - 4.3 LOWER LANDING OPERATING CONTROLS PROVIDED IN 1.88" DEEP SINGLE GANG HANDY BOX FOR REMOTE MOUNTING.
 - 4.4 UPPER LANDING CONTROLS PROVIDED ON UPPER LANDING GATE.
5. UNIT MEETS APPLICABLE REQUIREMENTS OF ADAAG, ASME 17.1 1996 OR OLDER, ASME A18.1, AND ANSI A117.1.
6. REQUIRED CLEARANCES:
 - 6.1 WHERE STANDBY POWER OR BATTERY BACKUP IS NOT PROVIDED, EITHER 12.00" MINIMUM CLEARANCE FOR HAND PUMP ACCESS SHALL BE PROVIDED OR FRONT LOWERING VALVE (FLV) OPTION SHALL BE SELECTED. CALIFORNIA REQUIRES BOTH HAND PUMP ACCESS (OR FLV) AND BATTERY BACKUP FOR ALL INSTALLATIONS.
 - 6.2 WHERE AN OBSTRUCTION OR SURFACE LOCATED WITHIN 12" OF PLATFORM PRESENTS A PINCHING, SHEARING, OR CRUSHING HAZARD, A SMOOTH CONTINUOUS SURFACE SHALL BE PROVIDED EXTENDING FROM THE LOWER LANDING TO 42" MINIMUM ABOVE UPPER LANDING.
 - 6.3 MANUVERING CLEARANCES IAW ADAAG SHALL BE PROVIDED AT EACH LANDING FOR BOTH ENTRANCES TO THE LIFT.
7. PROVISIONS BY OTHERS:
 - 7.1 FLOOR FLAT AND LEVEL WITHIN 1/2" AND CAPABLE OF SUPPORTING UNIT WEIGHT WITH RATED LOAD.
 - 7.2 STANDARD AND EMERGENCY LIGHTING.
 - 7.3 SIDE SUPPORTS AND ATTACHMENT BRACKETS FOR UPPER LANDING GATE POSTS, SUPPORTS AND BRACKETS TO SUPPORT 125 LBF.
 - 7.4 ANCHORS TO SECURE LIFT TO GROUND.
8. STANDARD GATE HINGING SHOWN; MIRROR GATES AND DIMENSIONS ABOUT PLATFORM CENTERLINE FOR OTHER HINGE CONFIGURATIONS.



FRONT END ELEVATION [8.]

RIGHT SIDE ELEVATION

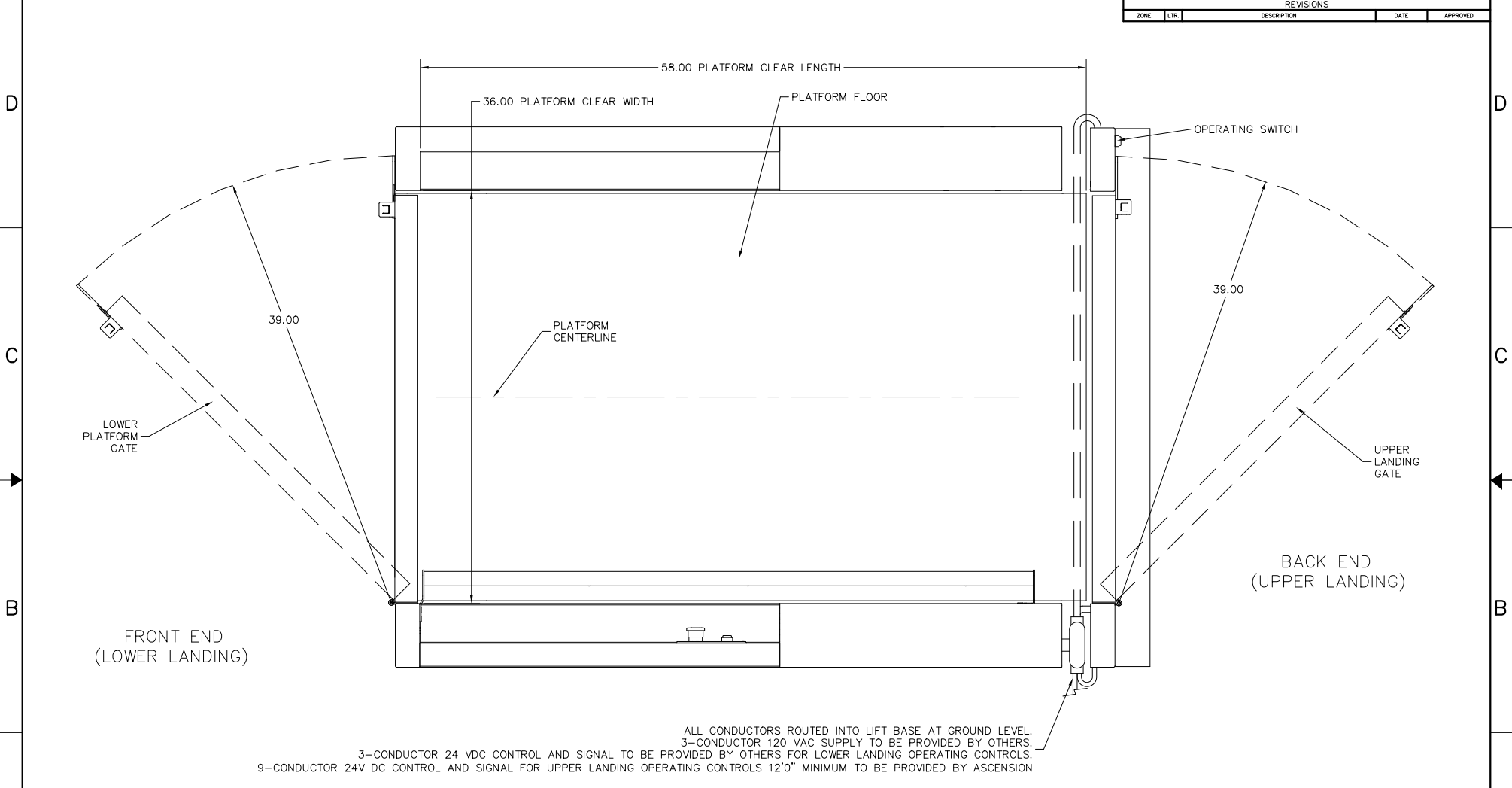
SEE SHEET 3

ASCENSION P/N: _____

INTERPRET DIMENSIONS AND TOLERANCES IAW ASME Y14.5M-1992 UNLESS OTHERWISE SPECIFIED DIMENSIONS ARE IN INCHES DECIMALS: XX.XX ANGLES: 0.5° TOLERANCES: .XXX ±0.030 DO NOT SCALE DRAWING		CONTRACT NO. _____ DATE 12-6-18 DRAWN BY S. APPLEBY CHECKED BY [APPROVED] By Philip Brobeck at 12:20 pm, Dec 06, 2018	CGM CONTAINER CONTROLS, INC. P.O. BOX 40020 - TUCSON, ARIZONA 85717-0020 PROTEGE 5442FG MODEL SERIES WHEELCHAIR LIFT
PART NO. _____ QTY. PER ASSY. _____ NEXT FINAL _____ NEXT ASSY. _____ USED ON _____ APPLICATION _____	SIMILAR TO _____ PACT. WT. _____ CALC. WT. _____	MANUFACTURING _____ SYSTEMS _____	SIZE D FSCM NO. 08992 DWG. NO. PROTEGE 5442FG SCALE 1/8" = 1'-0" RELEASE-BANK _____ SHEET 1 OF 3

8 7 6 5 4 3 2 1

REVISIONS				
ZONE	LTR.	DESCRIPTION	DATE	APPROVED



ALL CONDUCTORS ROUTED INTO LIFT BASE AT GROUND LEVEL.
 3-CONDUCTOR 120 VAC SUPPLY TO BE PROVIDED BY OTHERS.
 3-CONDUCTOR 24 VDC CONTROL AND SIGNAL TO BE PROVIDED BY OTHERS FOR LOWER LANDING OPERATING CONTROLS.
 9-CONDUCTOR 24V DC CONTROL AND SIGNAL FOR UPPER LANDING OPERATING CONTROLS 12'0" MINIMUM TO BE PROVIDED BY ASCENSION

PLAN VIEW

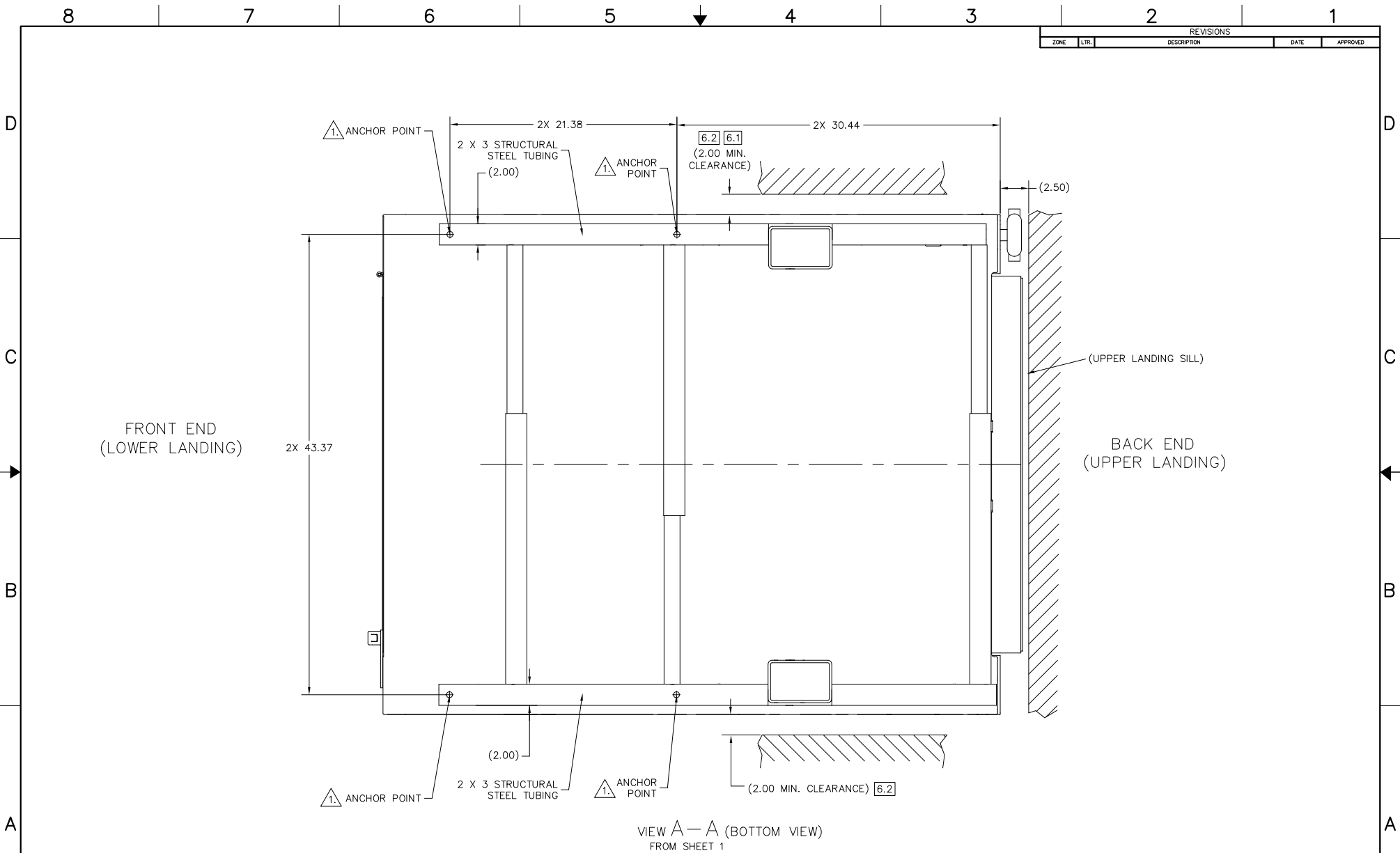
GATE HINGE CONFIGURATIONS: 8

- 1. STANDARD GATE HINGING: ALL GATES AS SHOWN.
- 2. OPPOSITE-HINGED LOWER PLATFORM GATE: MIRROR LOWER PLATFORM GATE ABOUT PLATFORM CENTERLINE.
- 3. OPPOSITE-HINGED UPPER PLATFORM GATE AND UPPER LANDING GATE: MIRROR UPPER PLATFORM GATE AND UPPER LANDING GATE ABOUT PLATFORM CENTERLINE.
- 4. ALL GATES OPPOSITE HINGED: MIRROR ALL GATES ABOUT PLATFORM CENTERLINE.

SIZE D	FSCM NO. 08992	DWG. NO. PROTEGE 5442FG	REV F
SCALE 1/4	RELEASE DATE	SHEET 2	FILE PROTEGE 5442FG

DMAT 2/91 8 7 6 5 4 3 2 1

REVISIONS				
ZONE	LTR.	DESCRIPTION	DATE	APPROVED



1. ANCHOR POINTS
ALL ANCHOR HOLES $\phi.56$ THRU
WITH $\phi.13$ CLEARANCE FAR SIDE

SIZE	FSCM NO.	DWG. NO.	REV
D	08992	PROTEGE 5442FG	F
SCALE	1/4	RELEASE DATE	SHEET 3