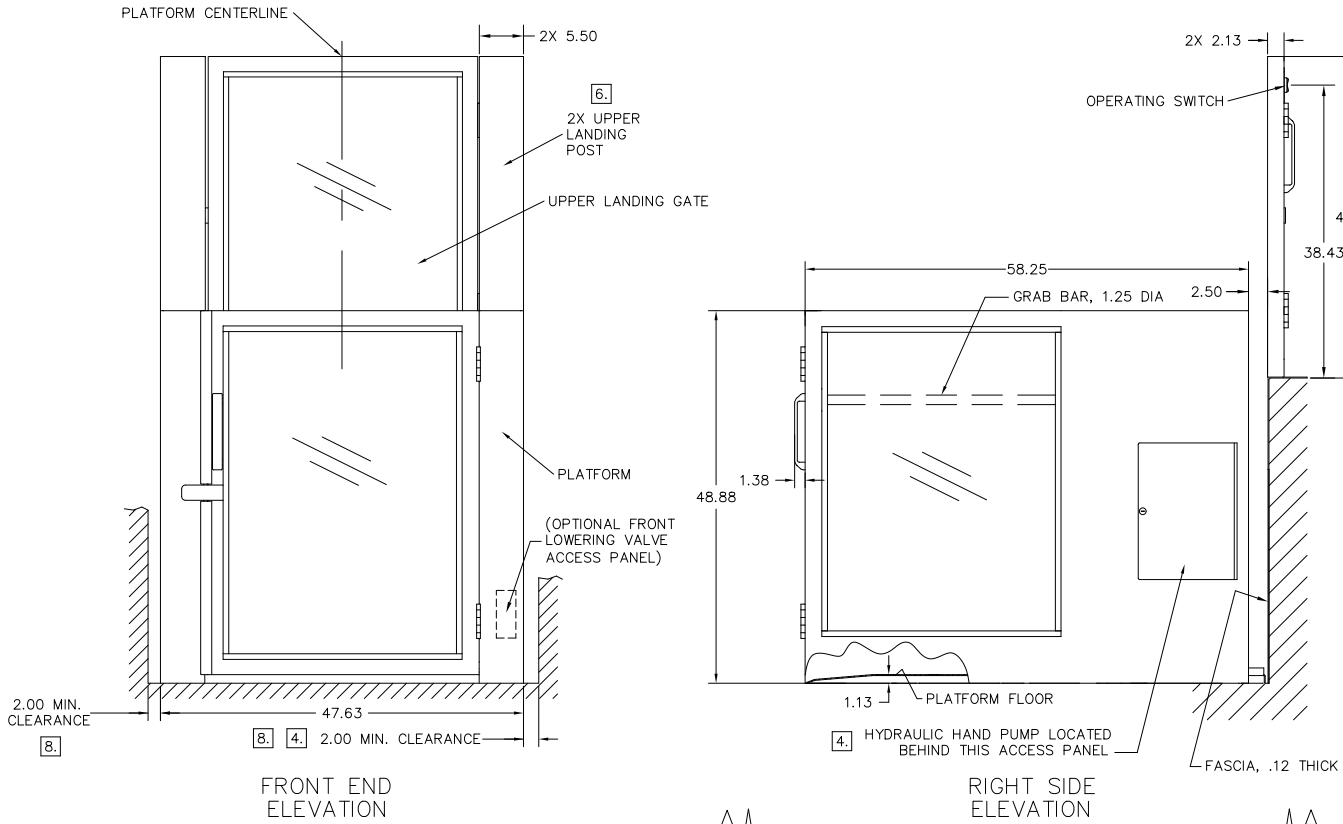


THIS DOCUMENT CONTAINS PROPRIETARY INFORMATION AND EXCEPT WITH WRITTEN PERMISSION BY AGM CONTAINER CONTROLS, INC. SUCH INFORMATION SHALL NOT BE PUBLISHED, DISCLOSED TO OTHERS OR USED FOR ANY PURPOSE AND THE DOCUMENT SHALL NOT BE DUPLICATED IN WHOLE OR IN PART.

REVISIONS				
ZONE	LTR.	DESCRIPTION	DATE	APPROVED

NOTES UNLESS OTHERWISE SPECIFIED:

1. DESCRIPTION: ASCENSION PROTEGE 5442FG MODEL SERIES VERTICAL WHEELCHAIR LIFT
2. ELECTRICAL & CONTROLS:
 - 2.1 120 VAC, 60 HZ, SINGLE PHASE, 15 AMP MINIMUM SERVICE LINE.
 - 2.2 LOWER LANDING OPERATING CONTROLS PROVIDED IN 1.88" DEEP SINGLE GANG HANDY BOX FOR REMOTE MOUNTING.
 - 2.3 UPPER LANDING OPERATING CONTROLS PROVIDED AT UPPER LANDING GATE.
 - 2.4 ALL CONTROL CIRCUITS POWERED BY 24 VDC POWER SUPPLY.
3. LIGHTING: STANDARD AND EMERGENCY LIGHTING TO BE PROVIDED BY OTHERS.
4. (SHEETS 1 & 3) INDICATED MINIMUM CLEARANCE (ON RIGHT SIDE ONLY) SHALL BE INCREASED TO 13.00" FOR HAND PUMP ACCESS WHERE STANDBY POWER OR BATTERY BACKUP IS NOT PROVIDED, AND FOR ALL INSTALLATIONS IN CALIFORNIA. OMIT THIS REQUIREMENT WHEN FRONT LOWERING VALVE OPTION IS SELECTED.
5. REINFORCED CONCRETE SLAB REQUIRED, 4" THICK, 3500 PSI, FLAT AND LEVEL WITHIN 1/2".
6. UPPER LANDING POSTS NOT SELF-SUPPORTING. SIDE SUPPORTS AND ATTACHMENT BRACKETS TO SUPPORT 125 LBF TO BE PROVIDED BY OTHERS.
7. ANCHORS TO BE PROVIDED BY INSTALLER.
8. WHERE AN OBSTRUCTION OR SURFACE LOCATED WITHIN 12" OF PLATFORM PRESENTS A PINCHING, SHEARING, OR CRUSHING HAZARD, A SMOOTH CONTINUOUS SURFACE SHALL BE PROVIDED EXTENDING FROM LOWER LANDING TO 42" MINIMUM ABOVE UPPER LANDING.

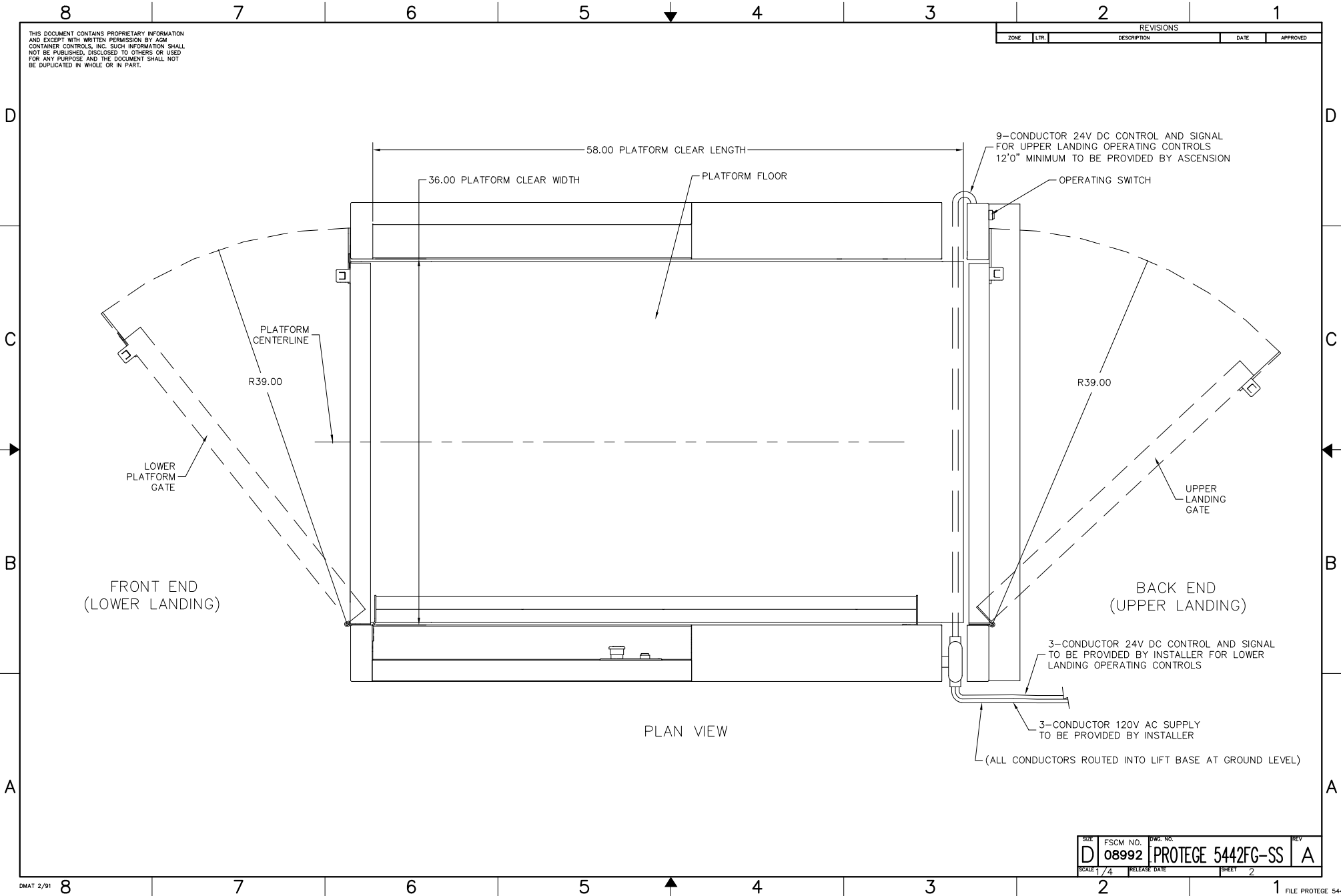


INTERPRET DIMENSIONS AND TOLERANCES IN INCHES UNLESS OTHERWISE SPECIFIED DIMENSIONS ARE IN INCHES DECIMALS: XX .X.XX ANGLES: XXX .X.XX TOLERANCES: .5"		CONTRACT NO. _____ DATE _____ DRAWN BY: B. KOOMAR 1-9-12 CHECKED BY: E. ZUERCHER 1-18-12 APPROVED BY: E. ZUERCHER 1-18-12 MANUFACTURING _____		AGM CONTAINER CONTROLS, INC. P.O. BOX 40020 - TUCSON, ARIZONA 85717-0020 PROTEGE 5442FG MODEL SERIES WHEELCHAIR LIFT	
DO NOT SCALE DRAWING PART NO. _____ NEXT FINAL _____ QTY. REQD PER ASSY. _____ NEXT ASSY. _____ USED ON _____ APPLICATION _____		SIMILAR TO _____ PWT. _____ ACT. WT. _____ CALC. WT. _____		SIZE: D FSCM NO.: 08992 DWG. NO.: PROTEGE 5442FG-SS SCALE: 1/8" = 1'-0" SHEET: 1 OF 3	

ASCENSION P/N: _____

THIS DOCUMENT CONTAINS PROPRIETARY INFORMATION AND EXCEPT WITH WRITTEN PERMISSION BY AGM CONTAINER CONTROLS, INC. SUCH INFORMATION SHALL NOT BE PUBLISHED, DISCLOSED TO OTHERS OR USED FOR ANY PURPOSE AND THE DOCUMENT SHALL NOT BE DUPLICATED IN WHOLE OR IN PART.

REVISIONS				
ZONE	LTR.	DESCRIPTION	DATE	APPROVED



PLAN VIEW

3-CONDUCTOR 24V DC CONTROL AND SIGNAL TO BE PROVIDED BY INSTALLER FOR LOWER LANDING OPERATING CONTROLS

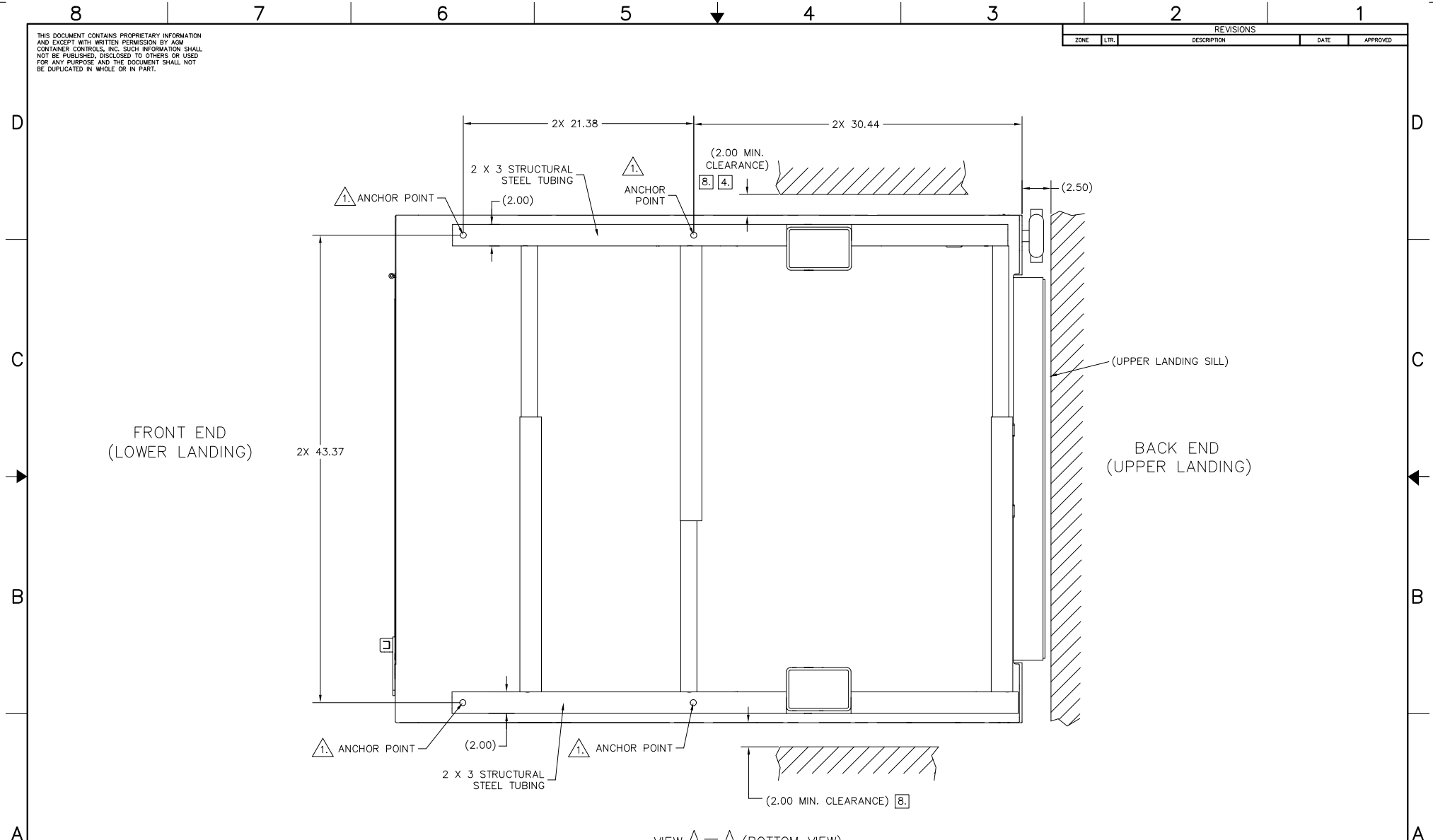
3-CONDUCTOR 120V AC SUPPLY TO BE PROVIDED BY INSTALLER

(ALL CONDUCTORS ROUTED INTO LIFT BASE AT GROUND LEVEL)

SIZE D	FSCM NO. 08992	DWG. NO. PROTEGE 5442FG-SS	REV A
SCALE 1/4	RELEASE DATE	SHEET 2	FILE PROTEGE 5442FG

THIS DOCUMENT CONTAINS PROPRIETARY INFORMATION AND EXCEPT WITH WRITTEN PERMISSION BY AGM CONTAINER CONTROLS, INC. SUCH INFORMATION SHALL NOT BE PUBLISHED, DISCLOSED TO OTHERS OR USED FOR ANY PURPOSE AND THE DOCUMENT SHALL NOT BE DUPLICATED IN WHOLE OR IN PART.

REVISIONS				
ZONE	LTR.	DESCRIPTION	DATE	APPROVED



VIEW A—A (BOTTOM VIEW)
FROM SHEET 1

1. ANCHOR POINTS
ALL ANCHOR HOLES $\phi.56$ THRU
WITH $\phi.13$ CLEARANCE FAR SIDE

SIZE	FSCM NO.	DWG. NO.	REV.
D	08992	PROTEGE 5442FG-SS	A
SCALE	1/4	RELEASE DATE	SHEET 3