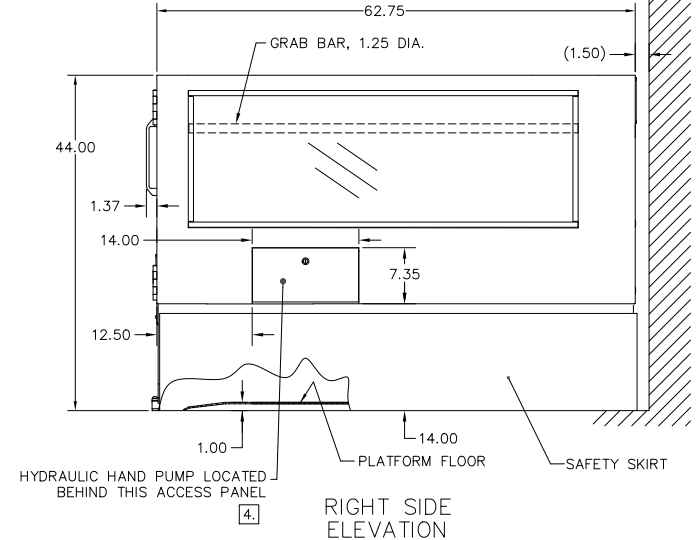
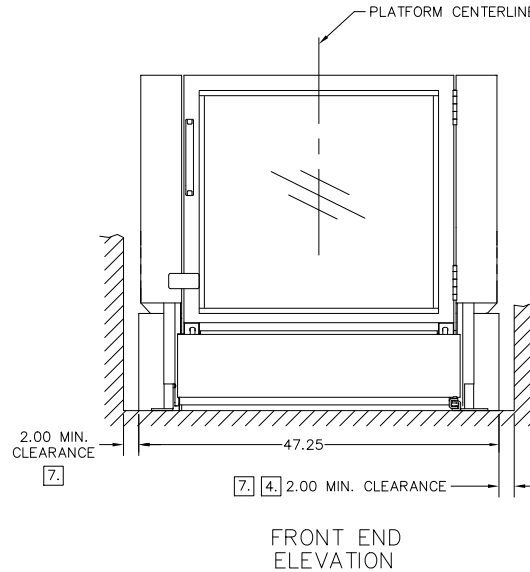


THIS DOCUMENT CONTAINS PROPRIETARY INFORMATION AND EXCEPT WITH WRITTEN PERMISSION BY AGM CONTAINER CONTROLS, INC. SUCH INFORMATION SHALL NOT BE PUBLISHED, DISCLOSED TO OTHERS OR USED FOR ANY PURPOSE AND THE DOCUMENT SHALL NOT BE DUPLICATED IN WHOLE OR IN PART.

REVISIONS				
ZONE	LTR.	DESCRIPTION	DATE	APPROVED

NOTES UNLESS OTHERWISE SPECIFIED:

1. DESCRIPTION: ASCENSION VIRTUOSO 5460F MODEL SERIES VERTICAL WHEELCHAIR LIFT
2. ELECTRICAL & CONTROLS:
 - 2.1 120 VAC, 60 HZ, SINGLE PHASE, 15 AMP MINIMUM SERVICE LINE.
 - 2.2 LANDING OPERATING CONTROLS PROVIDED IN 1.88" DEEP SINGLE GANG HANDY BOX FOR REMOTE MOUNTING.
 - 2.3 ALL CONTROL CIRCUITS POWERED BY 12 VDC SOLID STATE LINEAR POWER SUPPLY.
3. LIGHTING: STANDARD AND EMERGENCY LIGHTING TO BE PROVIDED BY OTHERS.
4. (SHEETS 1 & 3) INDICATED MINIMUM CLEARANCE (ON RIGHT SIDE ONLY) SHALL BE INCREASED TO 8.00" FOR HAND PUMP ACCESS WHERE STANDBY POWER OR BATTERY BACKUP IS NOT PROVIDED, AND FOR ALL INSTALLATIONS IN CALIFORNIA.
5. REINFORCED CONCRETE SLAB REQUIRED, 4" THICK, 3500 PSI, FLAT AND LEVEL WITHIN 1/2".
6. ANCHORS TO BE PROVIDED BY INSTALLER.
7. WHERE AN OBSTRUCTION OR SURFACE LOCATED WITHIN 12" OF PLATFORM PRESENTS A PINCHING, SHEARING, OR CRUSHING HAZARD, A SMOOTH CONTINUOUS SURFACE SHALL BE PROVIDED EXTENDING FROM LOWER LANDING TO 42" MINIMUM ABOVE UPPER LANDING.



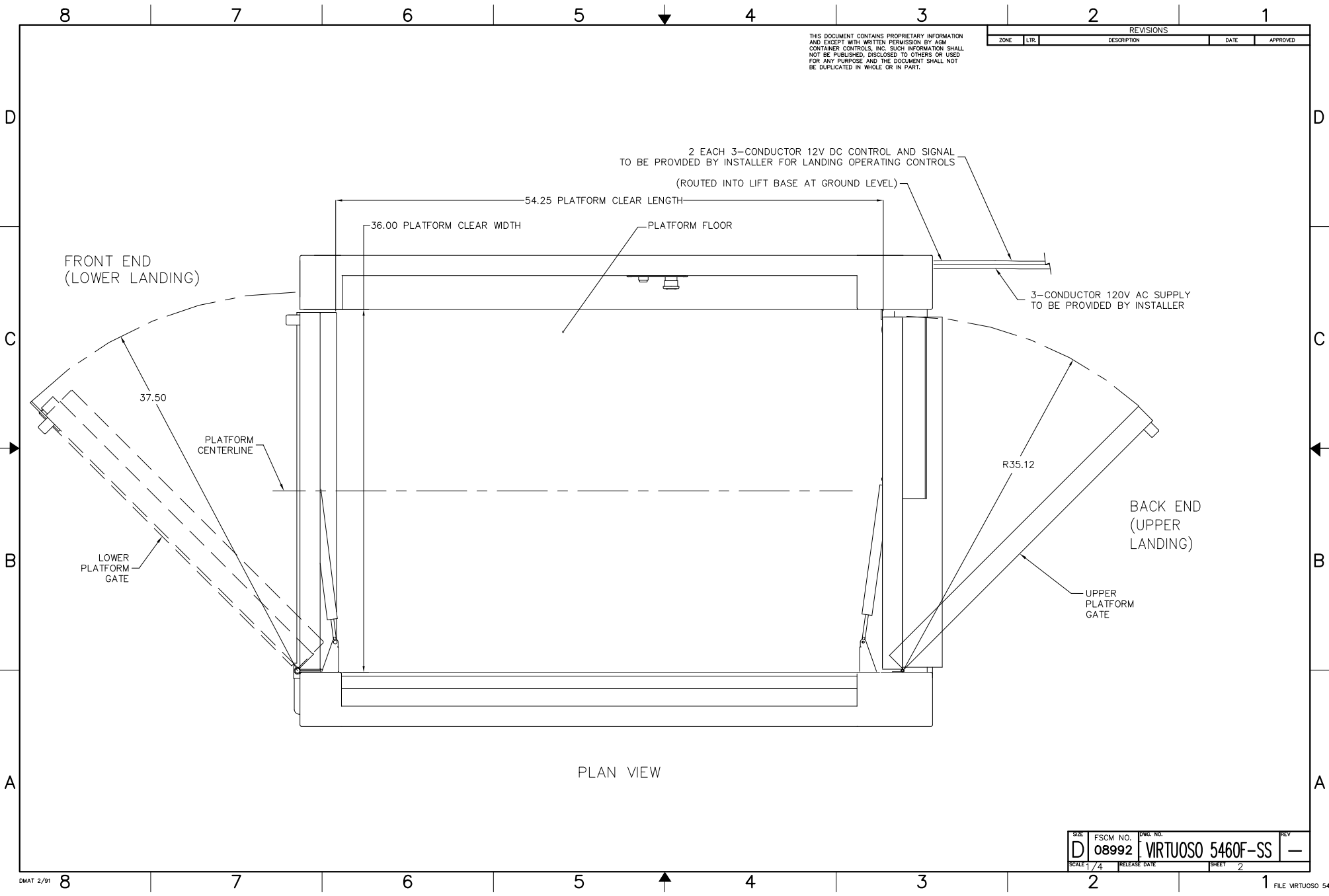
SEE SHEET 3

ASCENSION P/N: _____

INTERPRET DIMENSIONS AND TOLERANCES UNLESS OTHERWISE SPECIFIED		CONTRACT		gcm CONTAINER CONTROLS, INC. P.O. BOX 40020 - TUCSON, ARIZONA 85717-0020	
UNLESS OTHERWISE SPECIFIED DIMENSIONS ARE IN INCHES		DRAWN	DATE	TITLE	
TOLERANCES:		P. BROBECK	6-20-11	VERTICAL WHEELCHAIR LIFT ASSEMBLY	
DECIMALS .XX ±.25		E. ZUERCHER	6-30-11	SIZE	
XXX ±.030		APPROVED		FSCM NO. 08992	
ANGLES 2.5°		E. ZUERCHER		DWG. NO. VIRTUOSO 5460F-SS	
DO NOT SCALE DRAWING		MANUFACTURING		REV	
PINS:		SCALE 1/4"		RELEASE BAR	
SIMILAR TO		SHEET 1 OF 3		FILE VIRTUOSO 5460F	
PART NO.	QTY. REQD PER ASSY.	NEXT FINAL	NEXT ASSY.	USED ON	APPLICATION

THIS DOCUMENT CONTAINS PROPRIETARY INFORMATION AND EXCEPT WITH WRITTEN PERMISSION BY AGM CONTAINER CONTROLS, INC. SUCH INFORMATION SHALL NOT BE PUBLISHED, DISCLOSED TO OTHERS OR USED FOR ANY PURPOSE AND THE DOCUMENT SHALL NOT BE DUPLICATED IN WHOLE OR IN PART.

REVISIONS				
ZONE	LTR.	DESCRIPTION	DATE	APPROVED

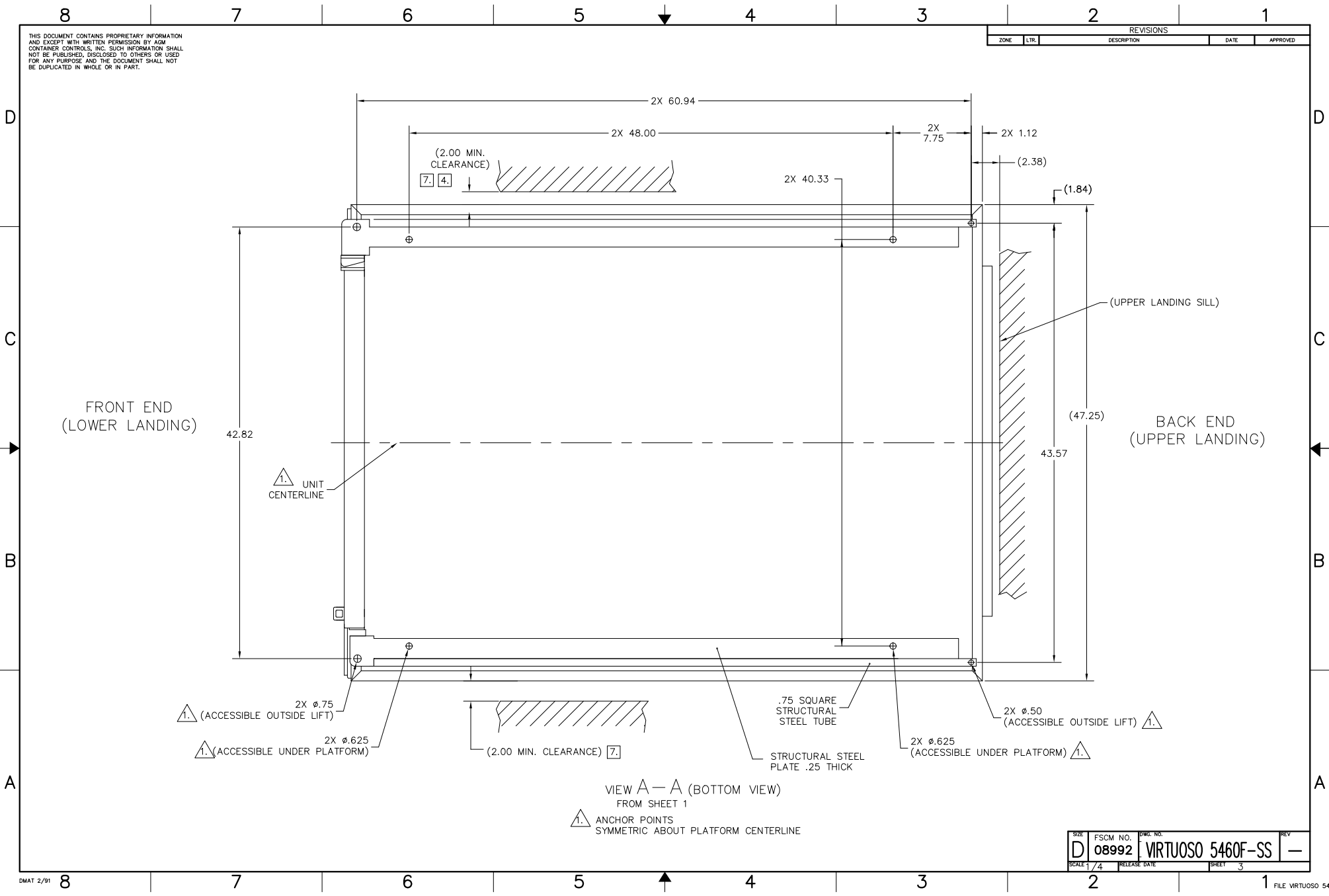


PLAN VIEW

SIZE D	FSCM NO. 08992	DWG. NO. VIRTUOSO 5460F-SS	REV —
SCALE 1/4	RELEASE DATE	SHEET 2	FILE VIRTUOSO 5460F

THIS DOCUMENT CONTAINS PROPRIETARY INFORMATION AND EXCEPT WITH WRITTEN PERMISSION BY AGM CONTAINER CONTROLS, INC. SUCH INFORMATION SHALL NOT BE PUBLISHED, DISCLOSED TO OTHERS OR USED FOR ANY PURPOSE AND THE DOCUMENT SHALL NOT BE DUPLICATED IN WHOLE OR IN PART.

REVISIONS				
ZONE	LTR.	DESCRIPTION	DATE	APPROVED



VIEW A-A (BOTTOM VIEW)
FROM SHEET 1

ANCHOR POINTS
SYMMETRIC ABOUT PLATFORM CENTERLINE

SIZE D	FSCM NO. 08992	DWG. NO. VIRTUOSO 5460F-SS	REV —
SCALE 1/4	RELEASE DATE	SHEET 3	FILE VIRTUOSO 5460F