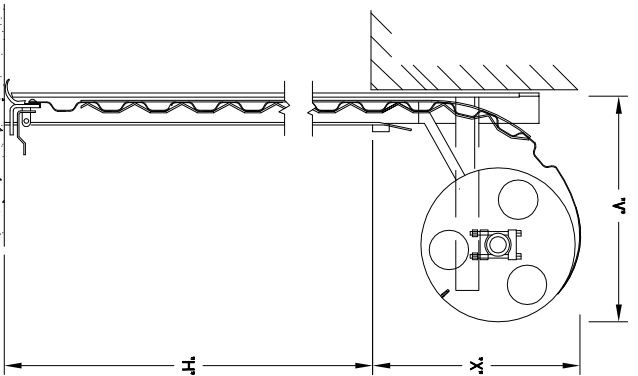
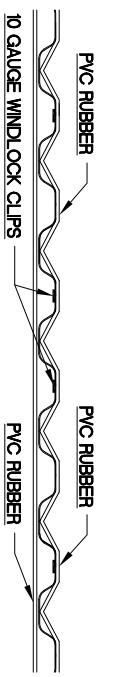
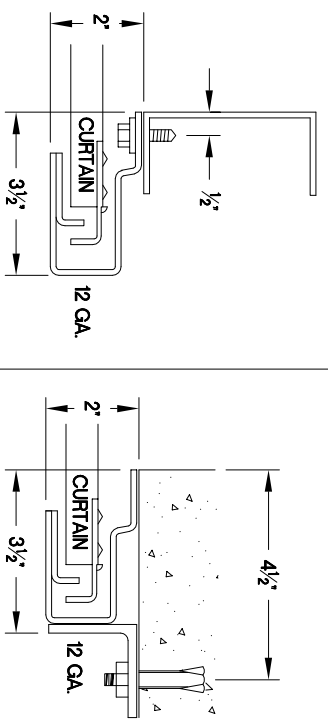


ELEVATION



SECTION-A-A

GUIDE DETAILS



GENERAL NOTES:

- CURTAIN: 26 GAUGE GALVANIZED STEEL, WITH BAKED ON EPOXY PRIMER AND POLYESTER TOP COAT
- GUIDES: ROLL FORMED 12 GAUGE GALVANIZED STEEL, WITH 12 GAUGE WINDLOCK INSERT
- OPERATION: RIGHT HAND SHOWN, LEFT HAND OPPOSITE
- OTHER SURFACES: GALVANIZED OR SHOP COAT PRIMER

SIDE ROOM REQUIREMENTS

<input type="checkbox"/>	CHOOSE TYPE OF OPERATION BELOW	A-1	A-2
<input type="checkbox"/>	HAND-ROPE PULL	7	7
<input type="checkbox"/>	REDUCTION GEAR CHAIN HOIST	10'	7
<input type="checkbox"/>	ELECTRIC MOTOR OPERATOR KIT	10'	7

MARK	QTY.	OPENING SIZE	OPERATION	RH	LH	CLEARANCES	OPTION	PROJECT:
		WIDTH 'W'				'X'		ARCHITECT:
		HEIGHT 'H'				'Y'		CONTRACTOR:
								DISTRIBUTOR:



4255 McEver Industrial Dr.  
 Acworth, GA 30701  
 PH:(770) 924-2800  
 FAX:(770) 974-1455  
 www.astadoor.com

MODEL 203 WINDLOCK COMMERCIAL SHEET DOOR

Asta Door Corporation is not responsible for the use of improper installation procedures, structural supports as well as field inspection prior to manufacturing and installation.

APPROVAL SIGNATURE: \_\_\_\_\_

DATE: \_\_\_\_\_

PROJECT: \_\_\_\_\_ ARCHITECT: \_\_\_\_\_ CONTRACTOR: \_\_\_\_\_ DISTRIBUTOR: \_\_\_\_\_

DATE: \_\_\_\_\_ SHEET: \_\_\_\_\_ OF: \_\_\_\_\_ BY: \_\_\_\_\_ REF.# \_\_\_\_\_