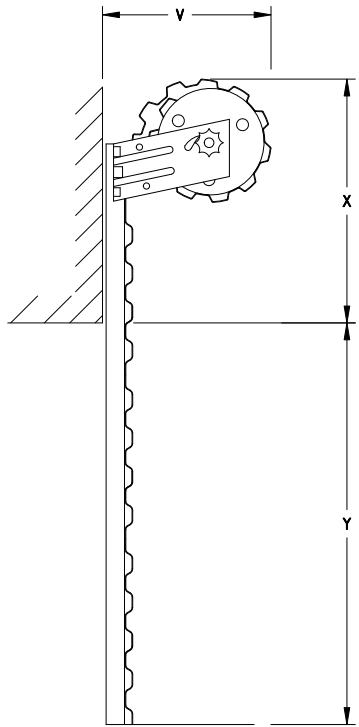
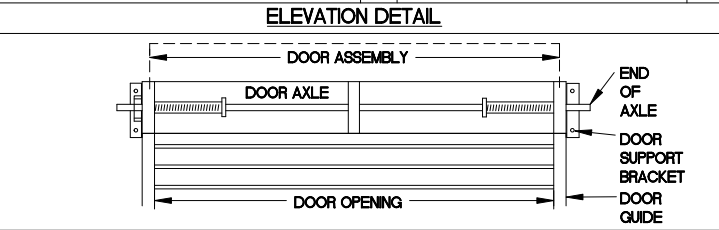
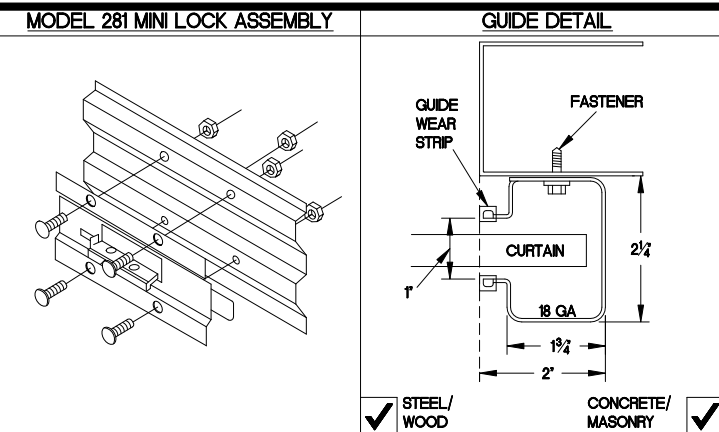


ELEVATION



SECTION-A-A

OPERATION	A1	A2
MANUAL PUSH-UP	3 1/4"	3 1/4"



CLEARANCE REQUIREMENTS

OPENING HEIGHT	HEADROOM		SIDEROOM (PER SIDE)	
	(X)	(V)	BACK OF GUIDE	
UP TO 8'	16"	17"	OUTSIDE OF BRACKET	3 1/4"
UP TO 10'	17"	18"	END OF AXLE	5"

- GENERAL NOTES:**
- CURTAIN:**
- 26 GAUGE GALVANIZED STEEL WITH BAKED ON EPOXY PRIMER AND POLYESTER TOP COAT
- GUIDES:**
- ROLL FORMED 18 GAUGE GALVANIZED STEEL.
- OPERATION:**
- RIGHT HAND SHOWN, LEFT HAND OPPOSITE
- OTHER SURFACES:**
- GALVANIZED

MRK.	QTY.	OPENING SIZE		OPERATION	R.H.	OPTION	PROJECT:	DISTRIBUTOR:	DATE:	SHEET:	OF:	BY:	REF.#	4255 McEver Industrial Dr. Acworth, GA 30101 PH:(770) 924-2600 Fax:(770) 974-1455 www.astadoor.com
		WIDTH 'W'	HEIGHT 'H'											

MODEL 281-MINI/SELF STORAGE DOOR (D-PANEL)

Asta Door Corporation is not responsible for the use of improper installation procedures, structural supports as well as field inspection prior to manufacturing and installation.

APPROVAL SIGNATURE: _____ DATE: _____