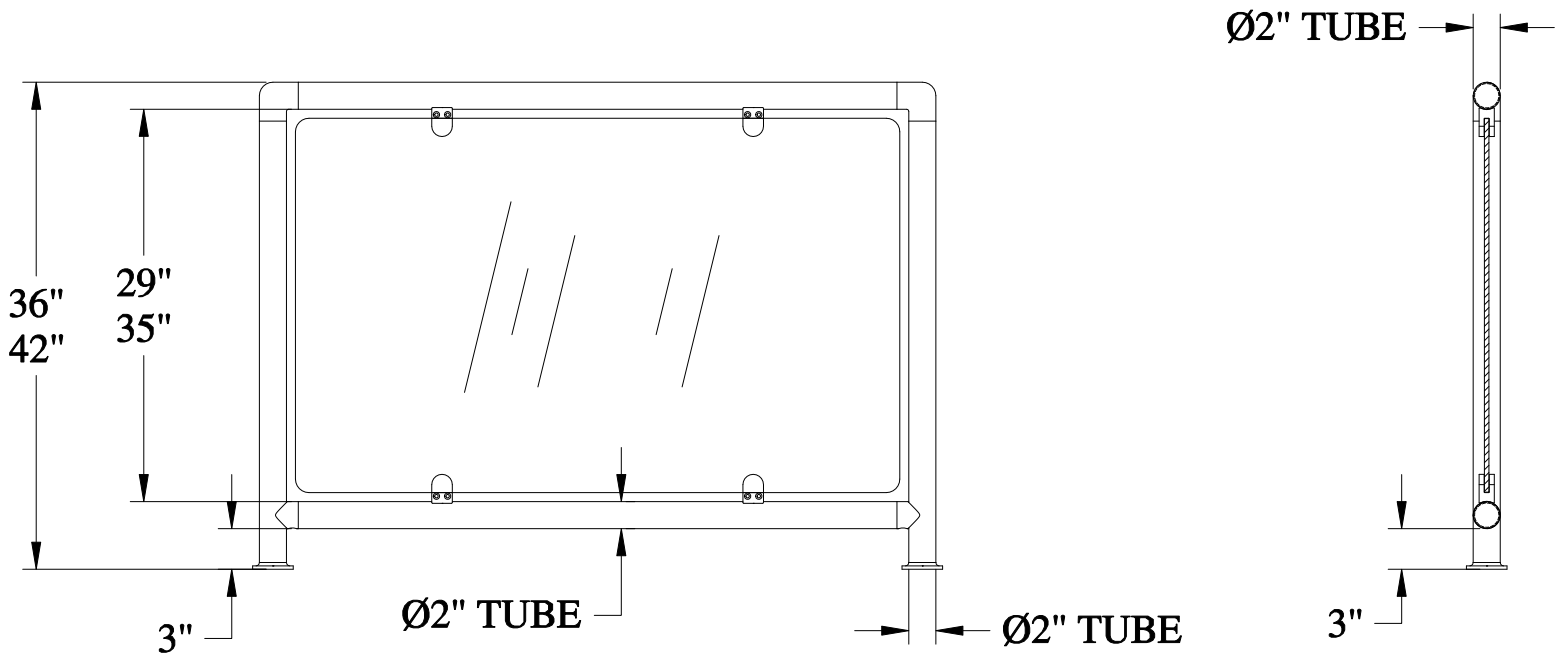


SUNRAIL GLASS SYSTEM DESIGN PARAMETERS



SPECIFICATIONS:

RECOMMENDED SPAN: 48" BETWEEN POSTS

HANDRAIL: 2" DIAMETER 16 GAGE 316 GRADE S/S TUBING

INFILL: PROVIDED BY CUSTOMER, 5/16" TO 1/2" THICK TEMPERED GLASS OR EQUIVALENT

POSTS: 2" DIAMETER 16 GAGE 316 GRADE S/S TUBING

TOP AND BOTTOM RAILS SECURED TO POSTS WITH 316 GRADE CAST S/S FITTINGS