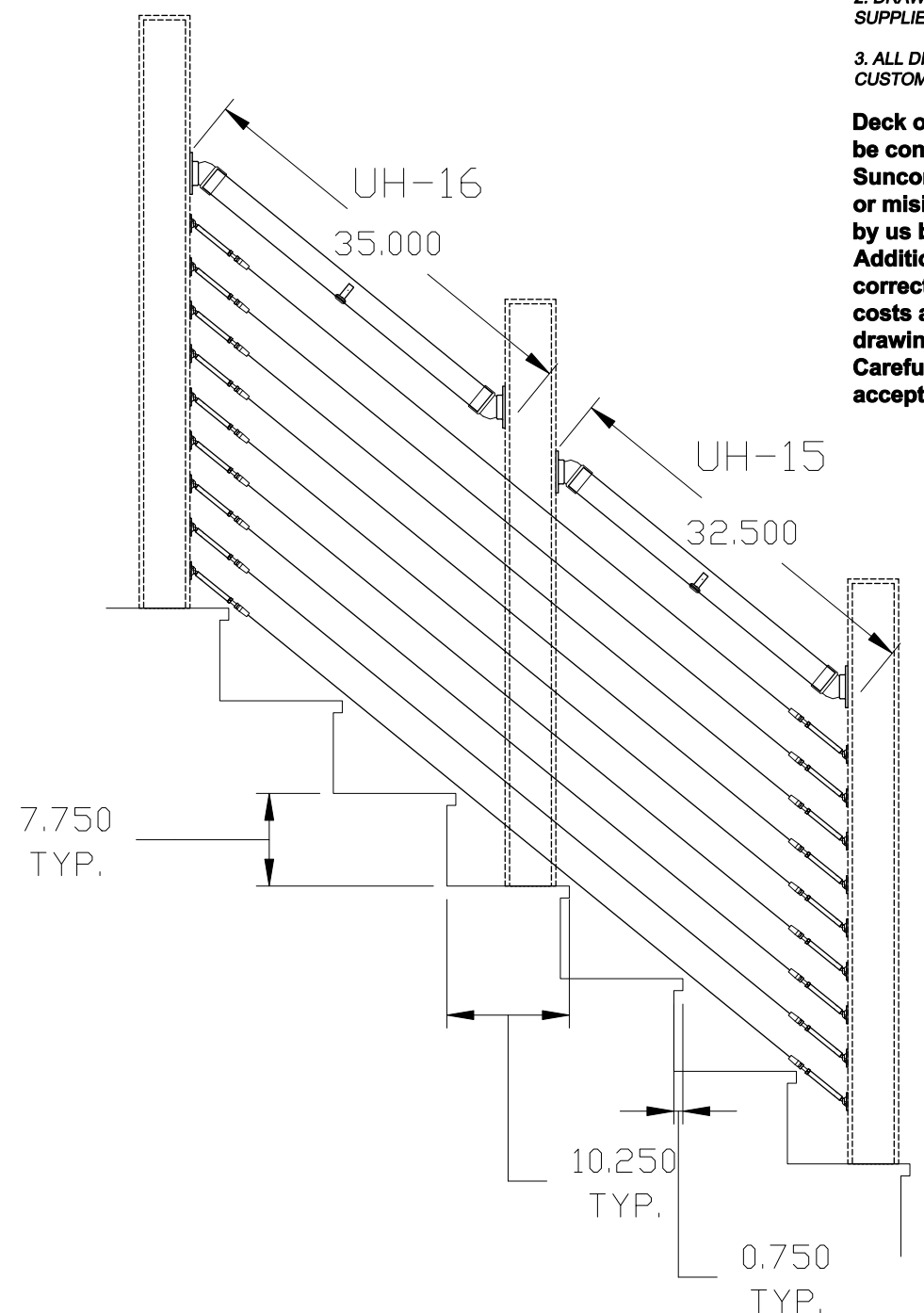
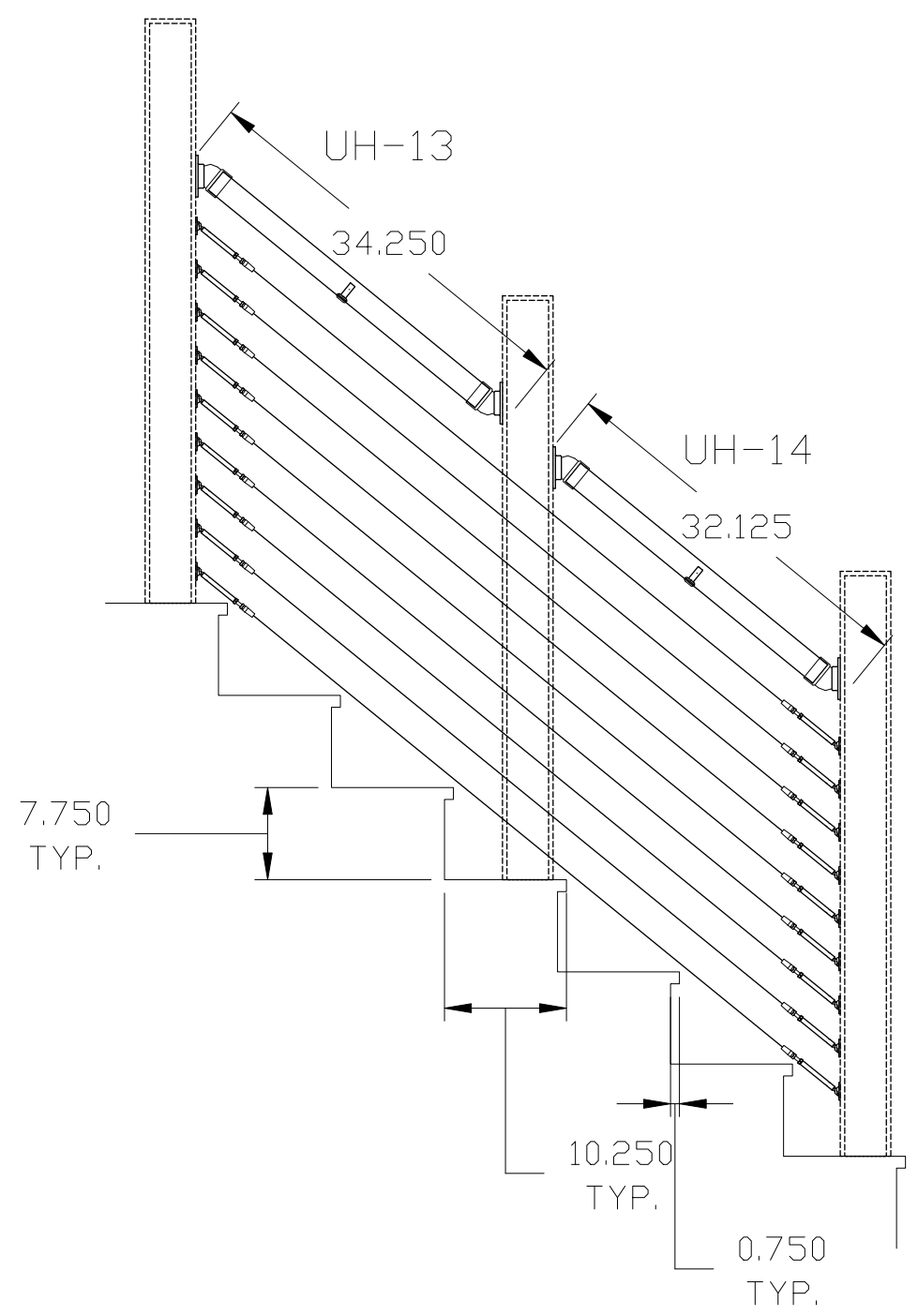


THE INFORMATION CONTAINED IN THIS DRAWING IS THE SOLE PROPERTY OF SUNCOR STAINLESS. ANY REPRODUCTION IN PART OR WHOLE WITHOUT THE WRITTEN PERMISSION OF SUNCOR STAINLESS IS PROHIBITED.

REVISIONS			
REV	DESCRIPTION	DATE	DRAWN BY
A	SAMPLE DRAWING	X/XX/XX	XX

- NOTES:**
- HAND RAIL SYSTEM CONSISTING OF RAILEASY STYLE WITH HORIZONTAL WIRE ROPE.
 - DRAWING AND DIMENSIONS BASED UPON CUSTOMER SUPPLIED DRAWINGS
 - ALL DIMENSIONS AND RAILING DETAILS ARE PENDING CUSTOMER APPROVAL

Deck or mounting area and stair dimensions MUST be confirmed by the customer and or contractor. Suncor/Atlantis rail will NOT be responsible for errors or misinterpretations of the railing system designed by us based upon customer confirmed dimensions. Additional drawing time to change the design or correct for errors after signing will result in additional costs as well as any changes to parts made per the drawing. Carefully review the drawing before signing and accepting.



CUSTOMER SIGNATURE: _____ DATE: _____

UNLESS OTHERWISE SPECIFIED DIMENSIONS ARE IN INCHES TOLERANCES ARE:		CAD GENERATED DRAWING DO NOT MANUALLY UPDATE			
FRACTIONS	DECIMALS	ANGLES			
1/16"	±.005	±1/2°		APPROVALS	DATE
	XX ±.001			DRAWN	XX X/X/XX
	.XXX ±.0005			CHECKED	
MATERIAL	316SS			RESP ENG	
FINISH	ELECTROPOLISHED			WFG ENG	
				QUAL ENG	
SIZE	B&D	ORDER NO.	XXXXXX	REV	A
SCALE	FULL	CAD FILE:	XXXXXXXXXXXX	SHEET	