

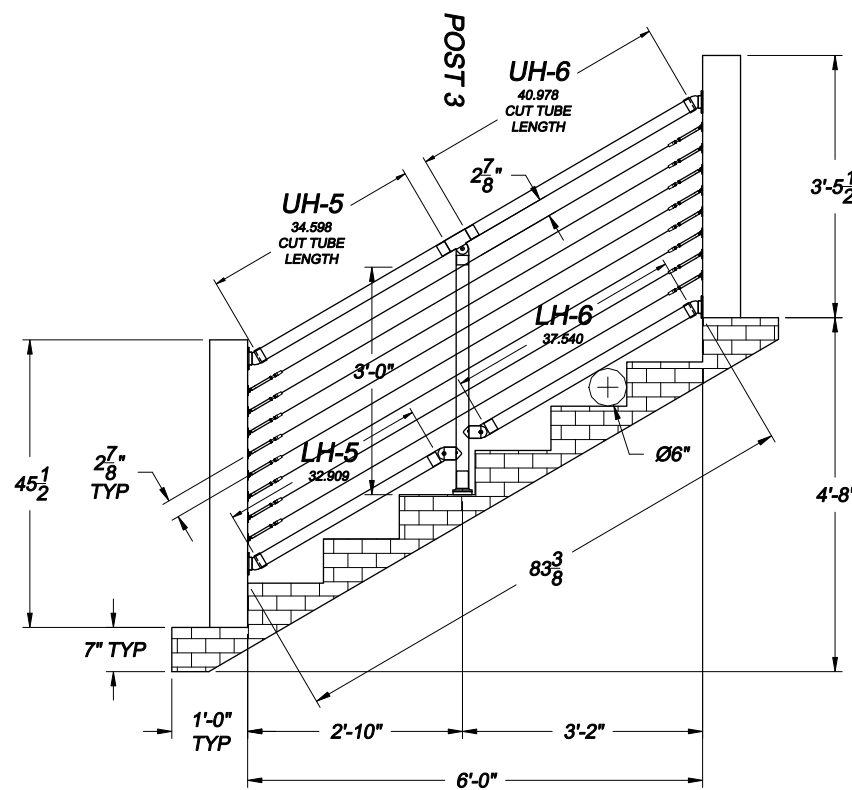
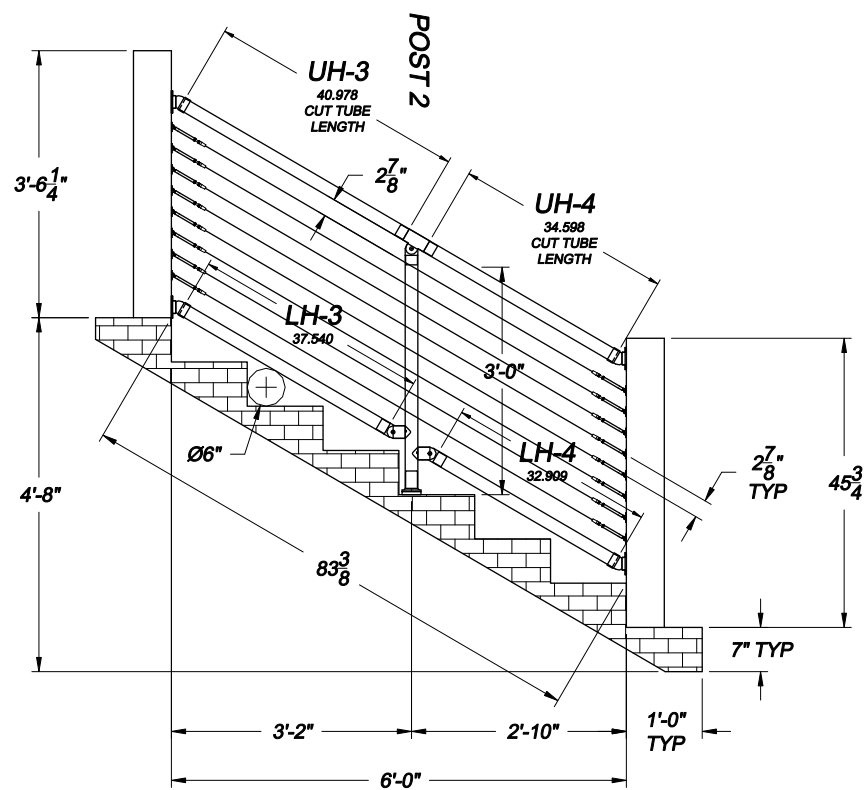
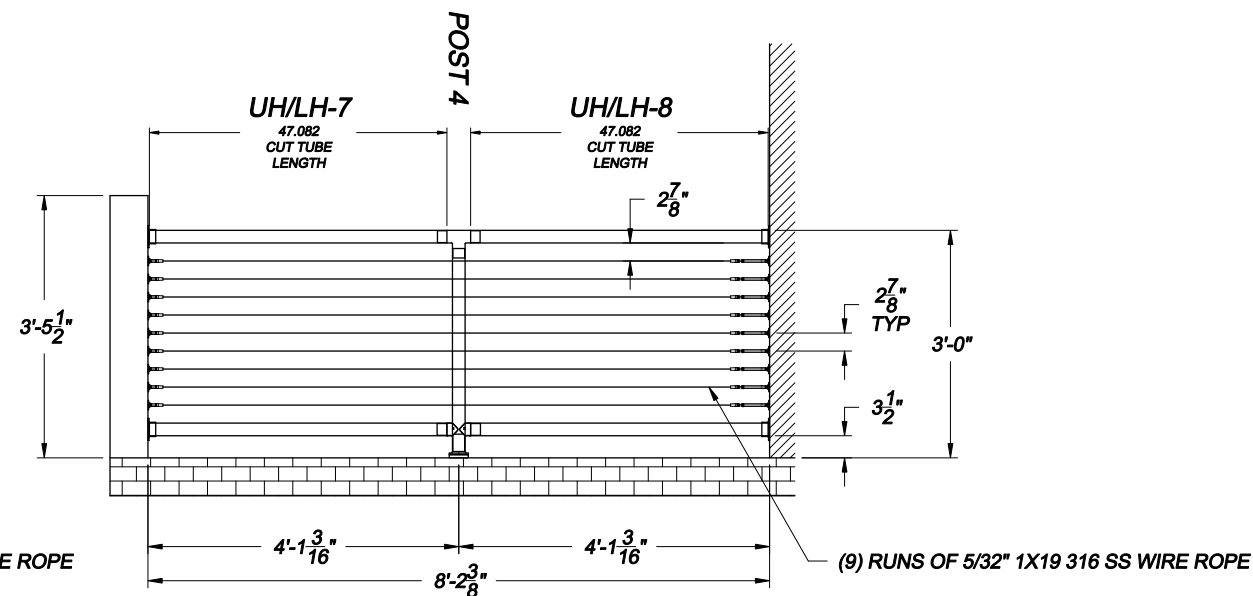
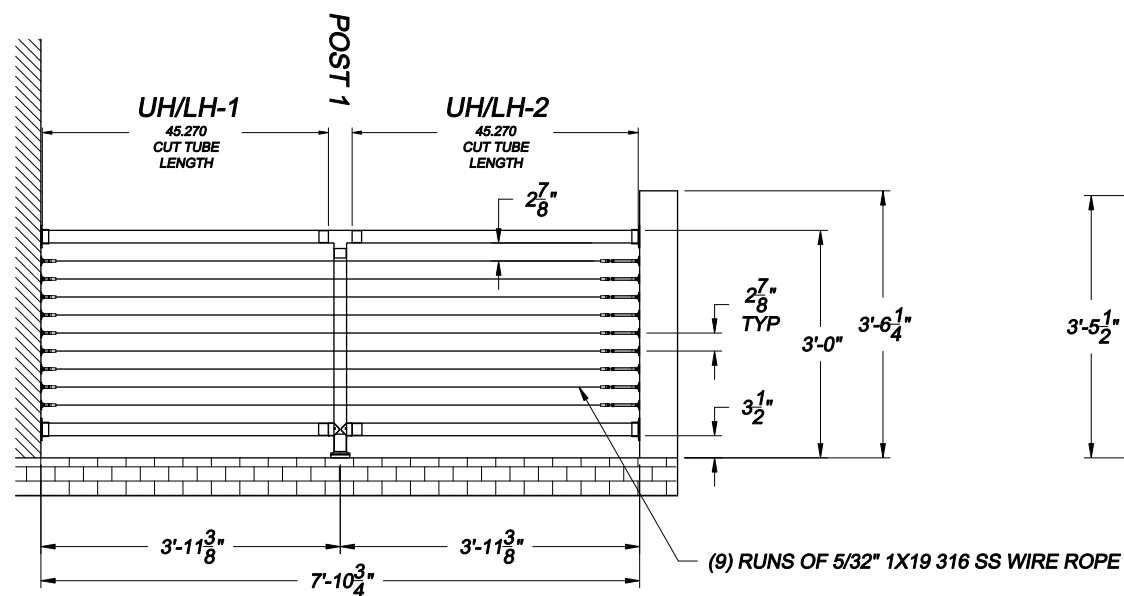
THE INFORMATION CONTAINED IN THIS DRAWING IS THE SOLE PROPERTY OF SUNCOR STAINLESS. ANY REPRODUCTION IN PART OR WHOLE WITHOUT THE WRITTEN PERMISSION OF SUNCOR STAINLESS IS PROHIBITED.

Deck or mounting area and stair dimensions MUST be confirmed by the customer and or contractor. Suncor/Atlantis rail will NOT be responsible for errors or misinterpretations of the railing system designed by us based upon customer confirmed dimensions. Additional drawing time to change the design or correct for errors after signing will result in additional costs as well as any changes to parts made per the drawing. Carefully review the drawing before signing and accepting.

NOTES:

1. HAND RAIL SYSTEM CONSISTING OF SUNRAIL STYLE WITH HORIZONTAL WIRE ROPE.
2. DRAWING AND DIMENSIONS BASED UPON CUSTOMER SUPPLIED DRAWINGS
3. ALL DIMENSIONS AND RAILING DETAILS ARE PENDING CUSTOMER APPROVAL
4. 36" HAND RAIL SYSTEM CONSISTING OF 2" DIA POLISHED 16 GAUGE 316 SS TUBING, CAST 316 SS FITTINGS, EPOXY CONNECTIONS AT JOINTS
5. ALL RAILING POSTS MOUNTED ON 0.50" CONCRETE MOUNTS

REVISIONS			
REV	DESCRIPTION	DATE	APPROVED
A	SAMPLE DRAWING	X/XX/XX	XX



CUSTOMER SIGNATURE: _____ **DATE:** _____

UNLESS OTHERWISE SPECIFIED DIMENSIONS ARE IN INCHES TOLERANCES ARE:		CAD GENERATED DRAWING DO NOT MANUALLY UPDATE	
FRACTIONS	DECIMALS	ANGLES	
± 1/64"	.XX ± 0.05	± 1/2°	
	.XXX ± 0.005		
APPROVALS		DATE	
DRAWN	XX	X/XX/XX	
CHECKED	JMM	04/01/14	
RESP. ENG.			
MATERIAL		316SS	
FINISH		POLISHED	
SCALE		NTS	
SIZE	D	FSCM NO.	ORDER NO. XXXXX
SHEET		REV A	



ATLANTIS RAILWAYS NAUTILUS II
SAMPLE DRAWING