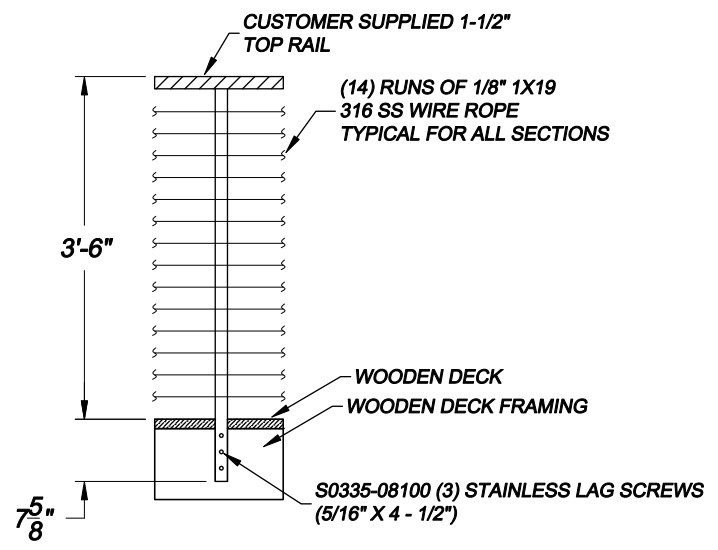
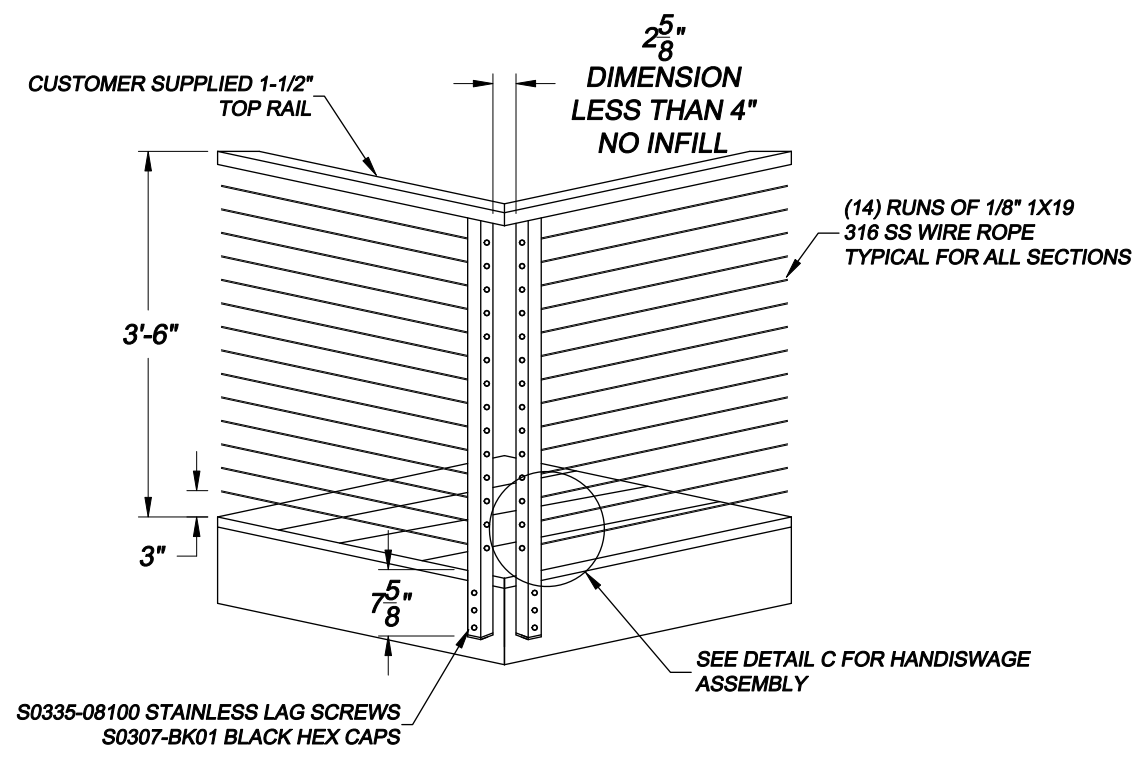


THE INFORMATION CONTAINED IN THIS DRAWING IS THE SOLE PROPERTY OF SUNCOR STAINLESS. ANY REPRODUCTION IN PART OR WHOLE WITHOUT THE WRITTEN PERMISSION OF SUNCOR STAINLESS IS PROHIBITED.

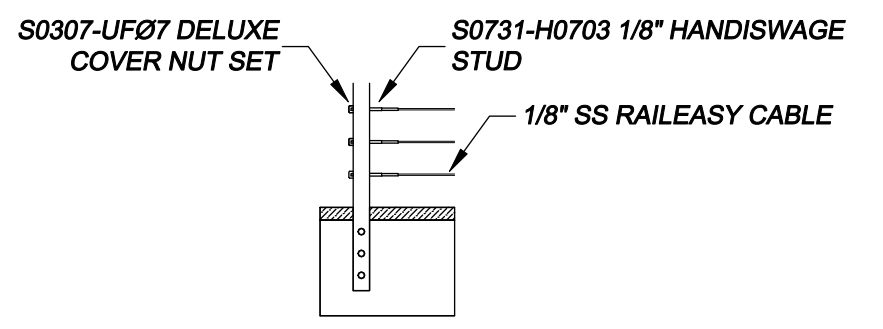
REVISIONS			
REV	DESCRIPTION	DATE	APPROVED
A	SAMPLE DRAWING	X/XX/XX	XX



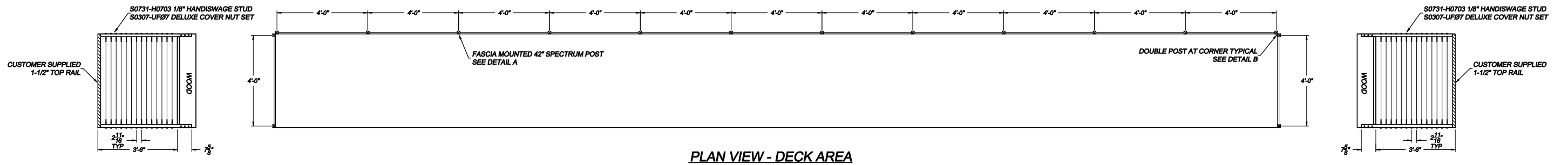
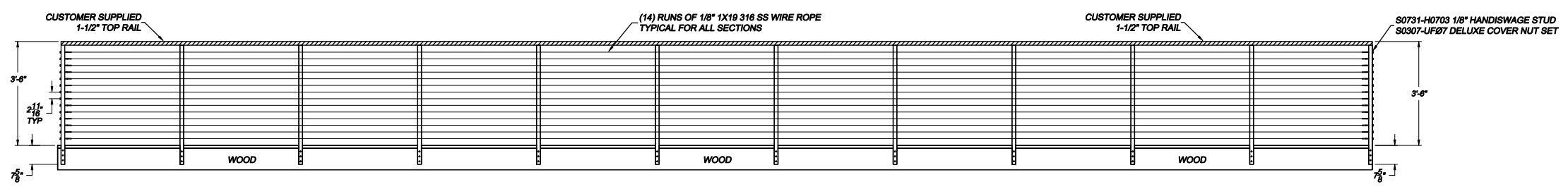
DETAIL A - FASCIA MOUNTED 42" SPECTRUM POST
NTS



DETAIL B - DOUBLE POST AT CORNER
NTS



DETAIL C - HANDISWAGE ASSEMBLY
NTS



PLAN VIEW - DECK AREA
NTS

Deck or mounting area and stair dimensions MUST be confirmed by the customer and or contractor. Suncor/Atlantis rail will NOT be responsible for errors or misinterpretations of the railing system designed by us based upon customer confirmed dimensions. Additional drawing time to change the design or correct for errors after signing will result in additional costs as well as any changes to parts made per the drawing. Carefully review the drawing before signing and accepting.

**PLEASE NOTE:
SPECTRUM SYSTEM POSTS ARE SPACED AT 48" MAX.
DO NOT SPACE POSTS FARTHER THAN THE 48" MAX.**

CUSTOMER SIGNATURE: _____ DATE: _____

UNLESS OTHERWISE SPECIFIED DIMENSIONS ARE IN INCHES TOLERANCES ARE:		CAD GENERATED DRAWING DO NOT MANUALLY UPDATE	
FRACTIONS	DECIMALS	ANGLES	
± 1/64"	.XX ± 0.05	± 1/2°	
	.XXX ± 0.005		
	.XXX ± 0.005		
MATERIAL		APPROVALS	DATE
316SS		DRAWN	XX X/XX/XX
FINISH		CHECKED	
XXX		RESP ENG	
		MFG ENG	
		QUAL ENG	
SIZE	FSCM NO.	ORDER NO.	REV
D		XXXXX	A
SCALE	NTS	CAD FILE	SHEET
		XXXXXXXXXXXX	



42" SPECTRUM
SAMPLE DRAWING