

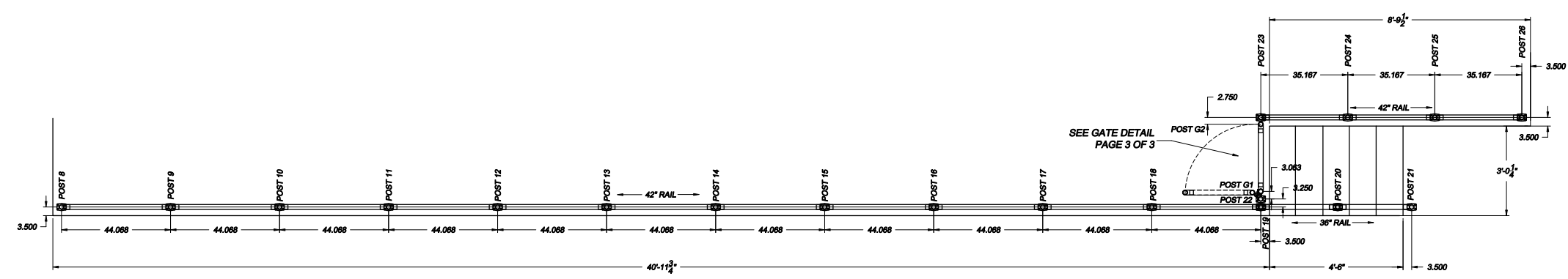
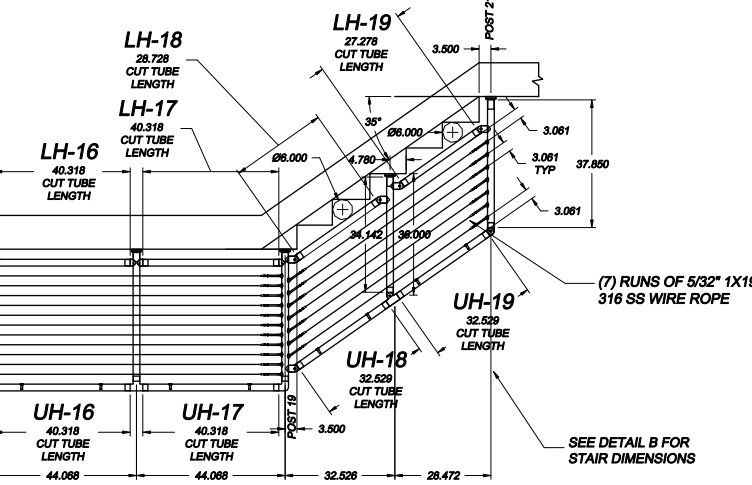
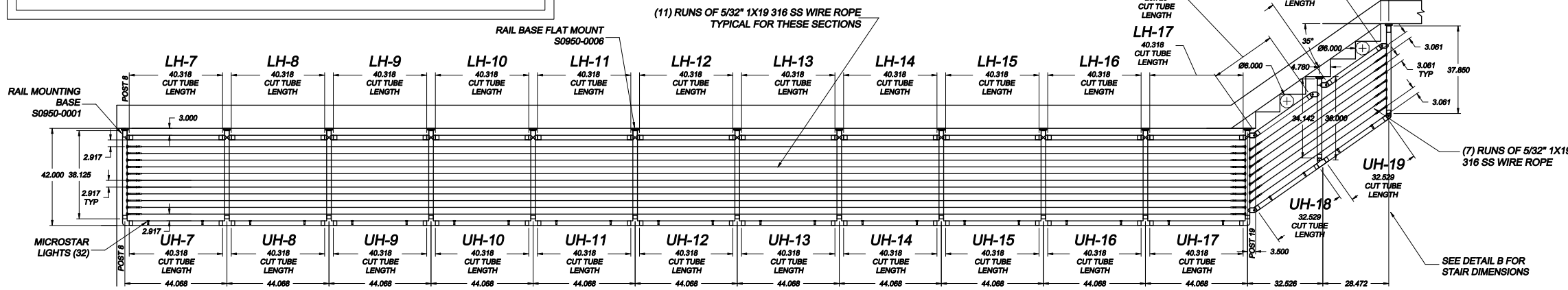
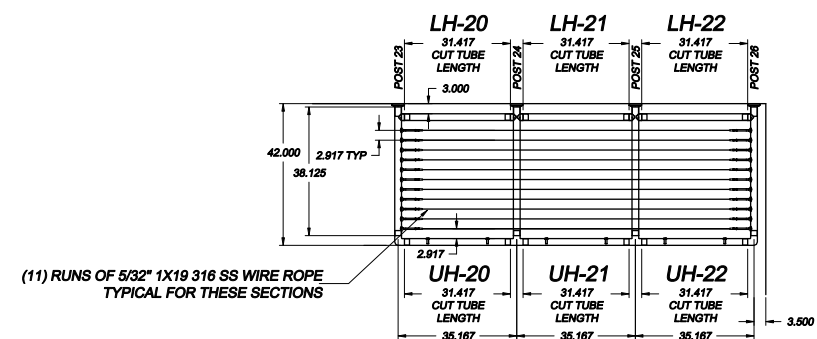
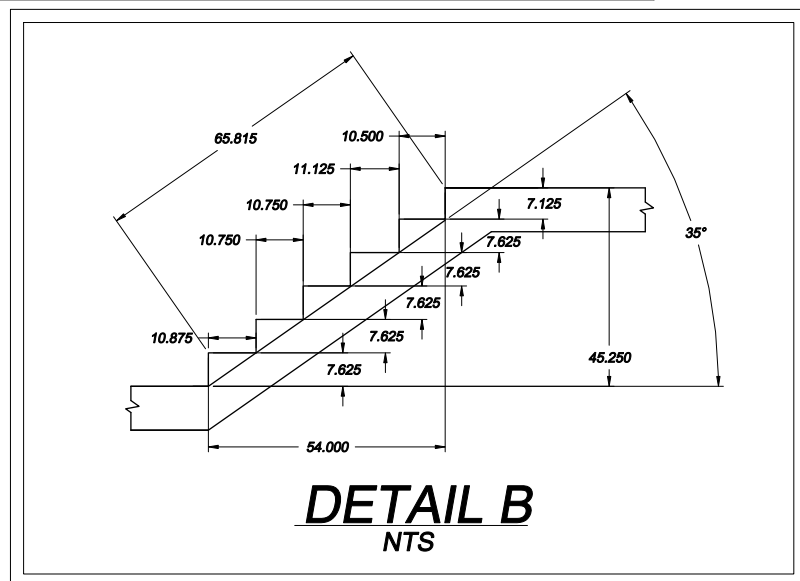
THE INFORMATION CONTAINED IN THIS DRAWING IS THE SOLE PROPERTY OF SUNCOR STAINLESS. ANY REPRODUCTION IN PART OR WHOLE WITHOUT THE WRITTEN PERMISSION OF SUNCOR STAINLESS IS PROHIBITED.

REVISIONS			
REV	DESCRIPTION	DATE	APPROVED
A	SAMPLE DRAWING	X/XX/XX	XX

NOTES:

1. HAND RAIL SYSTEM CONSISTING OF SUNRAIL NAUTILUS II STYLE WITH HORIZONTAL WIRE ROPE & MICROSTAR LIGHTING.
2. DRAWING AND DIMENSIONS BASED UPON CUSTOMER SUPPLIED DRAWINGS.
3. ALL DIMENSIONS AND RAILING DETAILS ARE PENDING CUSTOMER APPROVAL.
4. 42" HAND RAIL AND 36" HAND RAIL SYSTEMS CONSISTING OF 2" DIA POLISHED 16 GAUGE 316 SS TUBING, CAST 316 SS FITTINGS, EPOXY CONNECTIONS AT JOINTS.

Deck or mounting area and stair dimensions **MUST** be confirmed by the customer and or contractor. Suncor/Atlantis rail will **NOT** be responsible for errors or misinterpretations of the railing system designed by us based upon customer confirmed dimensions. Additional drawing time to change the design or correct for errors after signing will result in additional costs as well as any changes to parts made per the drawing. Carefully review the drawing before signing and accepting.



LARGE DECK STAIR
NTS

PLEASE NOTE: POSTS SHOWN AS MOUNTED ON CONCRETE.

CUSTOMER SIGNATURE: _____ DATE: _____

UNLESS OTHERWISE SPECIFIED DIMENSIONS ARE IN INCHES TOLERANCES ARE:		CAD GENERATED DRAWING DO NOT MANUALLY UPDATE	
FRACTIONS	DECIMALS	ANGLES	
± 1/64"	± 0.005	± 1/2°	
	± 0.002		
	± 0.005		
MATERIAL	316SS	CHECKED	XX XX/XX/XX
FINISH	POLISHED	RESP ENG	
		MFG ENG	
		QUAL ENG	



ATLANTIS NAUTILUS II CUSTOM SAMPLE DRAWING

SIZE	D	FSCM NO.		ORDER NO.	XXXXXX	REV	A
SCALE	NTS	CAD FILE	XXXXXXXXXXXX	SHEET	1 OF 1		