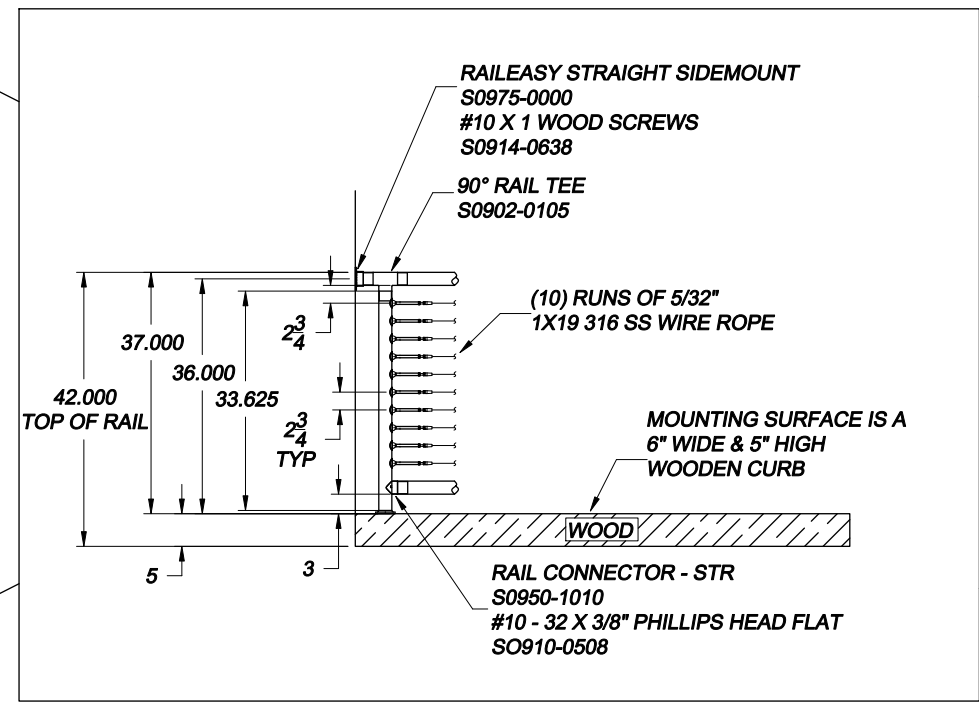
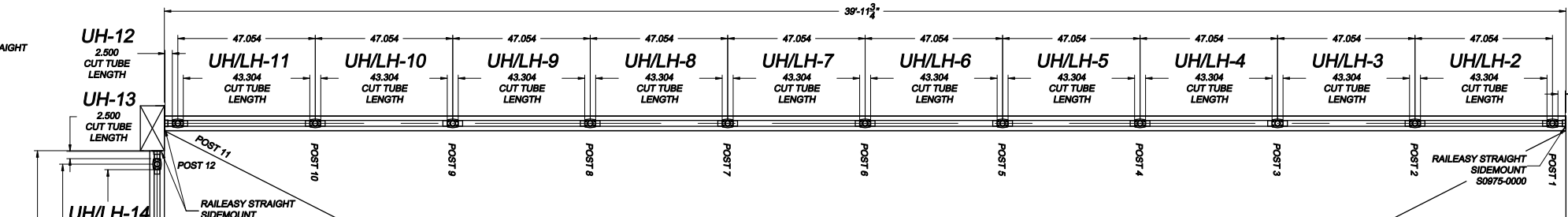
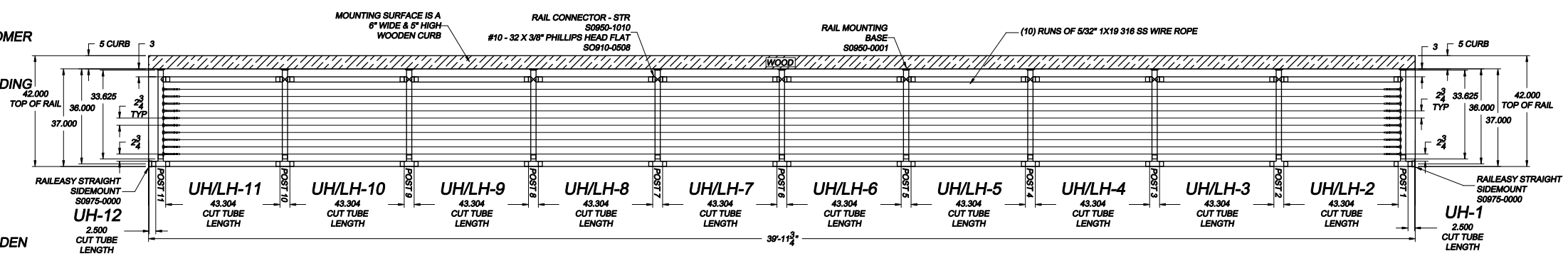


THE INFORMATION CONTAINED IN THIS DRAWING IS THE SOLE PROPERTY OF SUNCOR STAINLESS. ANY REPRODUCTION IN PART OR WHOLE WITHOUT THE WRITTEN PERMISSION OF SUNCOR STAINLESS IS PROHIBITED.

REVISIONS			
REV	DESCRIPTION	DATE	APPROVED
A	SAMPLE DRAWING	X/XX/XX	XX

- NOTES:**
- HAND RAIL SYSTEM CONSISTING OF SUNRAIL NAUTILUS STYLE II WITH HORIZONTAL WIRE ROPE.
 - DRAWING AND DIMENSIONS BASED UPON CUSTOMER SUPPLIED DRAWINGS.
 - ALL DIMENSIONS AND RAILING DETAILS ARE PENDING CUSTOMER APPROVAL.
 - 37" HAND RAIL SYSTEM CONSISTING OF 2" DIA POLISHED 16 GAUGE 316 SS TUBING, CAST 316 SS FITTINGS, EPOXY CONNECTIONS AT JOINTS.
 - CUSTOMER TO CONFIRM DIMENSIONS FOR ACCURACY.
 - POSTS SHOWN AS MOUNTED ON A 5" HIGH WOODEN CURB.



Deck or mounting area and stair dimensions MUST be confirmed by the customer and or contractor. It shall be the customer's responsibility to review the drawing(s) for accuracy.

Suncor/Atlantis Rail Systems will NOT be responsible for errors or misinterpretations of the railing system designed by us based upon customer confirmed dimensions.

Additional drawing time to change the design or correct for errors after signing will result in additional costs as well as any changes to parts made per the drawing.

Carefully review the drawing before signing and accepting. By signing and accepting the customer acknowledges the drawing and it's representation of the railing system, including but NOT limited to layout, dimensions, heights, NOTES and mounting, is accurate.

RAILING DETAIL NTS

FIRST FLOOR NTS

PLEASE NOTE: POSTS SHOWN AS MOUNTED ON WOOD.

CUSTOMER SIGNATURE: _____ DATE: _____

UNLESS OTHERWISE SPECIFIED DIMENSIONS ARE IN INCHES (DIMENSIONS ARE:)		CAD GENERATED DRAWING DO NOT MANUALLY UPDATE	
FRACTIONS	DECIMALS	APPROVALS	DATE
1/16"	.005	DRAWN	XX/XX/XX
	.002	CHECKED	
	.001	RESP ENG	
		MFG ENG	
		QUAL ENG	



ATLANTIS NAUTILUS II CUSTOM HEIGHT SAMPLE DRAWING

SIZE	FSCM NO.	ORDER NO.	REV
D		XXXXX	A
SCALE	NTS	CAD FILE	XXXXXXXXXX
			SHEET 1 OF 1