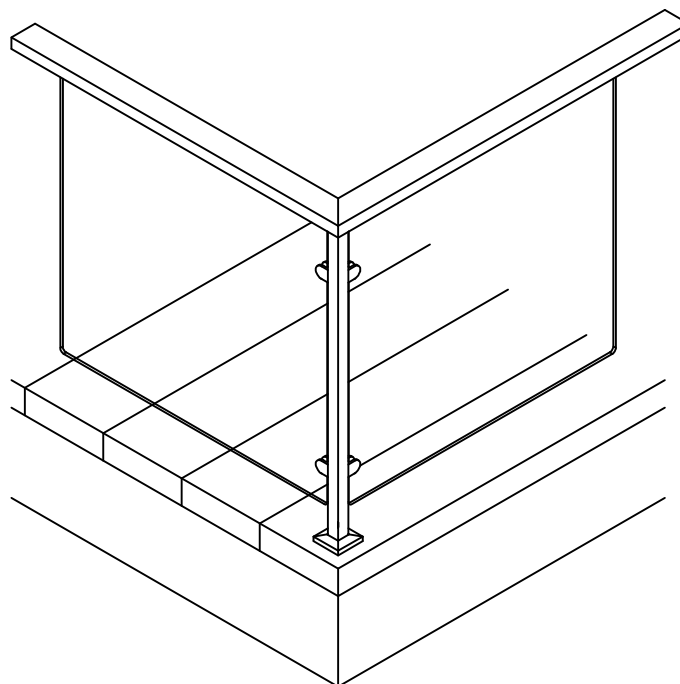
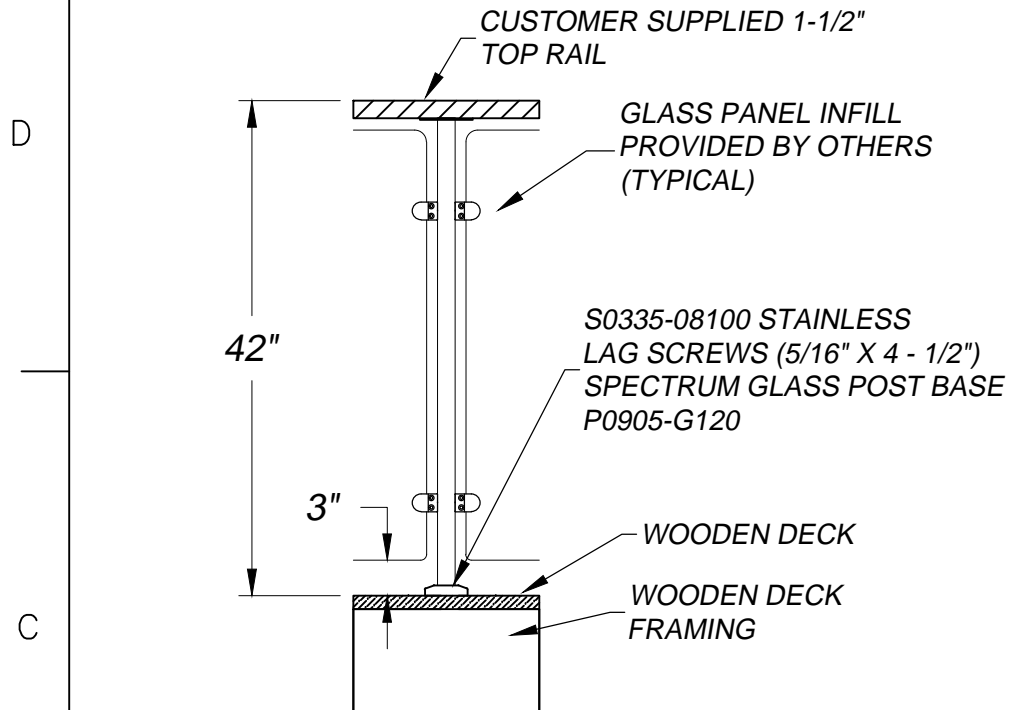


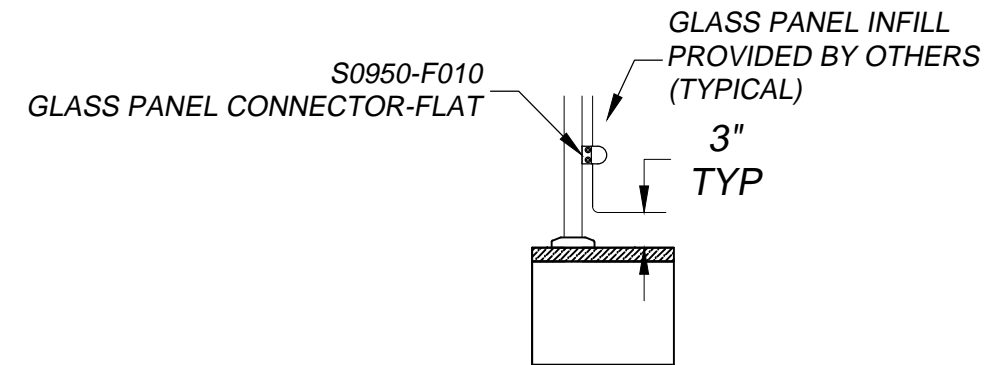
THE INFORMATION CONTAINED IN THIS DRAWING IS THE SOLE PROPERTY OF SUNCOR STAINLESS. ANY REPRODUCTION IN PART OR WHOLE WITHOUT THE WRITTEN PERMISSION OF SUNCOR STAINLESS IS PROHIBITED.

REVISIONS			
REV	DESCRIPTION	DATE	APPROVED
A	SAMPLE DRAWING	6/19/19	NMJ



DETAIL B - SINGLE POST AT CORNERS
NTS

PLEASE NOTE:
ATLANTIS RAIL DOES NOT PROVIDE GLASS PANELS.
ALL GLASS PANELS ARE PROVIDED BY OTHERS.

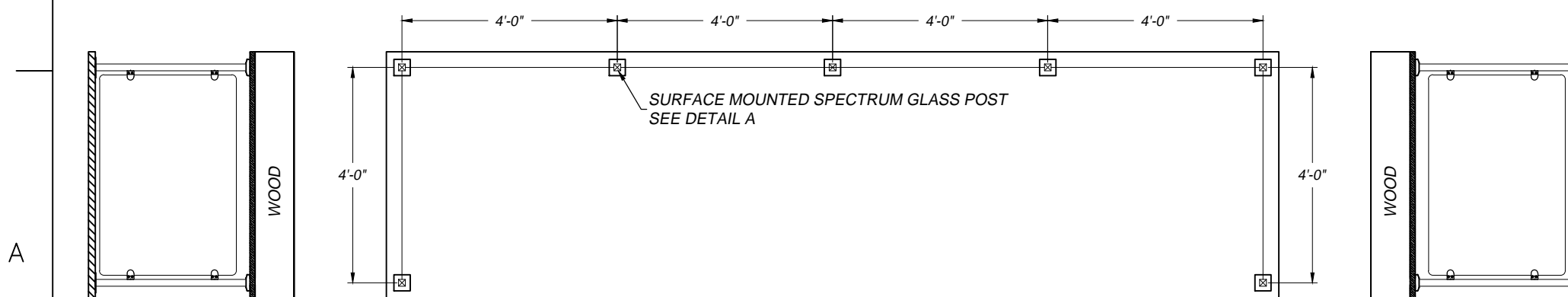
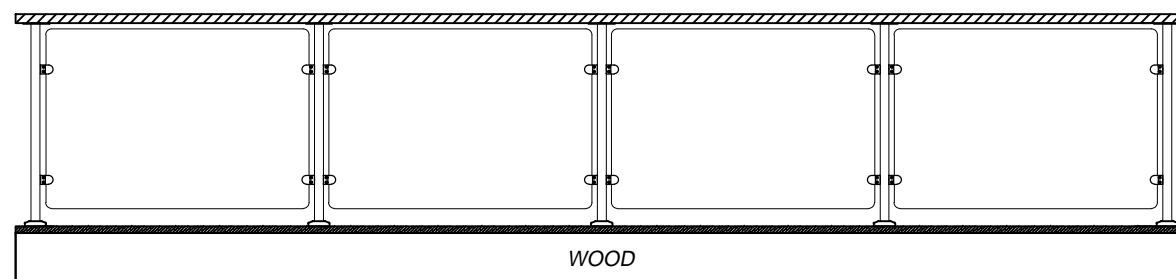


DETAIL C - GLASS ASSEMBLY
NTS

Deck or mounting area and stair dimensions **MUST** be confirmed by the customer and or contractor. Suncor/Atlantis rail will **NOT** be responsible for errors or misinterpretations of the railing system designed by us based upon customer confirmed dimensions. Additional drawing time to change the design or correct for errors after signing will result in additional costs as well as any changes to parts made per the drawing. Carefully review the drawing before signing and accepting.

PLEASE NOTE:
SPECTRUM SYSTEM POSTS ARE SPACED AT 48" MAX.
DO NOT SPACE POSTS FARTHER THAN THE 48" MAX.

AVAILABLE POSTS:
S0905-XX42-GE
S0905-XX42-GM
S0905-XX42-GC
NOTES:
XX DENOTES COLOR OF SPECTRUM POSTS.
GE - END POST
GM - MID POST
GC - CORNER POST



PLAN VIEW - DECK AREA
NTS

CUSTOMER SIGNATURE: _____		DATE: _____	
ATLANTIS RAIL SYSTEMS			
42" SURFACE MOUNTED SPECTRUM SAMPLE DRAWING			
SIZE D	FSQM NO.	ORDER NO. XXXXXX-XX	REV A
SCALE NTS	CAB FILE: xxxxxxxxxxxx		SHEET