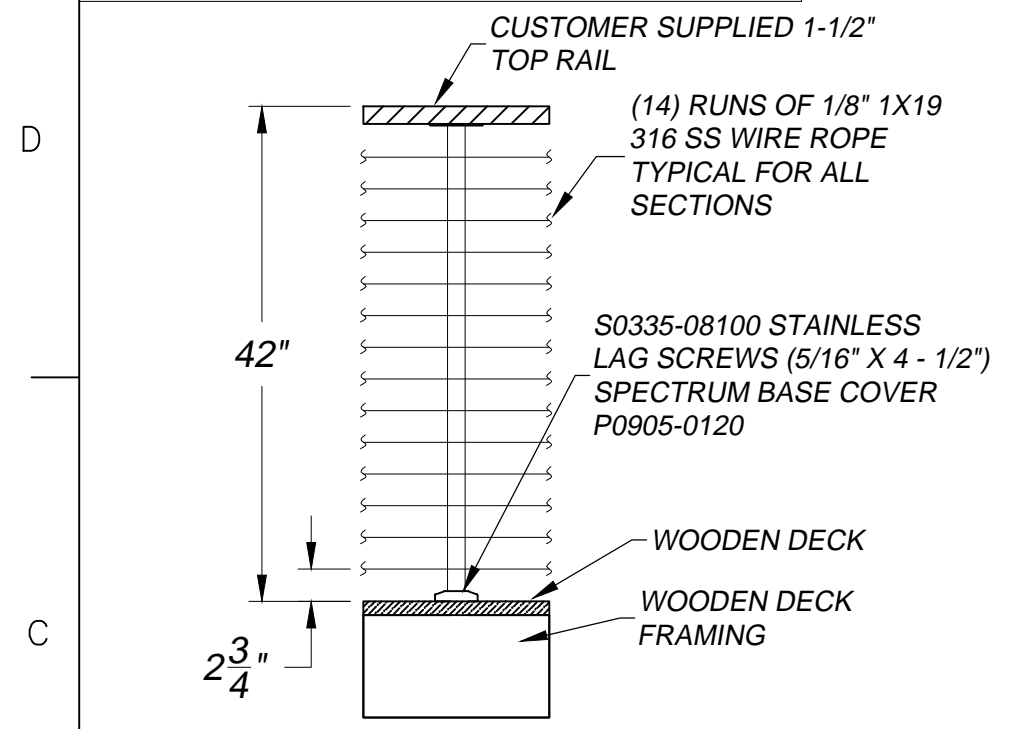
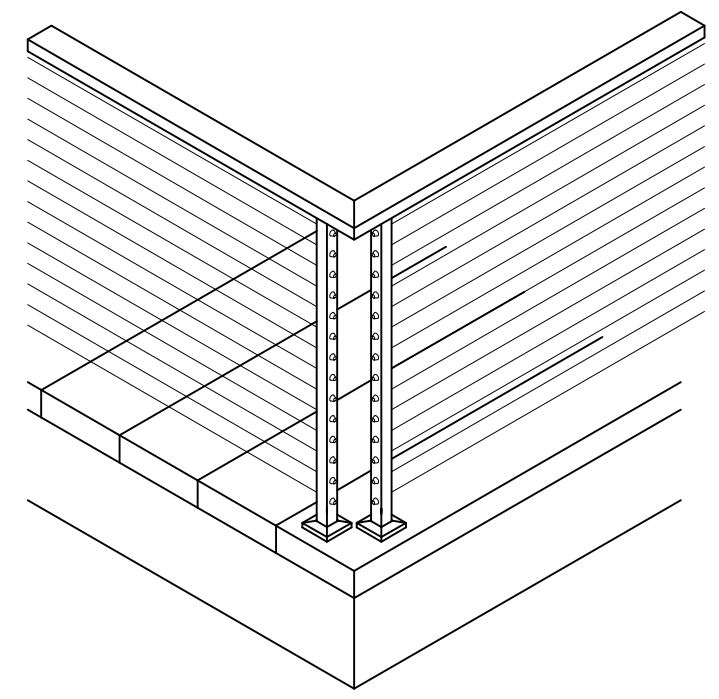


THE INFORMATION CONTAINED IN THIS DRAWING IS THE SOLE PROPERTY OF SUNCOR STAINLESS. ANY REPRODUCTION IN PART OR WHOLE WITHOUT THE WRITTEN PERMISSION OF SUNCOR STAINLESS IS PROHIBITED.

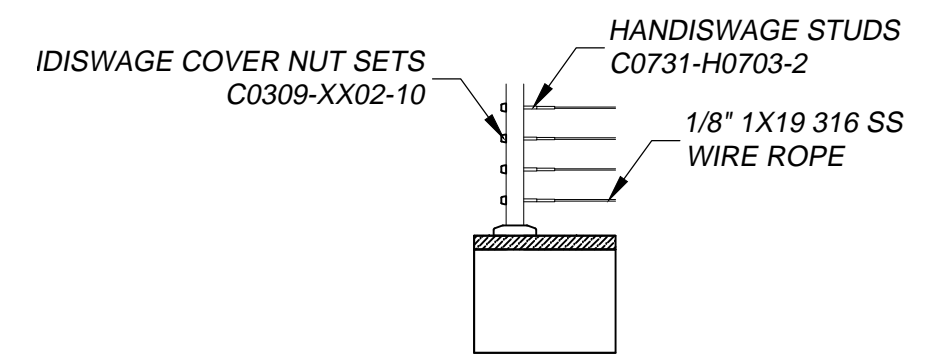
REVISIONS			
REV	DESCRIPTION	DATE	APPROVED
A	SAMPLE DRAWING	6/19/19	NMJ



DETAIL A - FASCIA MOUNTED 42" SPECTRUM POST
NTS

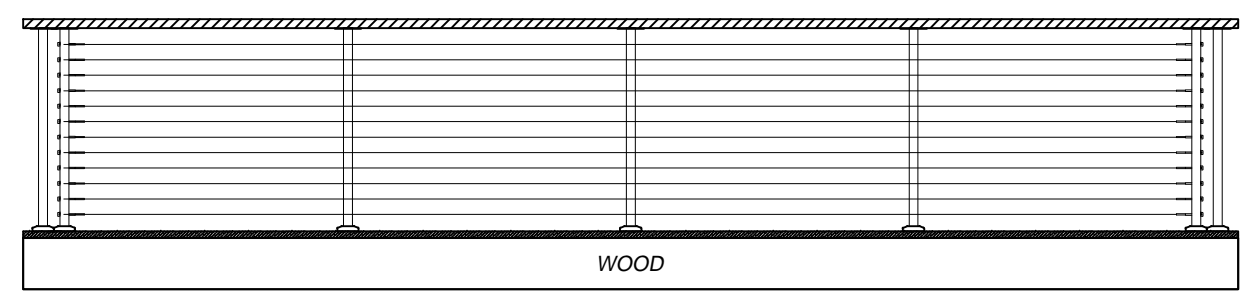


DETAIL B - DOUBLE POST AT CORNERS
NTS



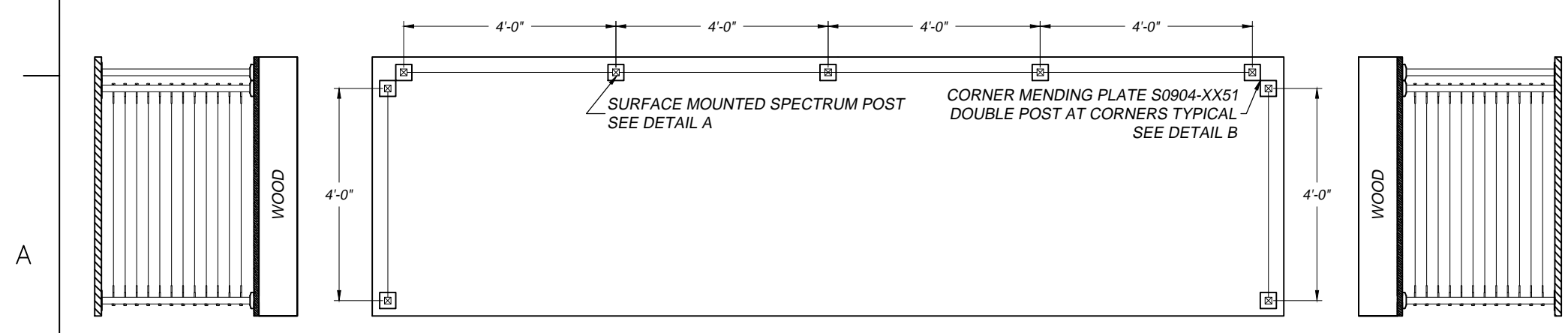
DETAIL C - HANDISWAGE ASSEMBLY
NTS

AVAILABLE POSTS:
S0905-XX42 (LEVEL POSTS)
S0905-XX38-ST (STAIR POSTS)
NOTES:
XX DENOTES COLOR OF SPECTRUM POSTS.



Deck or mounting area and stair dimensions **MUST** be confirmed by the customer and or contractor. Suncor/Atlantis rail will **NOT** be responsible for errors or misinterpretations of the railing system designed by us based upon customer confirmed dimensions. Additional drawing time to change the design or correct for errors after signing will result in additional costs as well as any changes to parts made per the drawing. Carefully review the drawing before signing and accepting.

PLEASE NOTE:
SPECTRUM SYSTEM POSTS ARE SPACED AT 48" MAX.
DO NOT SPACE POSTS FARTHER THAN THE 48" MAX.



PLAN VIEW - DECK AREA
NTS

CUSTOMER SIGNATURE: _____ DATE: _____

UNLESS OTHERWISE SPECIFIED DIMENSIONS ARE IN INCHES TOLERANCES ARE:		CAD GENERATED DRAWING DO NOT MANUALLY UPDATE	
FRACTIONS	DECIMALS	ANGLES	
±1/64"	.X ±0.05	±1/2	
	.XX ±0.01		
	.XXX ±0.005		
APPROVALS		DATE	
DRAWN	NMJ	6/19/19	
CHECKED	JS	6/20/19	
RESP ENG			
MATERIAL	316SS		
FINISH	XXX		
SCALE: NTS		CAD FILE: xxxxxxxxxxxx	SHEET



42" SURFACE MOUNTED SPECTRUM SAMPLE DRAWING

SIZE	D	FSCM NO.	ORDER NO.	XXXXXX-XX	REV	A
SCALE: NTS		CAD FILE: xxxxxxxxxxxx		SHEET		