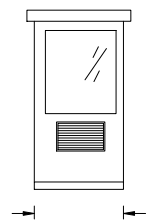
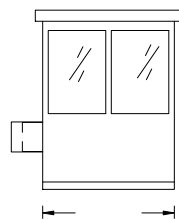
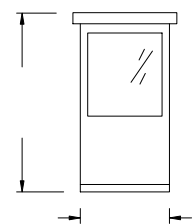
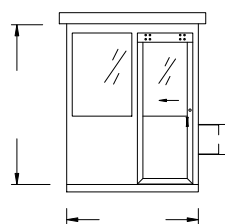
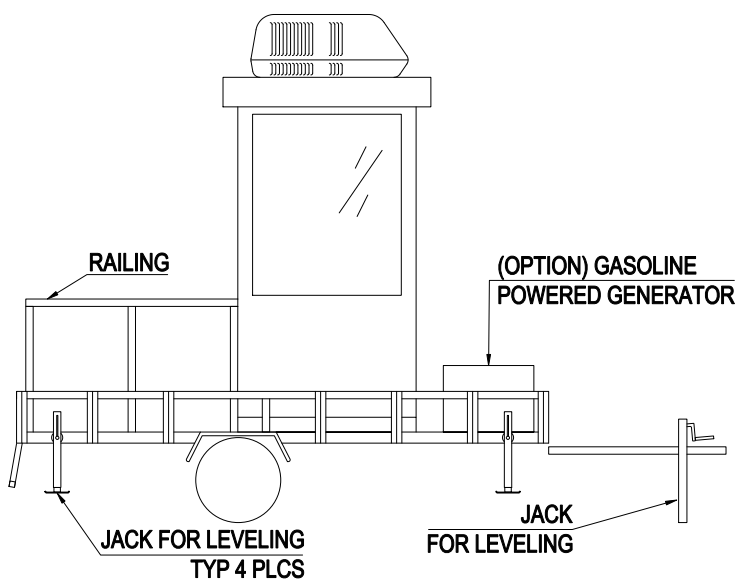
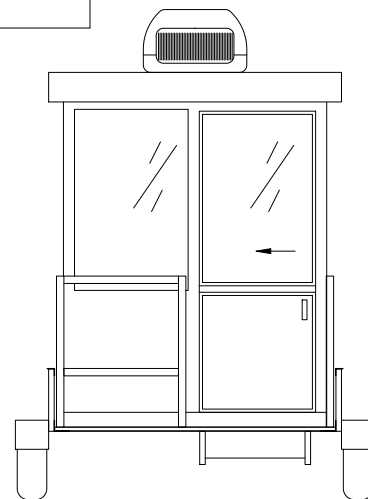
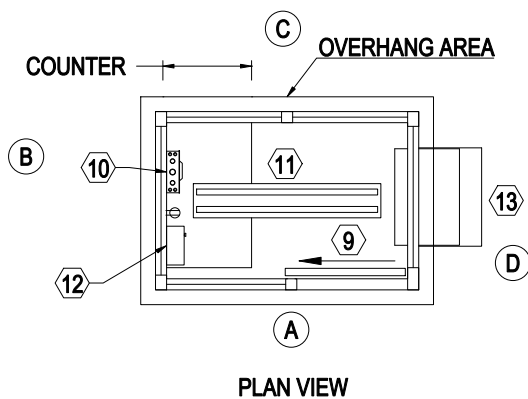


\* REFER TO MANUFACTURER'S SPECIFICATIONS FOR MORE INFORMATION.

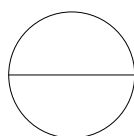
SELECT DESIRED SIZE

- |                                   |                                      |                                   |
|-----------------------------------|--------------------------------------|-----------------------------------|
| <input type="checkbox"/> 3' x 4'  | <input type="checkbox"/> 5' x 7'     | <input type="checkbox"/> 8' x 8'  |
| <input type="checkbox"/> 4' x 4'  | <input type="checkbox"/> 5.5' x 7.5' | <input type="checkbox"/> 8' x 10' |
| <input type="checkbox"/> 4' x 5'  | <input type="checkbox"/> 5' x 8'     | <input type="checkbox"/> 8' x 12' |
| <input type="checkbox"/> 4' x 6'  | <input type="checkbox"/> 5' x 9'     | <input type="checkbox"/> 8' x 14' |
| <input type="checkbox"/> 4' x 7'  | <input type="checkbox"/> 5' x 10'    | <input type="checkbox"/> 8' x 16' |
| <input type="checkbox"/> 4' x 8'  | <input type="checkbox"/> 6' x 6'     | <input type="checkbox"/> CUSTOM   |
| <input type="checkbox"/> 4' x 9'  | <input type="checkbox"/> 6' x 8'     |                                   |
| <input type="checkbox"/> 4' x 10' | <input type="checkbox"/> 6' x 10'    |                                   |
| <input type="checkbox"/> 5' x 5'  | <input type="checkbox"/> 6' x 12'    |                                   |
| <input type="checkbox"/> 5' x 6'  | <input type="checkbox"/> 6' x 15'    |                                   |







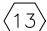
**NOTES:**

1. INSTALLATION TO BE COMPLETED IN ACCORDANCE WITH MANUFACTURER'S SPECIFICATIONS.
2. DO NOT SCALE DRAWINGS.
3. CUSTOM MATCHING: COLORS & SIGNAGE AVAILABLE.
4. SEE PICTURE # 30 IN AUSTIN MOHAWK BROCHURE.



**DEFIANCE**  
ALUM/STEEL BUILDING

**LEGEND:**

-  - DOOR
-  - ELECTRICAL
-  - LIGHTING (DUAL BULB, FLUORESCENT STRIP LIGHTS)
-  - HEAT (LOCATION OPTIONAL)
-  - GENERATOR