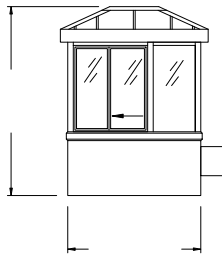
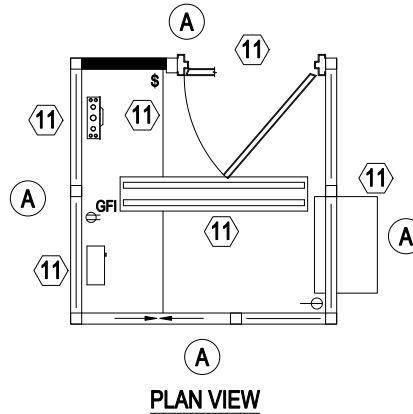


Austin Mohawk and Company, Inc.
 2175 BEECHGROVE PLACE,
 UTICA, NY 13501
 TOLL FREE: 800-765-3110
 FAX: (315) 793-9370
 www.austinmohawk.com

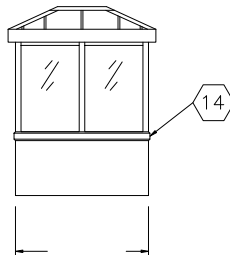
* REFER TO MANUFACTURER'S SPECIFICATIONS FOR MORE INFORMATION.

SELECT DESIRED SIZE

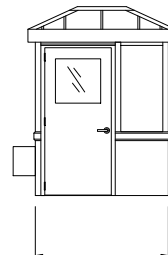
- | | | |
|--------------------------------------|-----------------------------------|------------------------------------|
| <input type="checkbox"/> 3' x 4' | <input type="checkbox"/> 5' x 8' | <input type="checkbox"/> 8' x 16' |
| <input type="checkbox"/> 4' x 4' | <input type="checkbox"/> 5' x 9' | <input type="checkbox"/> 10' x 10' |
| <input type="checkbox"/> 4' x 5' | <input type="checkbox"/> 5' x 10' | <input type="checkbox"/> 10' x 12' |
| <input type="checkbox"/> 4' x 6' | <input type="checkbox"/> 6' x 6' | <input type="checkbox"/> 10' x 14' |
| <input type="checkbox"/> 4' x 7' | <input type="checkbox"/> 6' x 8' | <input type="checkbox"/> 10' x 16' |
| <input type="checkbox"/> 4' x 8' | <input type="checkbox"/> 6' x 10' | <input type="checkbox"/> 10' x 20' |
| <input type="checkbox"/> 4' x 9' | <input type="checkbox"/> 6' x 12' | <input type="checkbox"/> 12' x 12' |
| <input type="checkbox"/> 4' x 10' | <input type="checkbox"/> 6' x 15' | <input type="checkbox"/> 12' x 14' |
| <input type="checkbox"/> 5' x 5' | <input type="checkbox"/> 8' x 8' | <input type="checkbox"/> 12' x 16' |
| <input type="checkbox"/> 5' x 6' | <input type="checkbox"/> 8' x 10' | <input type="checkbox"/> 12' x 18' |
| <input type="checkbox"/> 5' x 7' | <input type="checkbox"/> 8' x 12' | <input type="checkbox"/> 12' x 20' |
| <input type="checkbox"/> 5.5' x 7.5' | <input type="checkbox"/> 8' x 14' | <input type="checkbox"/> CUSTOM |



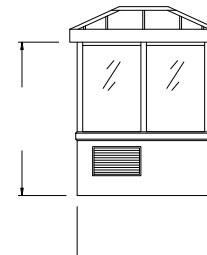
ELEVATION A



ELEVATION B



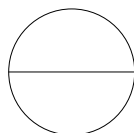
ELEVATION C



ELEVATION D

NOTES:

1. INSTALLATION TO BE COMPLETED IN ACCORDANCE WITH MANUFACTURER'S SPECIFICATIONS.
2. DO NOT SCALE DRAWINGS.
3. CUSTOM MATCHING: COLORS AVAILABLE.
4. SEE PICTURE # 18 IN AUSTIN MOHAWK BROCHURE.



MACDONALDS
 ALUM/STEEL BUILDING

LEGEND:

- DOOR
- ELECTRICAL
- LIGHTING (DUAL BULB, FLUORESCENT STRIP LIGHTS)
- HEAT (LOCATION OPTIONAL)
- COUNTER
- A/C (LOCATION OPTIONAL)
- REVEAL