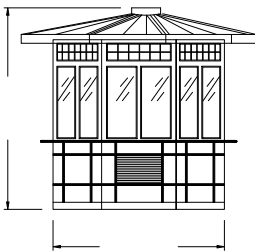
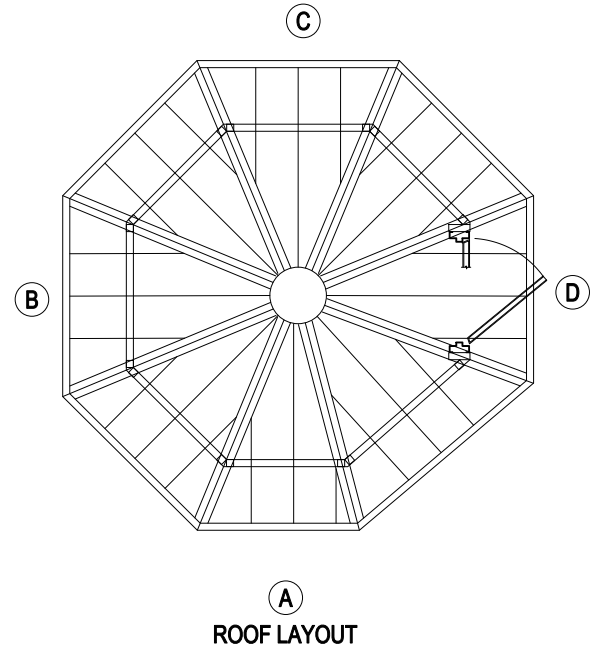
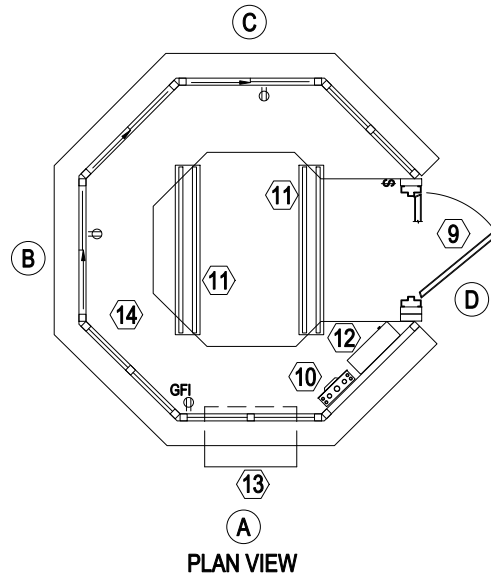
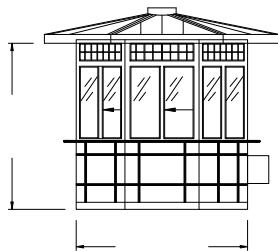


* REFER TO MANUFACTURER'S SPECIFICATIONS FOR MORE INFORMATION.

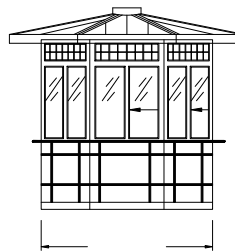
- SELECT DESIRED SIZE
- 6' x 6' 12' x 12'
- 8' x 8' CUSTOM
- 10' x 10'



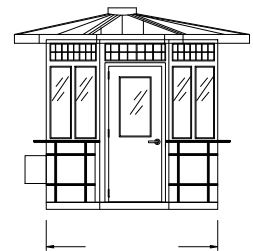
ELEVATION A



ELEVATION B



ELEVATION C

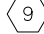
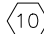
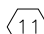
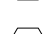
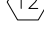
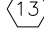


ELEVATION D

NOTES:

1. INSTALLATION TO BE COMPLETED IN ACCORDANCE WITH MANUFACTURER'S SPECIFICATIONS.
2. DO NOT SCALE DRAWINGS.
3. CUSTOM MATCHING: COLORS & SIGNAGE AVAILABLE.
4. SEE PICTURE # 10 IN AUSTIN MOHAWK BROCHURE.

LEGEND:

-  - DOOR
-  - ELECTRICAL
-  - LIGHTING (DUAL BULB, FLUORESCENT STRIP LIGHTS)
-  - HEAT (LOCATION OPTIONAL)
-  - A/C (LOCATION OPTIONAL)
-  - COUNTER

