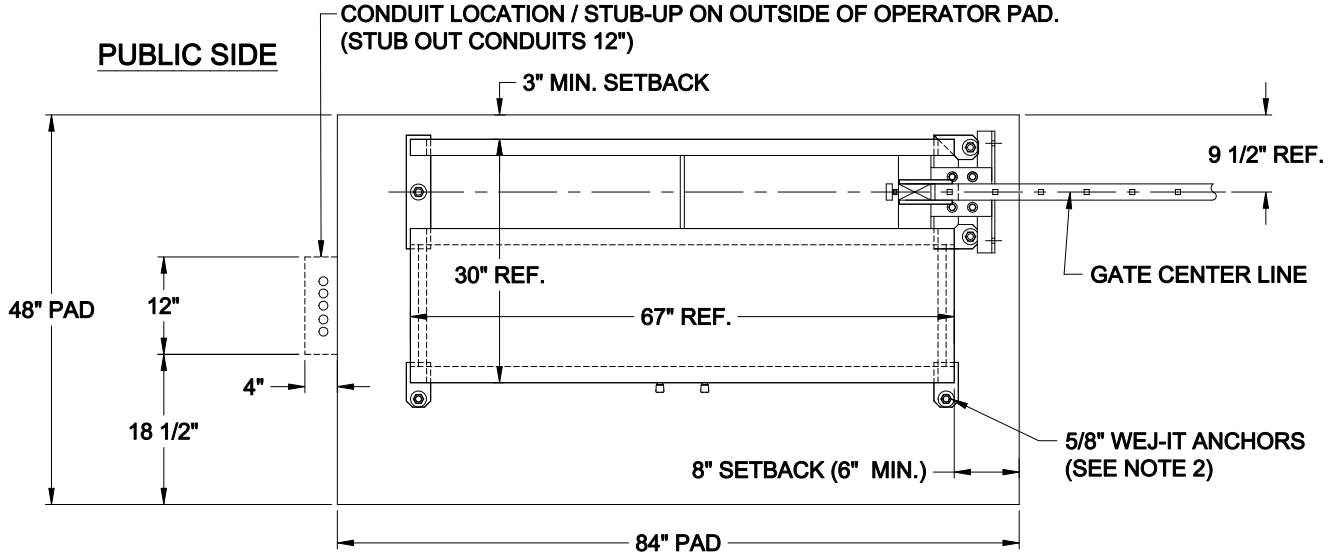


LEFTHAND OPERATOR



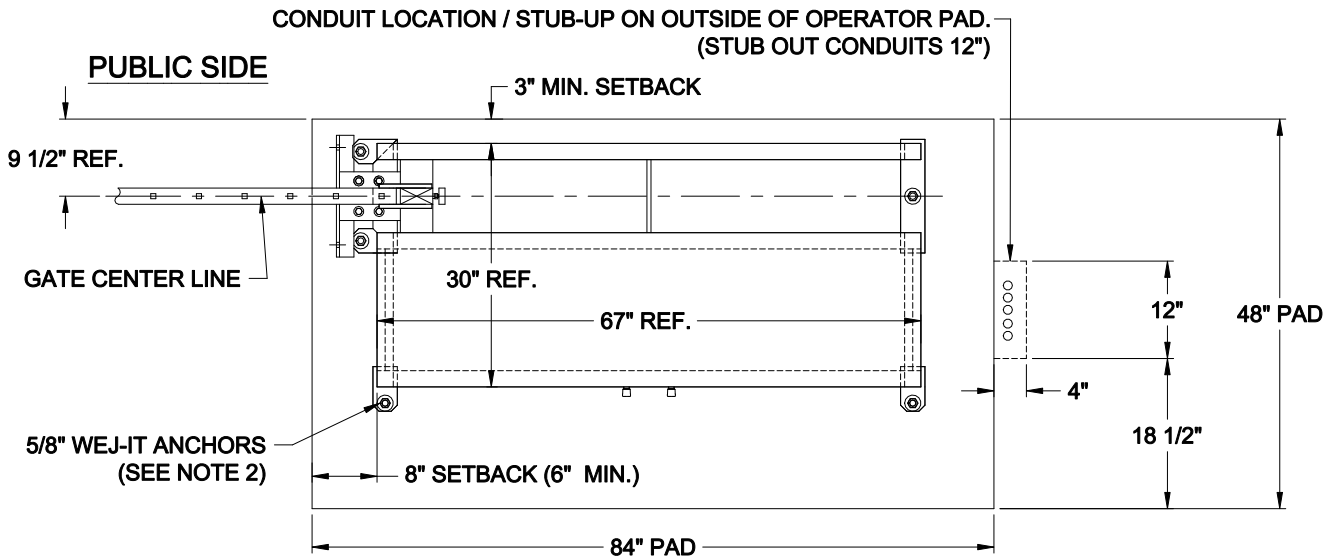
PRIVATE/SECURED SIDE

- POSSIBLE CONDUITS * (USE 3/4" CONDUIT ONLY) ***
- * 120 VAC, MIN. 15 AMP CIRCUIT
 - * "ENTRANCE" KEYPAD
 - * "EXIT" KEYPAD
 - * REVERSING/SAFETY LOOPS
 - * FREE EXIT LOOP
 - * OFFICE COMMUNICATION
 - * IFR BEAM POWER
 - * OPTIONAL SPARES

NOTES:

- 1) PAD DIMENSIONS CAN VARY PER SITE
- 2) LEAVE AT LEAST 3" BETWEEN ANCHOR AND EDGE OF PAD
- 3) ALL PADS MUST BE POURED LEVEL AND BELOW LOCAL FROST LINE DEPTH

RIGHTHAND OPERATOR



PRIVATE/SECURED SIDE

- POSSIBLE CONDUITS * (USE 3/4" CONDUIT ONLY) ***
- * 120 VAC, MIN. 15 AMP CIRCUIT
 - * "ENTRANCE" KEYPAD
 - * "EXIT" KEYPAD
 - * REVERSING/SAFETY LOOPS
 - * FREE EXIT LOOP
 - * OFFICE COMMUNICATION
 - * IFR BEAM POWER
 - * OPTIONAL SPARES

NOTES:

- 1) PAD DIMENSIONS CAN VARY PER SITE
- 2) LEAVE AT LEAST 3" BETWEEN ANCHOR AND EDGE OF PAD
- 3) ALL PADS MUST BE POURED LEVEL AND BELOW LOCAL FROST LINE DEPTH

NOTICE	
THE INFORMATION CONTAINED ON THIS DOCUMENT IS CONFIDENTIAL. ANY DISSEMINATION, UNAPPROVED DISCLOSURE OR COPYING OF THIS INFORMATION IS STRICTLY PROHIBITED.	
UNLESS OTHERWISE SPECIFIED DIMENSIONS ARE IN INCHES ANGLES ± 1°	
XX ± 1/32, XXX ± .01, XXXX ± .005	

Date:	08/02/16
Drn. By:	MKS
Ckd. By:	KAY



Dwg.:	102C Conduit Pad Location (LH & RH)
Title:	102C Conduit Pad Location (LH & RH)