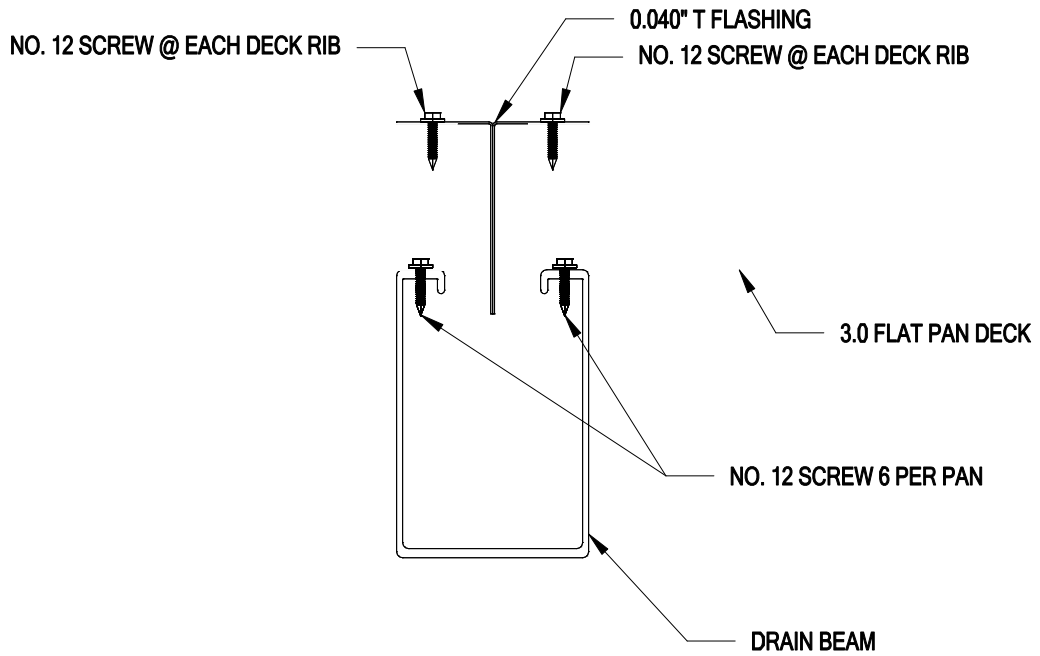


ISOMETRIC



3.0 FLAT PAN DECK TO DRAIN BEAM