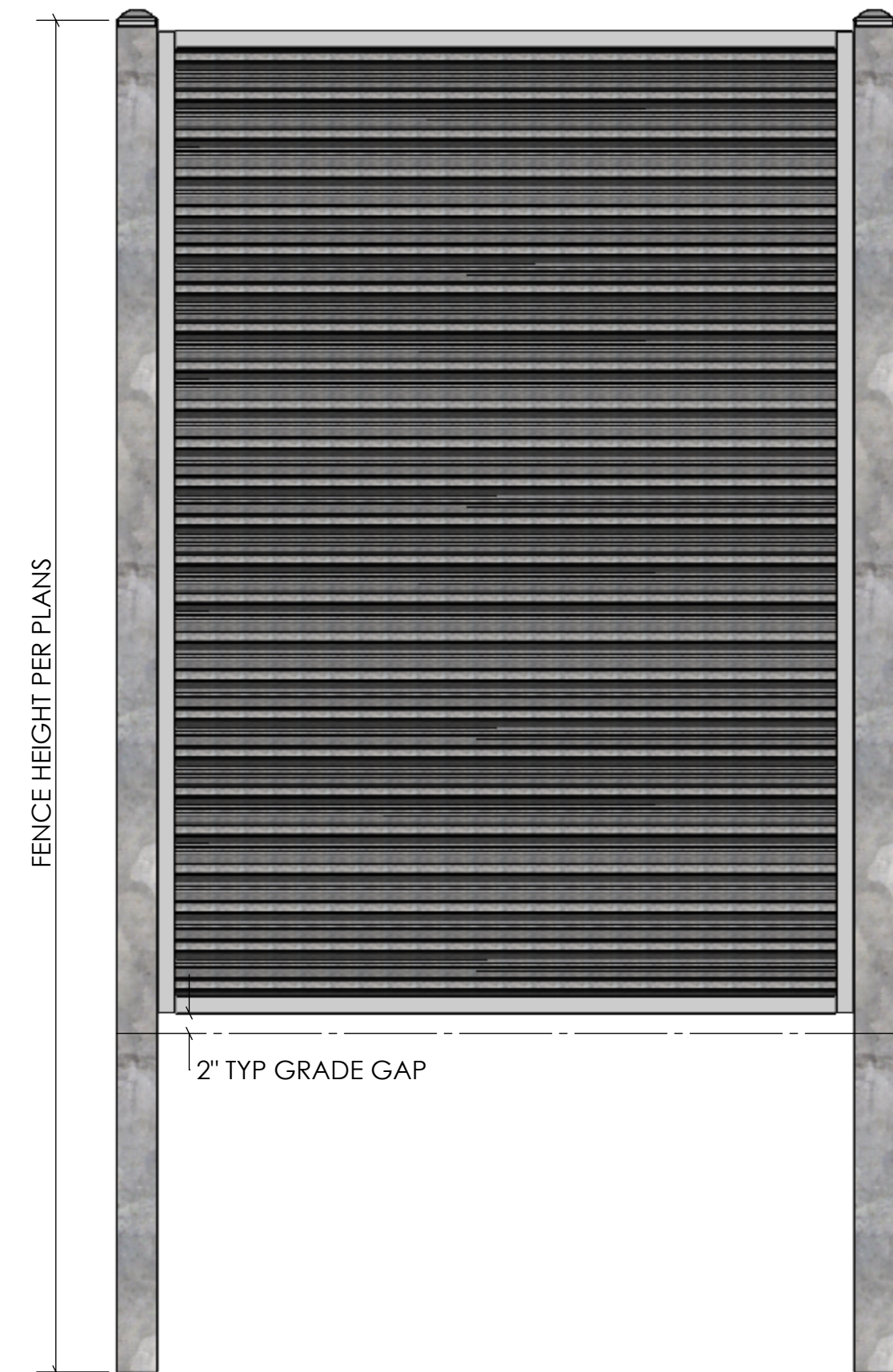
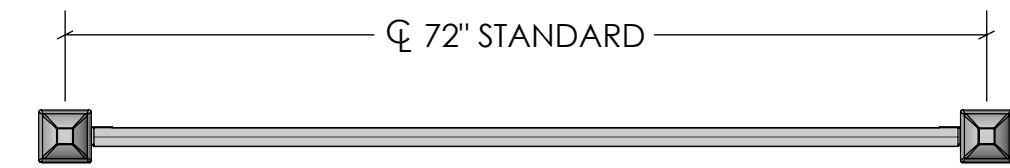


FENCE SPECIFICATION NOTES

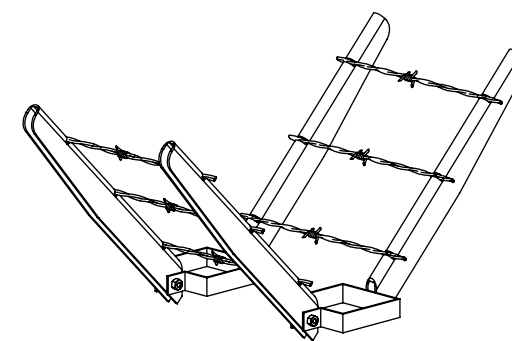
- **FENCE POSTS** - 4" SQUARE X 11 GA. (STANDARD, OTHER POSTS APPLICATION SPECIFIC).  
MINIMUM 50 KSI YIELD AND 55KSI TENSILE  
MINIMUM G90 GALVANIZED PER ASTM A787 AND A1057
- **FENCE PICKETS** - 5" WIDE, LIQUID COLOR COATED (IN STANDARD COLORS) AND ROLL FORMED  
.017" THICK FULL-HARD 80 KSI STEEL  
MINIMUM G90 GALVANIZED PER ASTM A653  
2-COAT THERMO-CURED PAINT SYSTEM CONSISTING OF:  
PRIMER UNDERCOAT  
FLUOROPOLYMER TOP COAT CONTAINING MINIMUM 70 PERCENT POLYVINYLIDENE DIFLUORIDE BY WEIGHT.  
COMPLIES WITH THE PHYSICAL PROPERTIES AND COATING PERFORMANCE REQUIREMENTS OF AAMA 621
- **C-CHANNEL RAILS**-  
ROLL FORMED 14 GAUGE GRADE 50 MINIMUM STEEL PER ASTM A653  
MINIMUM G90 GALVANIZED
- **U-CHANNELS AND RAIL BRACKETS**-  
FORMED 14 GAUGE GRADE 50 MINIMUM STEEL PER ASTM A653  
MINIMUM G90 GALVANIZED
- **HARDWARE** -  
PICKET FASTENERS PER ANSI B1.13M  
SERIES 302 STAINLESS STEEL 6-LOBE PIN-IN SECURITY TRUSS HEAD  
PULL-OUT STRENGTH 5500 NEWTONS  
CARRIAGE BOLTS AND NUTS FOR RAIL ATTACHMENT  
1/2-20" ASTM F593 18-8 STAINLESS STEEL  
THREAD-FORMING SCREWS FOR RAIL BRACKET AND CHANNEL ATTACHMENT  
1/4-14" 410 STAINLESS STEEL SELF-DRILLING SCREW



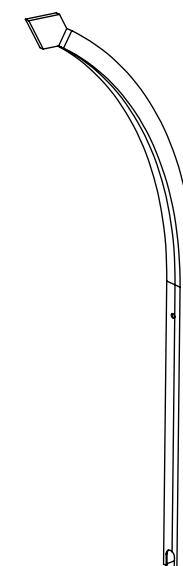
PICKET LAYOUT



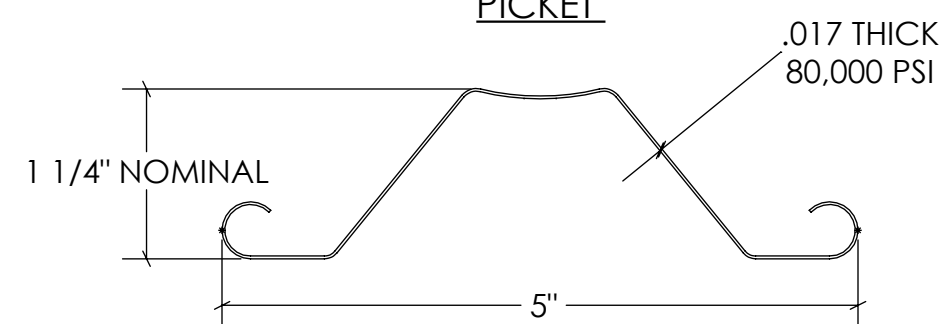
BARB ARM TOPPER OPTION



R-TOP OPTION



PICKET



NOTES:

- INSTALLATION TO BE COMPLETED IN ACCORDANCE WITH MANUFACTURER'S SPECIFICATIONS.
- DO NOT SCALE DRAWING.
- THIS DRAWING IS INTENDED FOR USE BY ARCHITECTS, ENGINEERS, CONTRACTORS, CONSULTANTS AND DESIGN PROFESSIONALS FOR PLANNING PURPOSES ONLY. THIS DRAWING MAY NOT BE USED FOR CONSTRUCTION.
- ALL INFORMATION CONTAINED HERE WAS CURRENT AT THE TIME OF DEVELOPMENT BUT MUST BE REVIEWED AND APPROVED BY THE PRODUCT MANUFACTURER TO BE CONSIDERED ACCURATE.

**SUBMITTALS ARE NOT FOR CONSTRUCTION  
PROVIDE FIELD MEASUREMENT PRIOR TO FABRICATION**

Kynar 500® Top Coat Colors



Custom colors available. Please request color samples.



**BASTEEL**  
PERIMETER SYSTEMS™

NAME	DATE	CUSTOMER:
DRAWN BY	REP	3/22/2021
FINISH		TITLE:
COLOR		RAMPART SECURITY FENCE GENERIC SUBMITTAL
PROPRIETARY AND CONFIDENTIAL THE INFORMATION CONTAINED IN THIS DRAWING IS THE SOLE PROPERTY OF BASTEEL PERIMETER SYSTEMS. ANY REPRODUCTION IN PART OR AS A WHOLE WITHOUT THE WRITTEN PERMISSION OF BASTEEL PERIMETER SYSTEMS IS PROHIBITED.		SIZE
DWG.		REV
C		C-SUBMITTAL
WEIGHT:		1