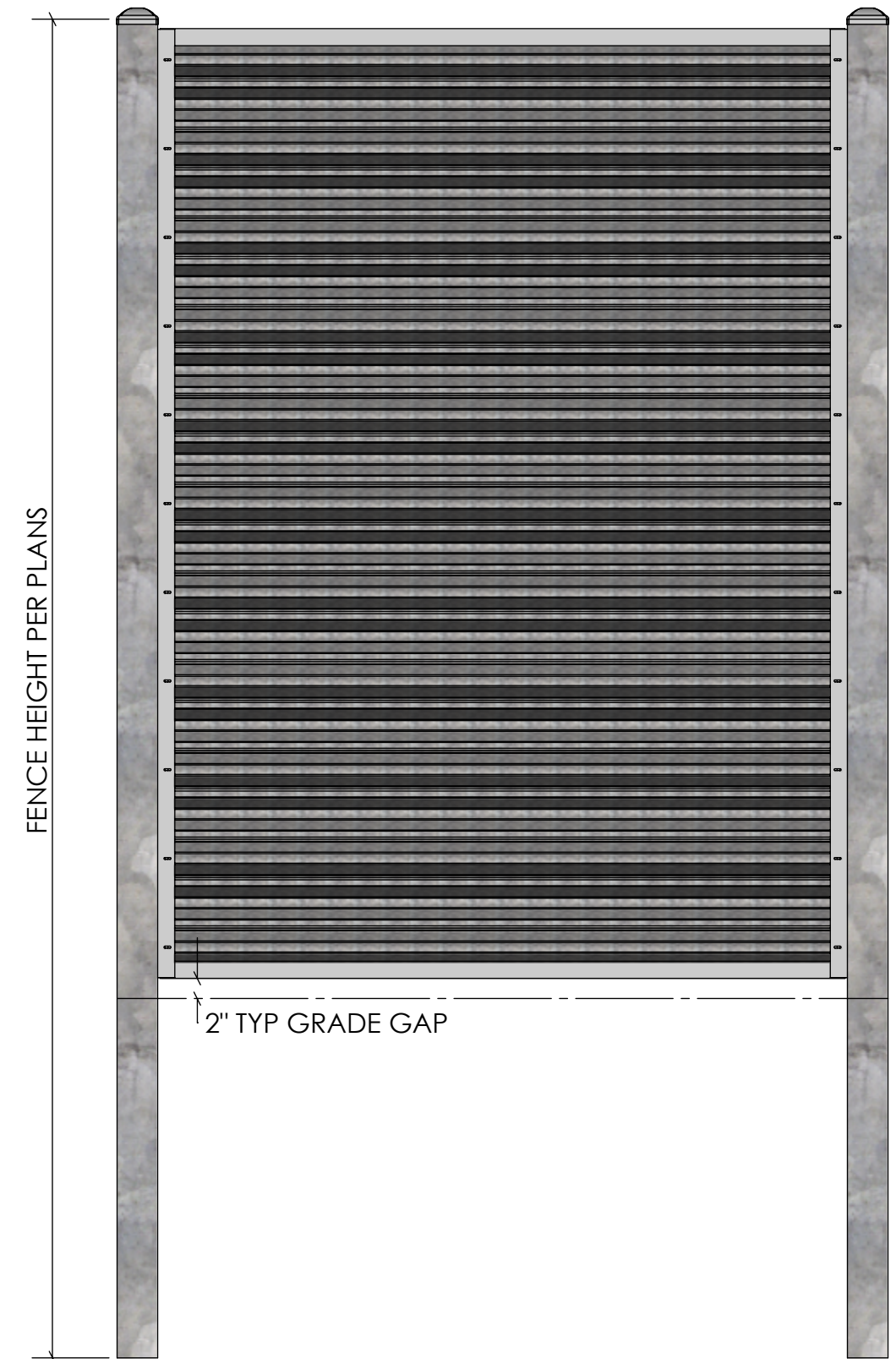
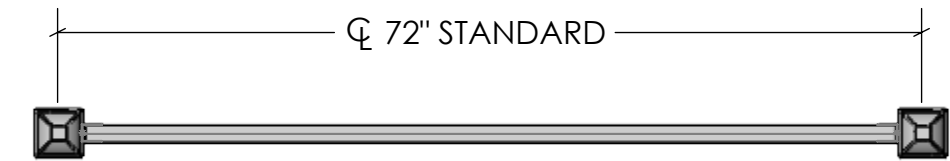
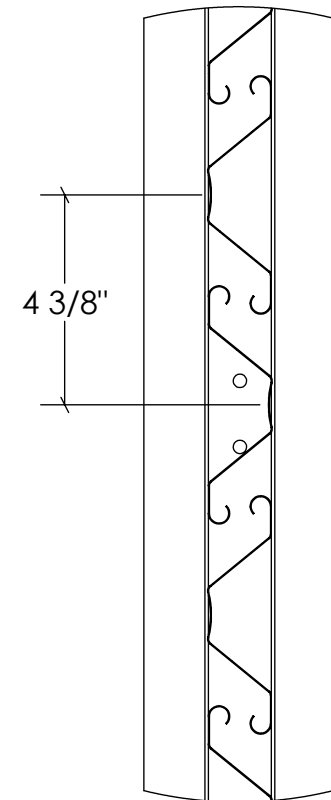
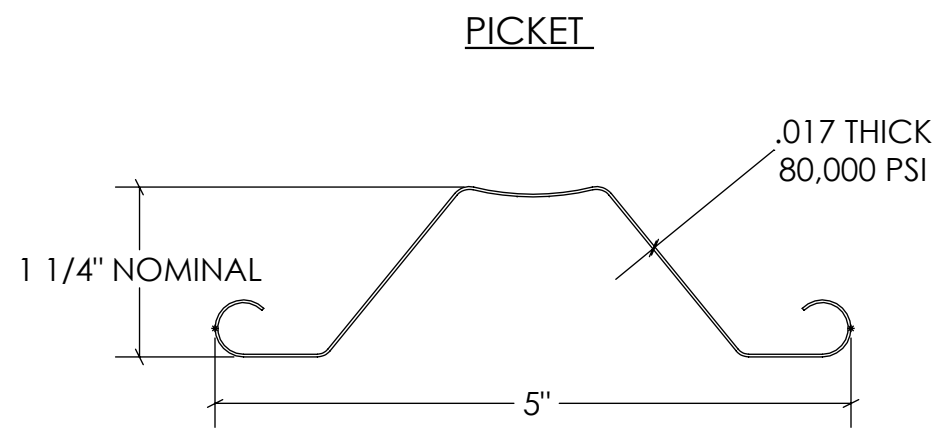


FENCE SPECIFICATION NOTES

- FENCE POSTS** - 4" SQUARE X 11 GA. (STANDARD, OTHER POSTS APPLICATION SPECIFIC).
 MINIMUM 50 KSI YIELD AND 55KSI TENSILE
 MINIMUM G90 GALVANIZED PER ASTM A787 AND A1057
- FENCE PICKETS** - 5" WIDE, LIQUID COLOR COATED (IN STANDARD COLORS) AND ROLL FORMED
 .017" THICK FULL-HARD 80 KSI STEEL
 MINIMUM G90 GALVANIZED PER ASTM A653
 2-COAT THERMO-CURED PAINT SYSTEM CONSISTING OF:
 PRIMER UNDERCOAT
 FLUOROPOLYMER TOP COAT CONTAINING MINIMUM 70 PERCENT POLYVINYLIDENE DIFLUORIDE BY WEIGHT.
 COMPLIES WITH THE PHYSICAL PROPERTIES AND COATING PERFORMANCE REQUIREMENTS OF AAMA 621
- C-CHANNEL RAILS**-
 ROLL FORMED 14 GAUGE GRADE 50 MINIMUM STEEL PER ASTM A653
 MINIMUM G90 GALVANIZED
- U-CHANNELS AND RAIL BRACKETS**-
 FORMED 14 GAUGE GRADE 50 MINIMUM STEEL PER ASTM A653
 MINIMUM G90 GALVANIZED
- HARDWARE** -
 PICKET FASTENERS PER ANSI B1.13M
 SERIES 302 STAINLESS STEEL 6-LOBE PIN-IN SECURITY TRUSS HEAD
 PULL-OUT STRENGTH 5500 NEWTONS
 CARRIAGE BOLTS AND NUTS FOR RAIL ATTACHMENT
 1/2-20" ASTM F593 18-8 STAINLESS STEEL
 THREAD-FORMING SCREWS FOR RAIL BRACKET AND CHANNEL ATTACHMENT
 1/4-14" 410 STAINLESS STEEL SELF-DRILLING SCREW



PICKET LAYOUT



NOTES:

- INSTALLATION TO BE COMPLETED IN ACCORDANCE WITH MANUFACTURER'S SPECIFICATIONS.
- DO NOT SCALE DRAWING.
- THIS DRAWING IS INTENDED FOR USE BY ARCHITECTS, ENGINEERS, CONTRACTORS, CONSULTANTS AND DESIGN PROFESSIONALS FOR PLANNING PURPOSES ONLY. THIS DRAWING MAY NOT BE USED FOR CONSTRUCTION.
- ALL INFORMATION CONTAINED HERE WAS CURRENT AT THE TIME OF DEVELOPMENT BUT MUST BE REVIEWED AND APPROVED BY THE PRODUCT MANUFACTURER TO BE CONSIDERED ACCURATE.

SUBMITTALS ARE NOT FOR CONSTRUCTION PROVIDE FIELD MEASUREMENT PRIOR TO FABRICATION			BASTEEL PERIMETER SYSTEMS™		
Kynar 500® Top Coat Colors					
Custom colors available. Please request color samples.					
NAME: _____ DATE: 3/22/2021		CUSTOMER: GENERIC SUBMITTAL			
DRAWN BY: REP		TITLE: WINDSOR FENCE GENERIC SUBMITTAL			
FINISH: POWDER COAT					
COLOR: _____					
PROPRIETARY AND CONFIDENTIAL THE INFORMATION CONTAINED IN THIS DRAWING IS THE SOLE PROPERTY OF BASTEEL PERIMETER SYSTEMS. ANY REPRODUCTION IN PART OR AS A WHOLE WITHOUT THE WRITTEN PERMISSION OF BASTEEL PERIMETER SYSTEMS IS PROHIBITED.			SIZE: C		DWG.: C-SUBMITTAL
			REV: 1		WEIGHT: _____