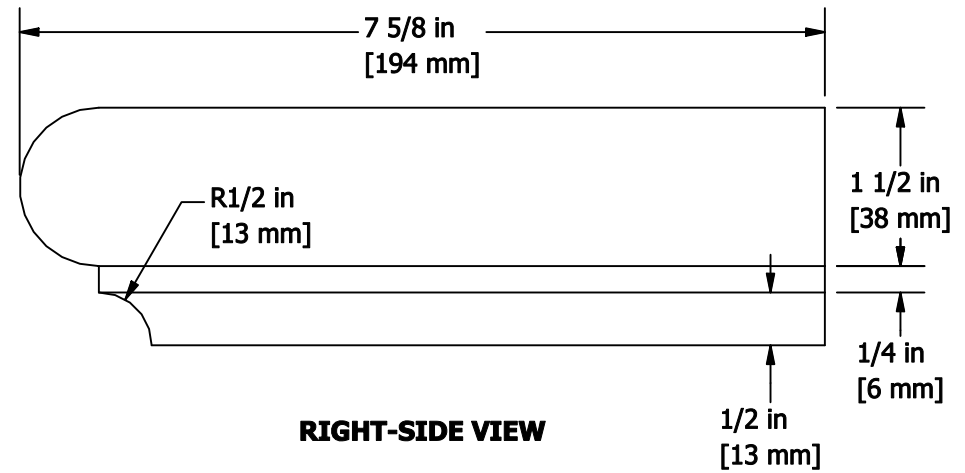
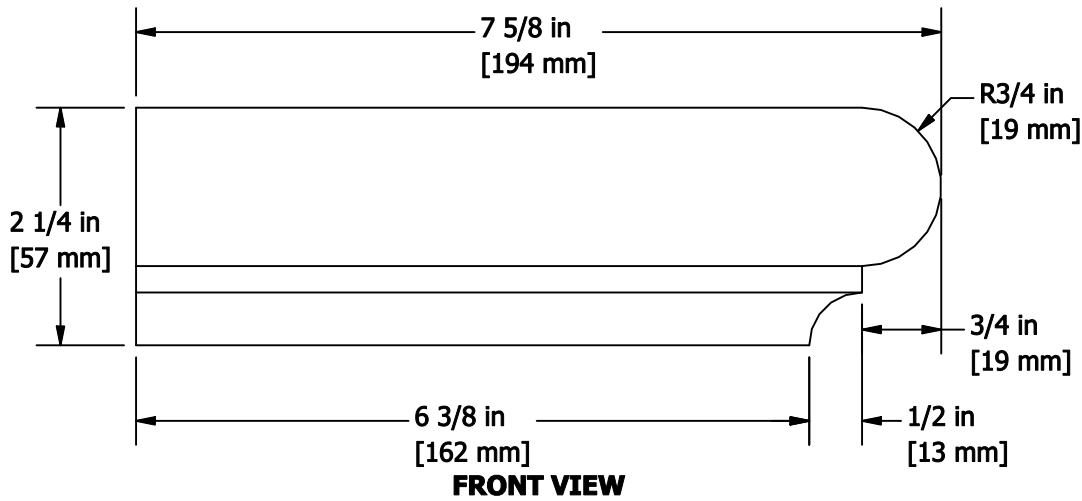


**ISOMETRIC VIEW**



**0.3 - BULLNOSE STEPTREAD EXTERNAL CORNER**  
**Modular (Stock)**

THE BELDEN BRICK COMPANY  
 CANTON, OHIO

**BELDEN**