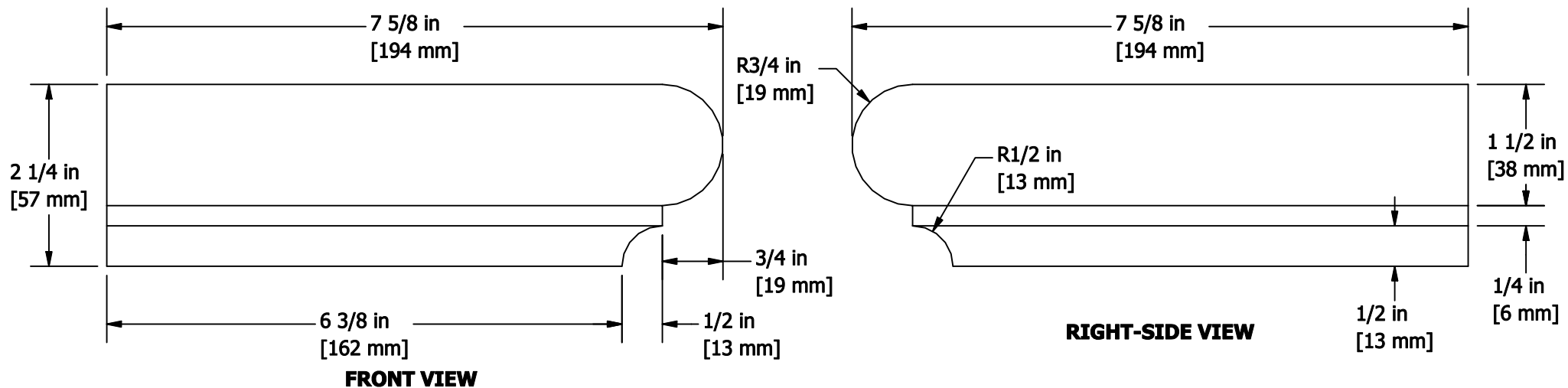


**ISOMETRIC VIEW**



**0.6 - BULLNOSE STEPTREAD EXTERNAL CORNER**  
**Modular (Standard)**

THE BELDEN BRICK COMPANY  
 CANTON, OHIO

**BELDEN**