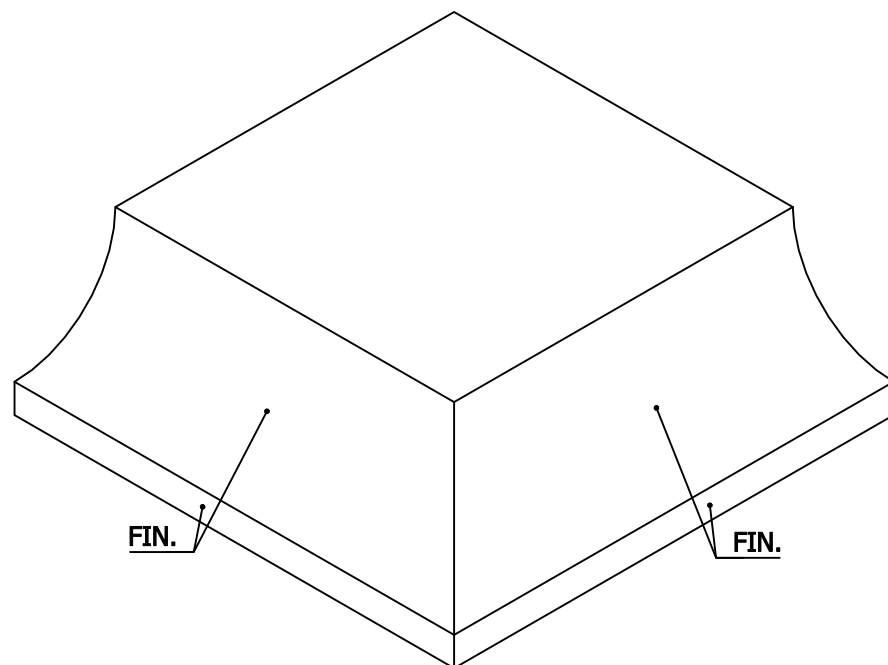
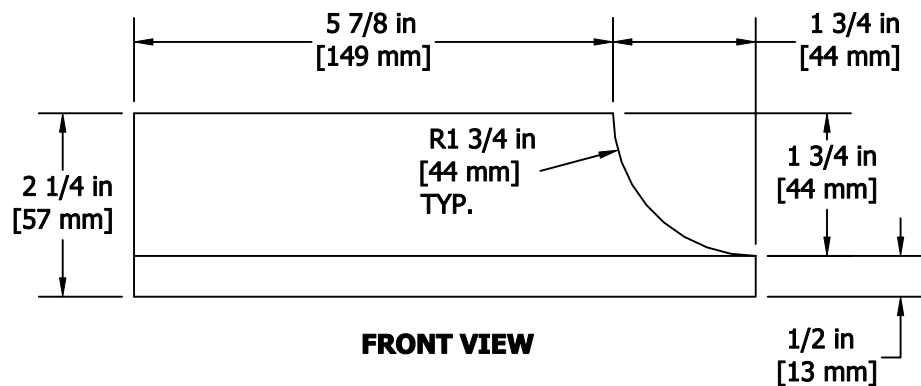


TOP VIEW



ISOMETRIC VIEW



FRONT VIEW

1.3 - 1-3/4" RAD. COVE HEADER EXTERNAL CORNER
Modular (Custom)

THE BELDEN BRICK COMPANY
 CANTON, OHIO

BELDEN