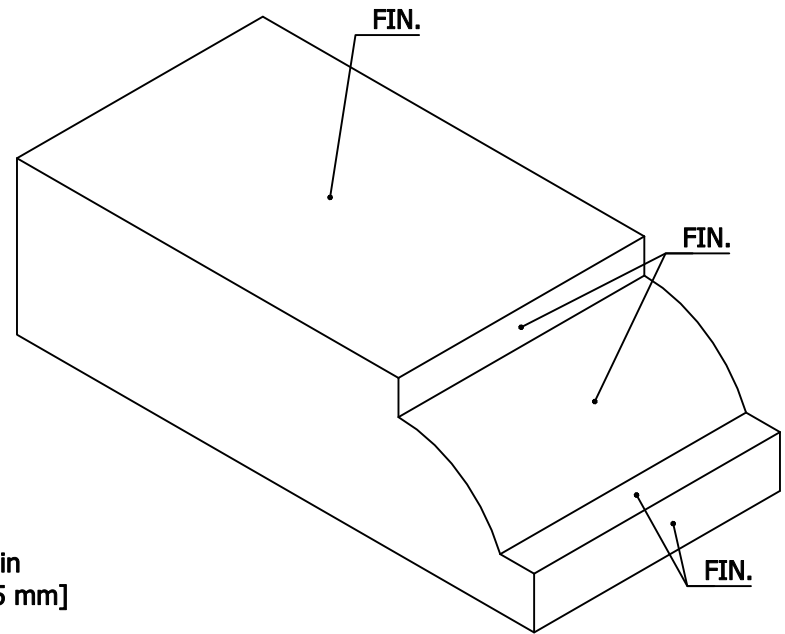
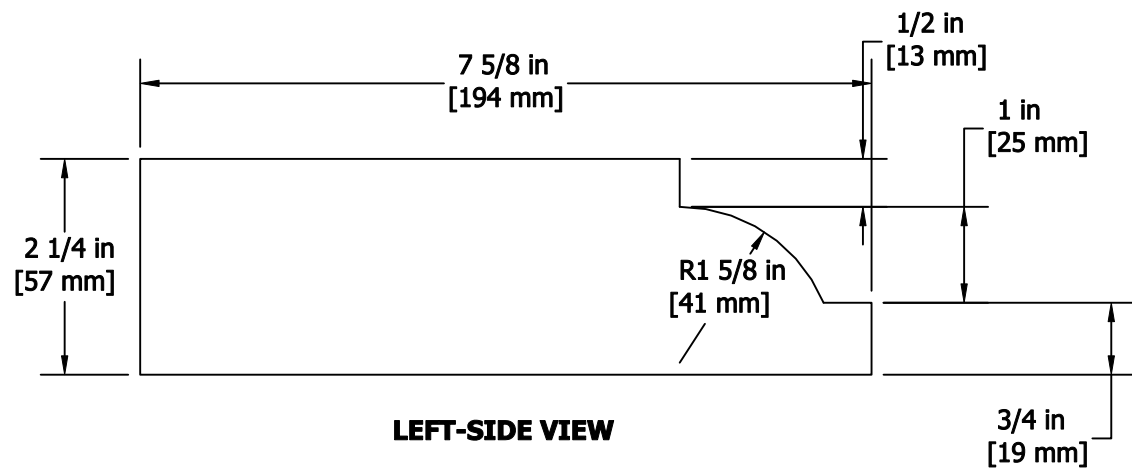


TOP VIEW



ISOMETRIC VIEW



LEFT-SIDE VIEW

1.5 - WATERTABLE HEADER
Modular (Custom)

THE BELDEN BRICK COMPANY
CANTON, OHIO

BELDEN