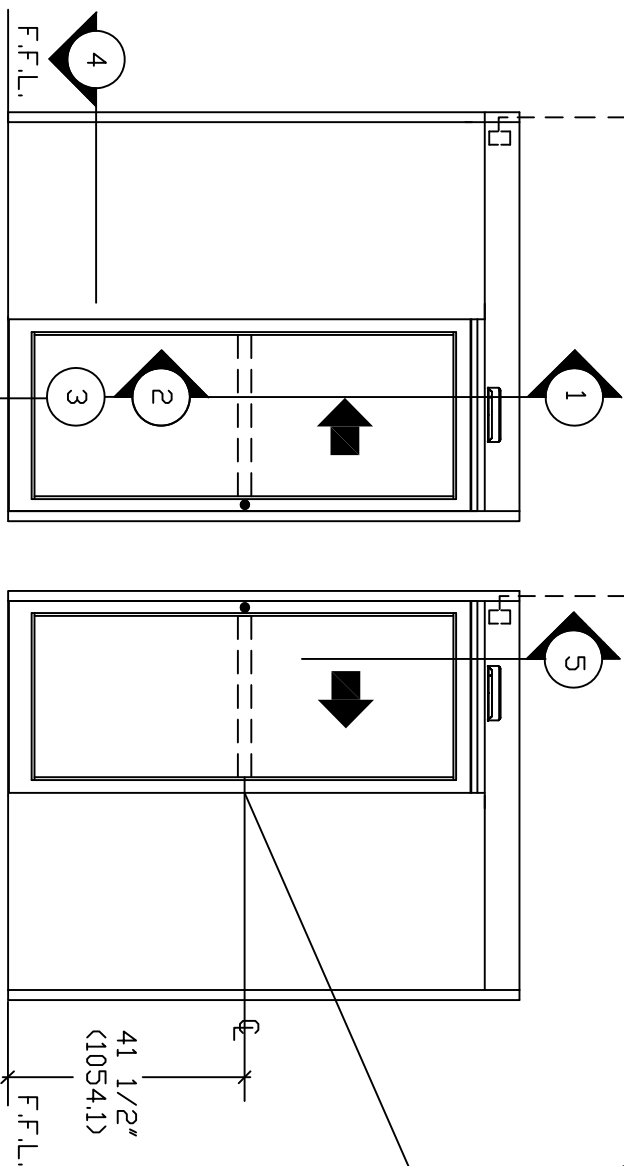
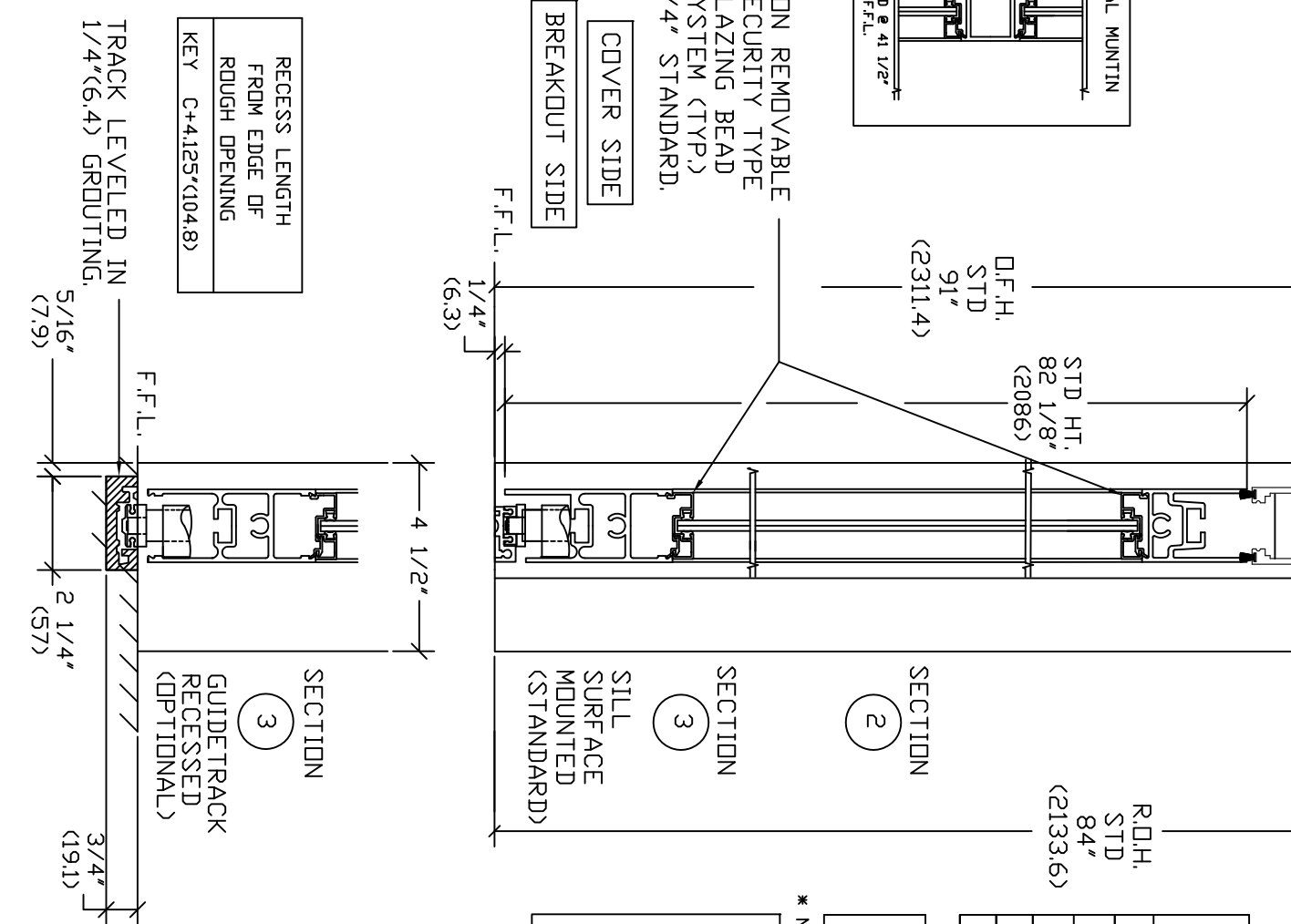
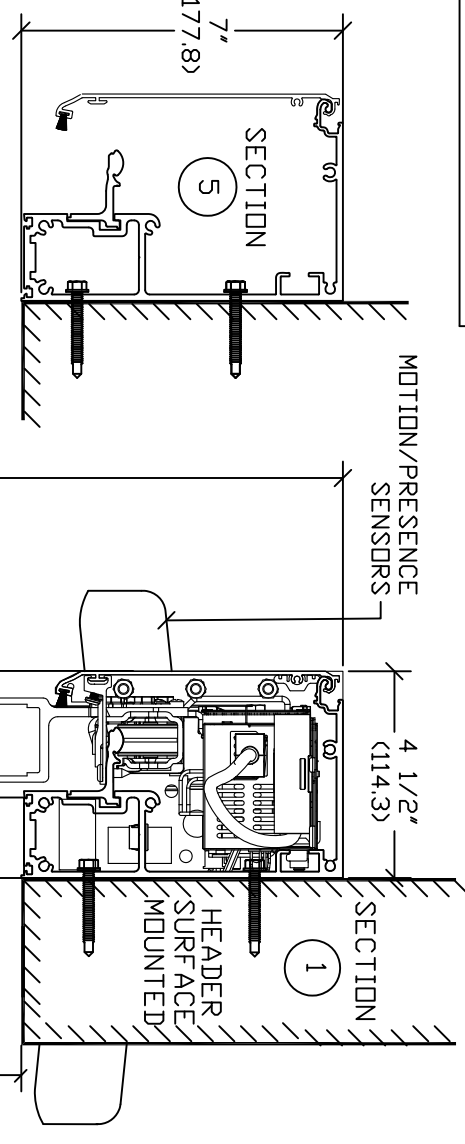
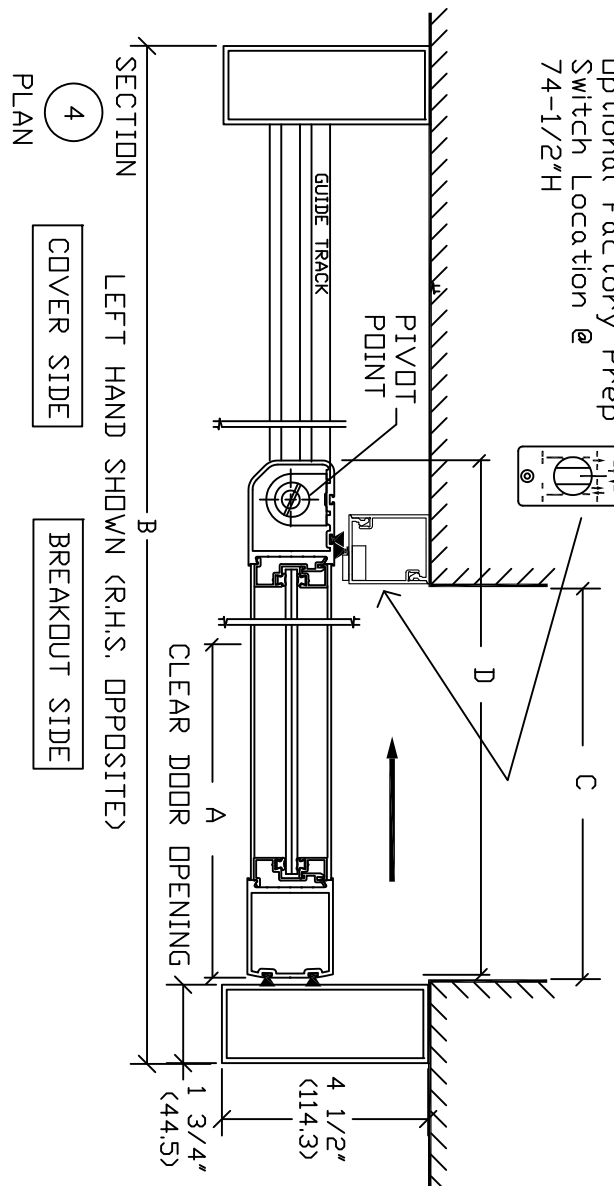


* ELECTRICAL SERVICE
120 VAC, 50/60 HZ.
15/20A. BY ELEC. CONTR.
TO JUNCTION BDX.



Optional Factory Prep
Switch Location @
74-1/2"H



NOTE: THE STANDARD PACKAGE CONSISTS OF:
THE AUTOMATIC OPERATOR & WEATHERSTRIP, FRAMES, DOORS WITH VERTICAL WEATHERSTRIP, EMERGENCY BREAKAWAY & 2-POINT LOCK, OPTIONAL POSITION SWITCHES (DIGITAL (3 OR 5) OR KEY (5)), OFF-EXIT ONLY-AUTO-REDUCED OPENING-HOLD OPEN OR OFF, AUTO, HOLD OPEN, MOTION/PRESENCE SENSORS, 6" JAMBS, STANDARD FINISH: CLEAR-AA-M12C22A41, CLASS 1, .018 MM, DARK BRONZE-AA-M12C22A44, CLASS 1, .018 MM
SPECIAL FINISHES ARE AVAILABLE.

THIS PACKAGE WILL ACCEPT UP TO 1" (25.4) INSULATED GLASS.

NOTE DRAWING IS DIMENSIONED IN BOTH ENGLISH AND METRIC REF. AS FOLLOWS 1" (25.4) ALL METRIC SIZES ARE MILLIMETERS.

* FOR MAXIMUM CURRENT DRAW PER OPERATOR, SEE PRODUCT SPECIFICATION, INSTALLATION INSTRUCTIONS, OR THE UL LABEL ON THE EQUIPMENT.

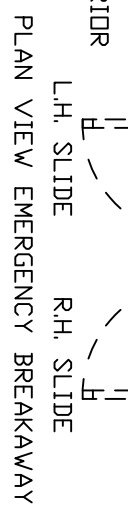
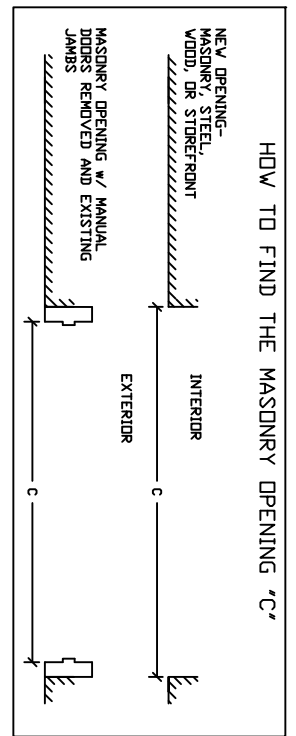
REFER TO RELEVANT (LOCAL, STATE, NATIONAL OR AHA) BUILDING CODE FOR MIN DOOR HEIGHT & MIN/MAX WIDTH ALLOWABLE FOR EGRESS REQUIREMENT IN CONJUNCTION WITH TABLE BELOW.

MASONRY OPENING WIDTH C	ACTIVE LEAF WIDTH D	DOOR OPENING A	OVERALL FRAME HEIGHT	ROUGH OPENING HEIGHT	OVERALL FRAME WIDTH B
36" (914.4)	38 5/8" (981.1)	32 3/8" (822.3)	91" (2311.4)	84" (2134)	78 1/4" (1987.6)
42" (1066.8)	44 5/8" (1133.5)	38 3/8" (974.7)	91" (2311.4)	84" (2134)	90 1/4" (2292.4)
48" (1219.2)	50 5/8" (1285.9)	44 3/8" (1127.1)	91" (2311.4)	84" (2134)	102 1/4" (2597.2)
50 7/8" (1292.2)	53 1/2" (1358.9)	47 1/4" (1200.2)	91" (2311.4)	84" (2134)	108" (2743.2)
KEY	C+2 5/8" (C+66.7)	C-3 5/8" (C-92.1)	R.O.H.+7" (DFH-7)	DFH-7" (DFH-177.8)	2C+6 1/4" 2C+(158.8)

DFW NOTE: CONSULT FACTORY FOR EXTENDED HEADERS.

STD. GLASS SIZE KEY*	WIDTH	HEIGHT
C-2 1/4" (C-57.2)	1 1/4" (31.8)	15 7/8" (403.2)

* NARROW STILE RAILS W/ 1/4" GUTTER, NO MUTTINGS BASED ON MASONRY OPENING



DWG NO. 1009872	DATE 11/9/12	CHK BY SS	DATE 11/14/12	REV 4.0	DATE 8/22/16
DRN BY CLW					