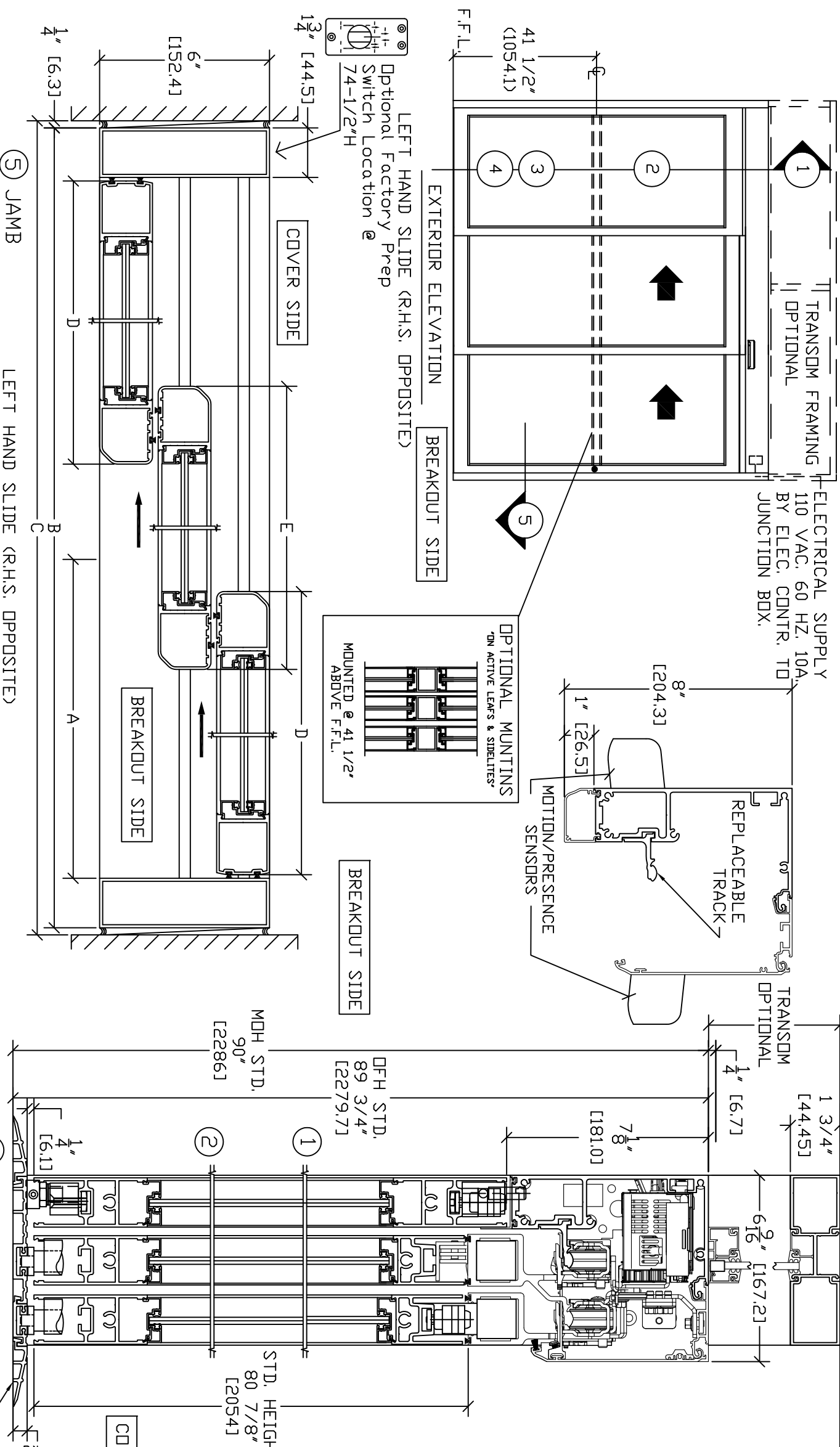


## BESAM SL500

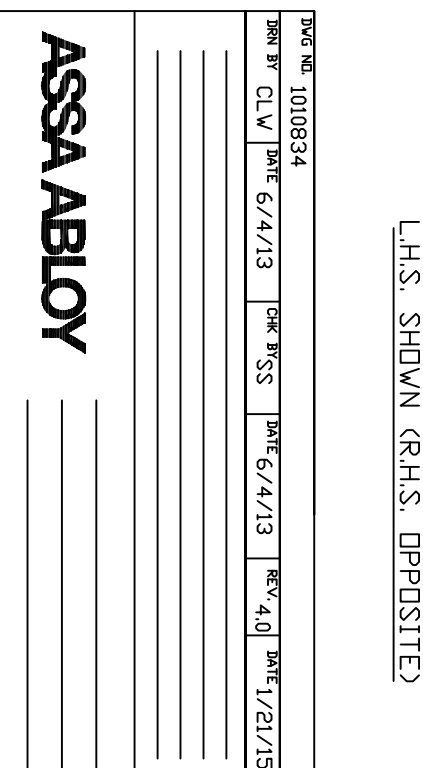
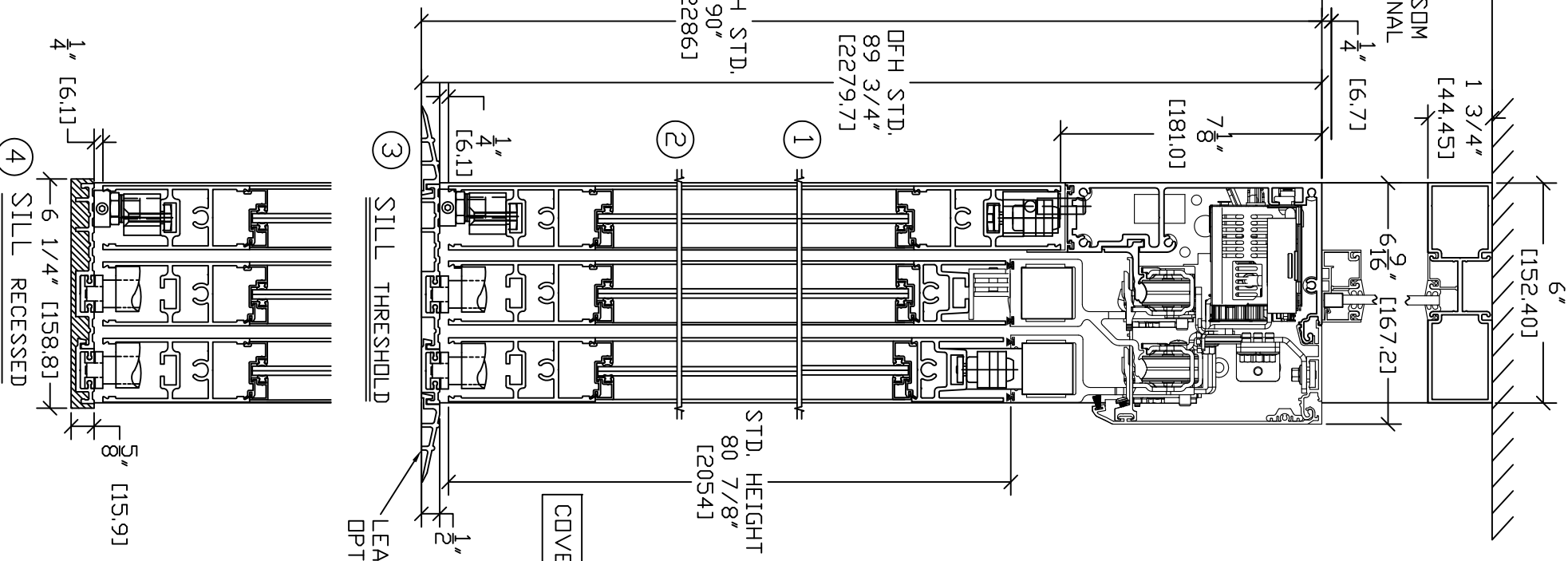
CONCEALED, FULL BREAKOUT, SINGLE SLIDE  
 TELESCOPIC SLIDING DOOR SYSTEM



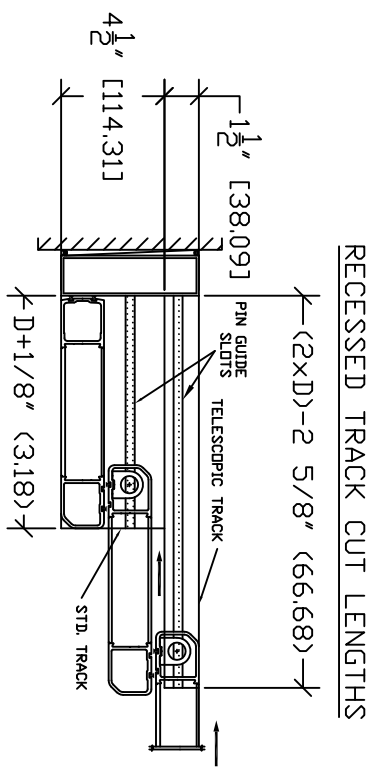
SL500 DHC	DOOR OPENING A	OVERALL FRAME WIDTH B	MASONRY OPENING WIDTH C	ACTIVE & SIDELITE LEAF WIDTH D & E
6'	36 7/16" (925.5)	72" (1828.8)	72 1/2" (1841.5)	24 9/16" (623.9)
7'	44 7/16" (1128.7)	84" (2133.6)	84 1/2" (2146.3)	28 9/16" (725.5)
8'	52 7/16" (1331.9)	96" (2438.4)	96 1/2" (2451.1)	32 9/16" (827.1)
9'	60 7/16" (1535.1)	108" (2743.2)	108 1/2" (2755.9)	36 9/16" (928.7)
10'	68 7/16" (1738.3)	120" (3048)	120 1/2" (3060.7)	40 9/16" (1030.3)
11'	76 7/16" (1941.5)	132" (3352.8)	132 1/2" (3365.5)	44 9/16" (1131.9)
12'	84 7/16" (2144.7)	144" (3657.6)	144 1/2" (3670.3)	48 9/16" (1233.5)
KEY	(2B/3)-11 9/16" (28/3)-293.7)	(C-1/2") (C-12.7)	(B+1/2") (B+12.7)	(B/3)+9/16" (B/3)+(14.3)

STD. GLASS SIZE KEY*	WIDTH - 'D' & 'D'	HEIGHT
WIDTH - 'E'	(B/3)-4 1/4" (B/3)-(107.95)	DFH-15 7/8" DFH-(403.2)
HEIGHT	(B/3)-4 3/8" (B/3)-(111.13)	

\* NARROW STILE RAILS W/ 1/4" GUTTER, NO MUNTINS



VIEW FROM BREAKOUT SIDE  
 L.H.S. SHOWN (R.H.S. OPPOSITE)



RECESSED TRACK CUT LENGTHS  
 (2x D) - 2 5/8" (66.68)

NOTE: THE STANDARD PACKAGE CONSISTS OF: THE AUTOMATIC OPERATOR & WEATHERSTRIP, FRAMES, DOORS & SIDELITES WITH VERTICAL WEATHERSTRIP, EMERGENCY BREAKAWAY, 2-POINT LOCK, OPTIONAL POSITION SWITCHES (DIGITAL (3 OR 5) OR KEY (5)), OFF-EXIT ONLY-AUTO-REDUCED OPENING-HOLD OPEN OR OFF, AUTO, HOLD OPEN), MOTION/PRESENCE SENSORS.

STANDARD FINISH: CLEAR- AA-M12C22A41, CLASS 1, .018 MM. DARK BRONZE- AA-M12C22A44, CLASS 1, .018 MM.

SPECIAL FINISHES ARE AVAILABLE. THIS PACKAGE WILL ACCEPT UP TO 1"(25.4) INSULATED GLASS. GLASS OVER 1/4" WILL REQUIRE THE HEADER TO BE SUPPORTED FROM ABOVE.

NOTE: DRAWING IS DIMENSIONED IN BOTH ENGLISH AND METRIC REF. AS FOLLOWS 1" (25.4) ALL METRIC SIZES ARE MILLIMETERS. FOR MAXIMUM CURRENT DRAW PER OPERATOR, SEE PRODUCT SPECIFICATION, INSTALLATION INSTRUCTIONS, OR THE UL LABEL ON THE EQUIPMENT.

REFER TO RELEVANT LOCAL, STATE, NATIONAL OR AHD BUILDING CODE FOR MIN DOOR HEIGHT & MIN/MAX WIDTH ALLOWABLE FOR EGRESS REQUIREMENT IN CONJUNCTION WITH TABLE BELOW.

DRW BY	CLW	DATE	CHK BY	SS	DATE	REV	DATE
		6/4/13			6/4/13	4.0	1/21/15